



***TC470 SERIES WINDOW WALL SYSTEM***

# TC-470 SERIES

## TC-470 SERIES THERMAL/IMPACT 2 1/4" X 4 1/2" WINDOW WALL SYSTEM

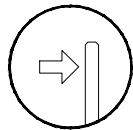


Penthouse at The Plaza Luxury Condominiums, Fort Lee, NJ

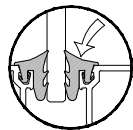
MULTIPLE CONFIGURATIONS AVAILABLE

VISIT OUR WEBSITE AT: [WWW.ARCADIAINC.COM](http://WWW.ARCADIAINC.COM) FOR THE FOLLOWING:

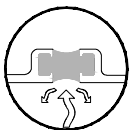
Product Specifications (PDF) • Elevations & Plan Details (PDF & DWG) • Product Warranty Information (PDF) • Maintenance & Cleaning Guidelines (PDF) • Product Installation Manuals (PDF)



Offset Glazed



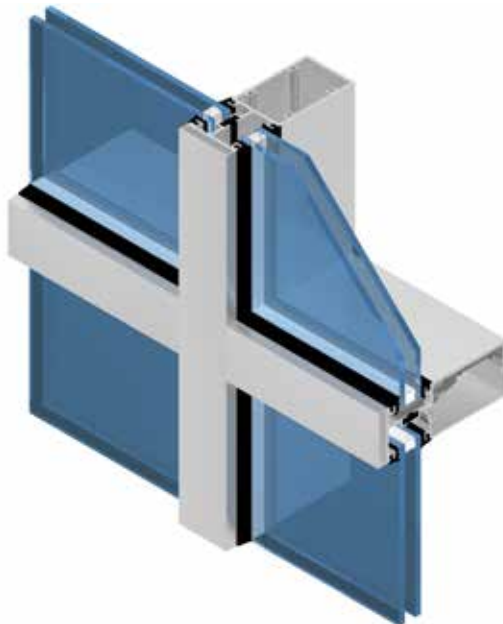
Top Load



Thermal



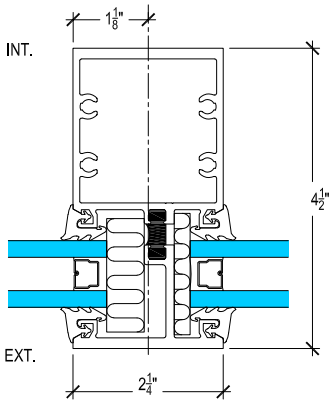
Impact



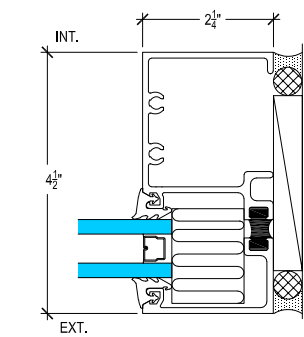
# TC-470 SERIES

## FEATURES AND OPTIONS

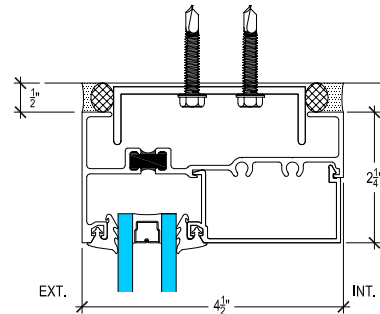
- Can be made to meet impact rated hurricane codes - optional
- Tested performances for hurricane impact resistant - ASTM 1886/1996
- Low air & water infiltration performance
- 2 ¼" x 4 ½" depth frame - versatile window wall system
- 4 ½" square 2-pc snap in tube available for mulling sections together in line and at 90 degree angles
- Set up for interior glazing - can accommodate 1", 1 ⅛" or 1 ½" insulated glass
- Unlimited configuration options to accommodate any combination of fixed & operable windows
- Male-Female Jamb members to accommodate sections of window wall being mulled together
- Extruded - custom designed sub sills available to accommodate this system
- Ideal for slab to slab installations - high structural & water performance
- Installation videos available on [YouTube](#) search under "Arcadia Door"
- Stock finishes - dark bronze or satin clear anodized - class 1 - standard
- Duranar or Valspar finish or other anodized finish - optional
- Can be made to meet impact rated hurricane codes - optional



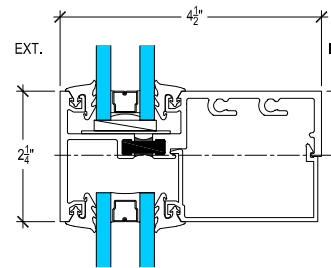
VERTICAL



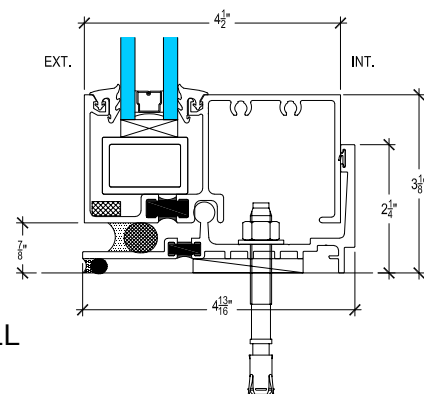
JAMB



HEAD



HORIZONTAL



SILL

FEATURES





**Architectural Products - East**

60 Bonner Street  
Stamford, CT 06902  
Ph 203-316-8000  
Fx 203-316-8200  
[east@arcadiainc.com](mailto:east@arcadiainc.com)

**Architectural Products - West**

5190 South Santa Fe Ave.  
Vernon, CA 90058  
Ph 323-908-5467  
Fx 323-908-5547  
[west@arcadiainc.com](mailto:west@arcadiainc.com)



4 Seasons Resort, Orlando, FL - HKS Architects



**arcadia**  
www.arcadiainc.com

LEEDS CERTIFIED



HURRICANE IMPACT RESISTANT  
DOORS & WINDOWS

FIND US / LIKE US ON



Shelter Island, NY - Stelle Lomont Rouhani Architects