

LCN 2030 SERIES

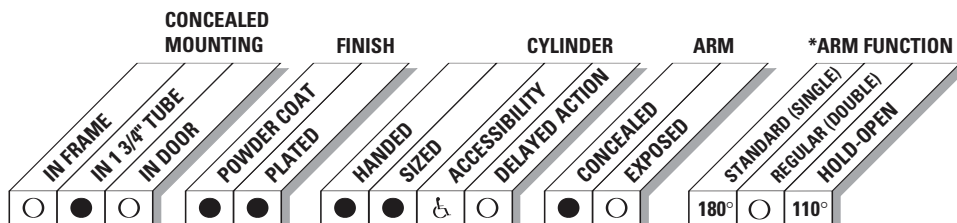
CONCEALED (IN 1 3/4" HEADER) MOUNTING



The concealed 2030 Series PACER[®] is a heavy duty closer designed to fit in a narrow, minimum 1 3/4" aluminum transom. The single lever arm and roller assembly provide smooth, quiet door control and the choice of finishes and track functions meet virtually all architectural requirements.

The 2030 Series is UL & cUL listed for self-closing doors, without hold-open. Tested and certified under ANSI Standard A156.4, grade 1.

- ▶ Standard 2030 series closer shipped with standard arm, standard track, mounting/finish plate, and wood and machine screw pack. See 2030 Series page 13 & 14 for options.
- ▶ Sized cylinders for interior doors to 4'6" and exterior doors to 3'6".
- ▶ Handed for right or left swinging doors.
- ▶ Aluminum frame requires minimum 1 3/4" (44 mm) x 4" (102 mm) tube.
- ▶ Closers to meet ADA requirements. See 2030 Series page 15.
- ▶ Standard or optional custom powder coat finish.
- ▶ Optional plated finish on arm, fasteners and finish plate.



- Available
- Not available

♿ Closer available with less than 5.0 lbs. opening force on 36" door.

*Maximum opening/hold-open point with standard template. See individual closer series for degrees of opening per installation.

LCN 2030 SERIES

MOUNTING DETAILS

CONCEALED MOUNTING

For interior or exterior doors.
Single acting cylinder in head frame.
Concealed arm and track in door top rail.

MAXIMUM OPENING

Butt hinge template allows 180°, trim permitting.
Limited to 110° when optional bumper is installed.
Adjustable hold-open points from 85° to 110°, with hold-open track.

Consult factory if door will be held open at 180°

Offset pivot template allows 115°, trim permitting.
Limited to 95° when optional bumper is installed.
Hold-open point 85° with hold-open track.

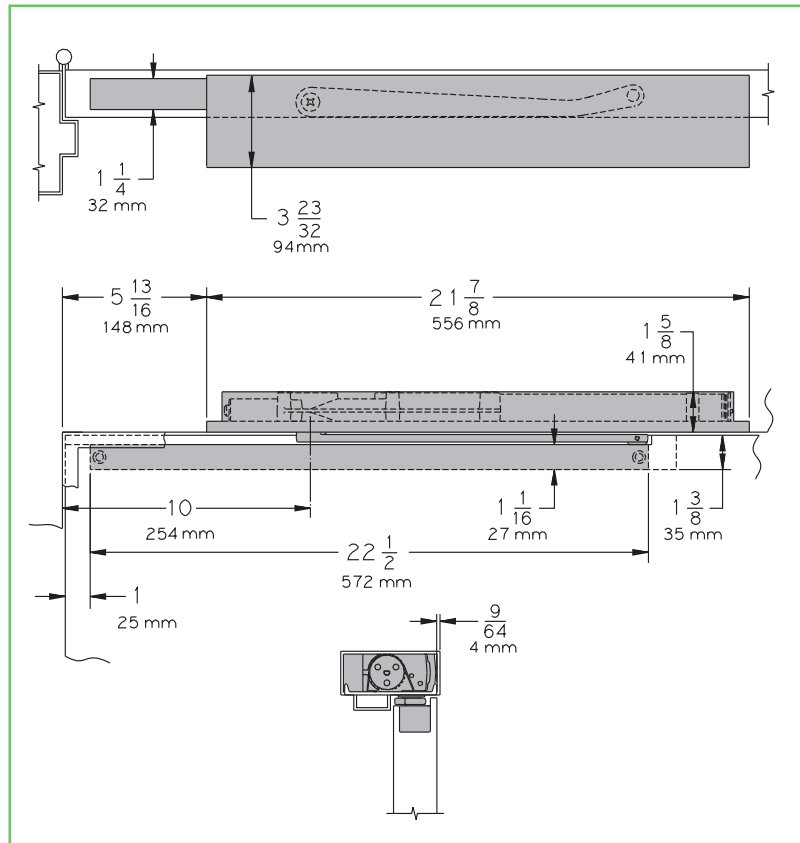
Center pivot template allows 120°, trim permitting.
Limited to 100° when optional bumper is installed.
Adjustable hold-open points from 85° to 100°, with hold-open track.

Options

- ▶ Standard track with Bumper
- ▶ Hold-open track
- ▶ Hold-open track with Bumper
- ▶ Fire Shield

Special Templates

Customized installation templates or products may be available to solve unusual applications. Contact LCN for assistance.



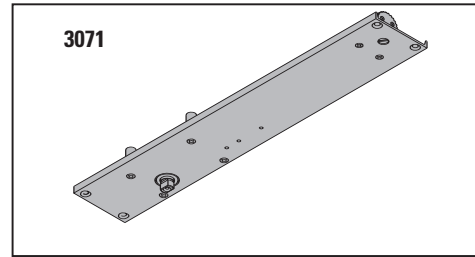
- ▶ **Butt Hinges** should not exceed 5" (127 mm) in width.
- ▶ **Auxiliary Stop** is recommended where a door cannot swing 180°. Optional track bumper assembly assists backcheck in cushioning the opening swing of the door. It is not intended to replace an auxiliary stop.
- ▶ **Top Rail** 1 3/8" (35 mm) mortise required.
With Fire Shield, 1 13/32" (36 mm) mortise required.
5/16" (8 mm) cutout required at top of the door, stop face only.
- ▶ **Door Thickness** 1 3/4" (44 mm) minimum.
- ▶ **Hollow Metal Frame** Consult factory for installation instructions.
- ▶ **Wood Frame** installation simplified by WOOD MOUNTING CLIP SET 2030-416 for center pivoted or 2030-417 for offset pivoted and butt hung installations. Consult factory for preparation details.

LCN 2030 SERIES

CYLINDERS

CYLINDER, 2030-3071

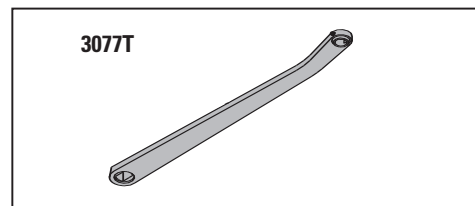
Standard, handed, cast iron cylinder assembly with mounting plate. For various applications see "Table of Sizes" on 2030 Series page 15



ARM

STANDARD ARM, 2030-3077T

Handed arm.
Track roller not included with arm.



TRACKS

STANDARD TRACK, 2030-3038

Standard, non hold-open, non-handed track.
Will accept hold-open clip and/or bumper assembly.

STANDARD TRACK with BUMPER, 2030-3038B

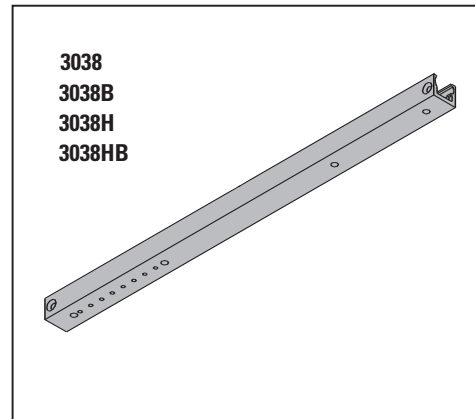
Optional, non hold-open, non-handed track with bumper.
Will accept hold-open clip.

HOLD-OPEN TRACK, 2030-3038H

Optional, non-handed hold-open track.
Will accept bumper assembly.

HOLD-OPEN TRACK with BUMPER, 2030-3038HB

Optional, non-handed hold-open track with bumper.

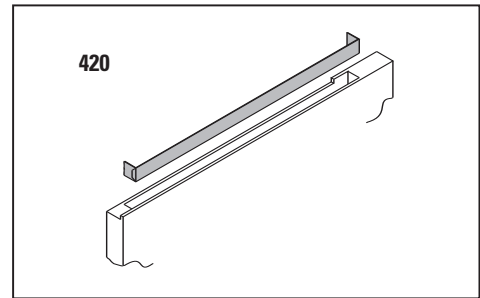


LCN 2030 SERIES

INSTALLATION ACCESSORIES

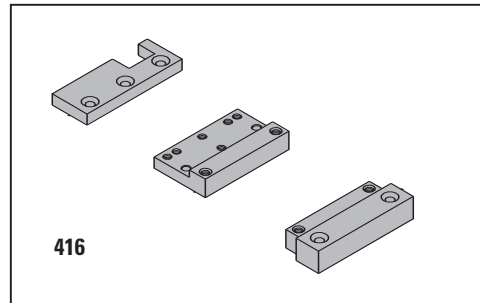
FIRE SHIELD, 2030-420

22 gauge steel liner mounts in the track mortise of the door's top rail for 20 minute labeled wood doors.



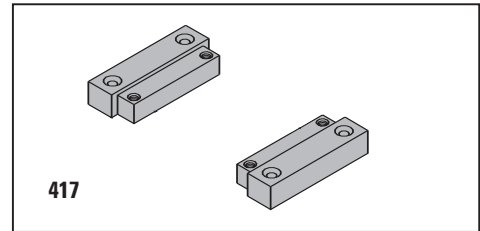
WOOD MOUNTING CLIP SET, 2030-416

Simplifies mounting center pivoted 2030 closer in wood frame. Includes latch stile clip, hinge stile clip, and cover. For use with Ives Series center pivots. Consult factory for special template.



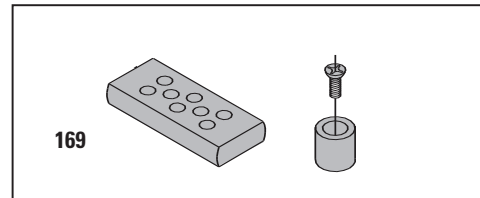
WOOD MOUNTING CLIP SET, 2030-417

Simplifies mounting offset pivoted or butt hung 2030 closer in wood frame. Includes two clips. For use with offset pivots.



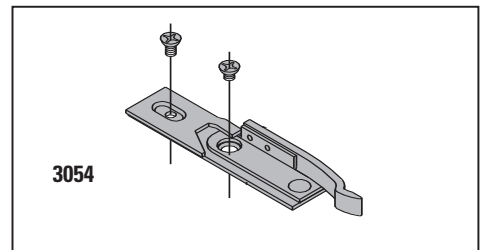
TRACK BUMPER, 2030-169

Mounts in track to assist backcheck. Limits maximum opening. Consists of bumper, bumper post, and mounting screw.
NOTE: Track bumper does not replace auxiliary stop.



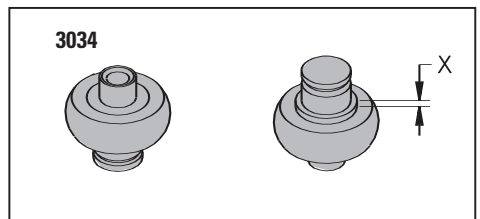
HOLD-OPEN CLIP, 2030-3054

Mounts in track to provide hold-open function. Hold-open point controlled by clip location.



TRACK ROLLER, 2030-3034

Quiet, low friction roller assembly. Shoulder dimension "X" = 1/16" (2mm).

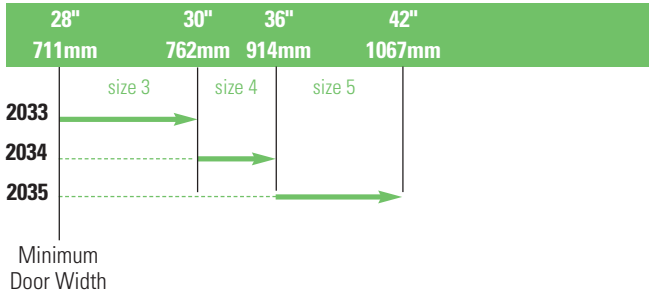


LCN 2030 SERIES

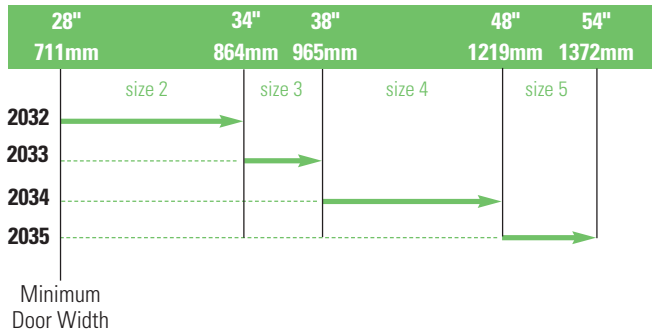
TABLE OF SIZES Select closer based on width of door.
 2030 Series cylinders available in size 1, 2, 3, 4, or 5.
 Closing power of all 2030 Series closers may be increased 35%.
 Specify next higher size closer where strong drafts exist.

→ Indicates recommended range of door width for closer size.

EXTERIOR (and VESTIBULE) DOOR WIDTH




INTERIOR DOOR WIDTH



REDUCED OPENING FORCE 2030 CLOSERS

CAUTION! Any manual door closer, including those certified by BHMA to conform to ANSI Standard A156.4, that is selected, installed and adjusted based on ADA or other reduced opening force requirements may not provide sufficient power to reliably close and latch a door.

Refer to POWER OPERATORS section for information on systems that meet reduced opening force requirements without affecting closing power.

	DOOR WIDTH	36"	42"	48"
	8.5* lbs.	2033	2033	2034
	5.0* lbs.	2031	2032	2032

* Maximum opening force

**HOW-TO-ORDER
 2030 SERIES CLOSERS**

1. SELECT CYLINDER SIZE

- 2031(ADA)
- 2032
- 2033
- 2034
- 2035

2. SPECIFY HAND

- RH
- LH

3. SPECIFY FINISH

- Standard Powder Coat _____
 Aluminum, Dark Bronze, Statuary,
 Light Bronze, Black, Brass.

Closer will be shipped with:

- STANDARD ARM,
- TRACK ROLLER,
- STANDARD TRACK,
- WOOD and MACHINE SCREW PACK,
 unless options listed below are selected.

CLOSER OPTIONS

TRACK

- Standard with Bumper (BUMPER)
- Hold-open (H)
- Hold-open with Bumper (HBUMPER)

FINISHES

- Custom Powder Coat (RAL) _____
- Plated Finish, US _____

SCREW PACK

- TORX Machine Screw (TORX)

INSTALLATION ACCESSORIES

- Fire Shield, 2030-420
- Wood Clip Set, 2030-416
- Wood Clip Set, 2030-417

SPECIAL TEMPLATE

- ST- _____