

X-Series PEMKO Hinge

NEW!

- Thicker leaves than traditional continuous geared hinge and requires no additional clearance
- New X-Series hinge allows for a deeper cavity for electrical wires when ordering an electrified hinge

Full Mortise

XM_

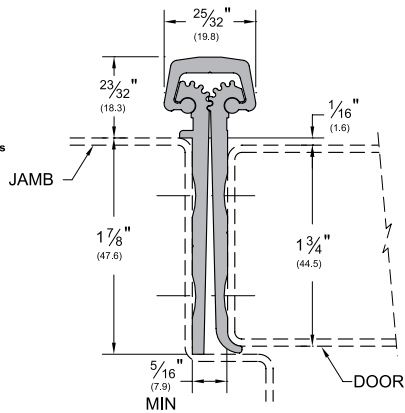
AVAILABLE FINISHES: C, D



BHMA
CERTIFIED



LISTED
Door Hinges
76Y2



Full Mortise for 2 1/2" Thick Door

- Wider hinge leaves to accommodate doors 2 1/2" thick

X25M_

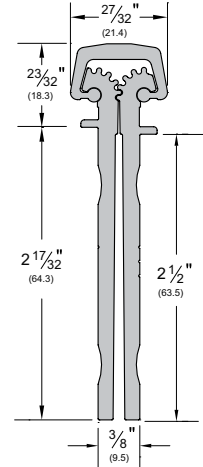
AVAILABLE FINISHES: C, D



BHMA
CERTIFIED



LISTED
Door Hinges
76Y2



Short Leaf Flush

XF_

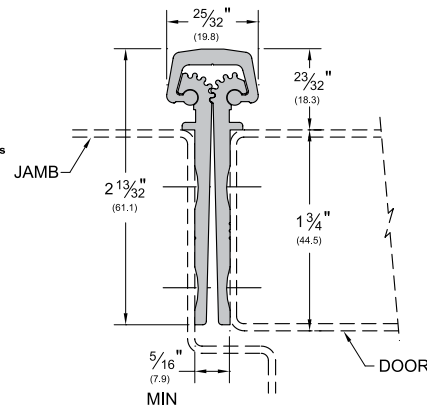
AVAILABLE FINISHES: C, D



BHMA
CERTIFIED



LISTED
Door Hinges
76Y2



Short Leaf Inset

- Wider hinge leaves to accommodate doors 2 1/2" thick

XI_

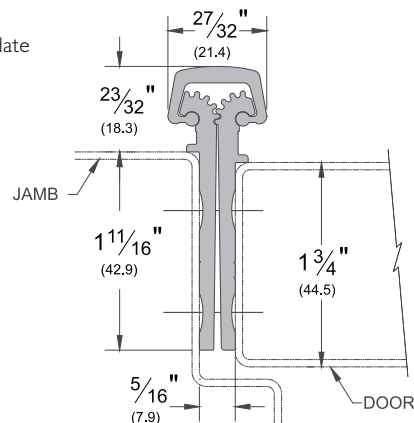
AVAILABLE FINISHES: C, D



BHMA
CERTIFIED



LISTED
Door Hinges
76Y2



AVAILABLE FINISHES FOR PRODUCTS SHOWN ON THIS PAGE (see General Information section for finish chart)
C (Clear Anodized) D (Dark Bronze Anodized)

Offset Hinges

NEW!

- Used when the door needs to swing out of the opening

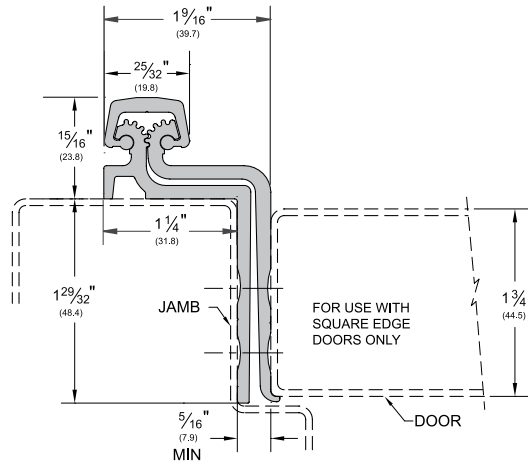
Offset Full Mortise

_OS_FM

AVAILABLE FINISHES: C, D



LISTED
Door Hinges
76Y2



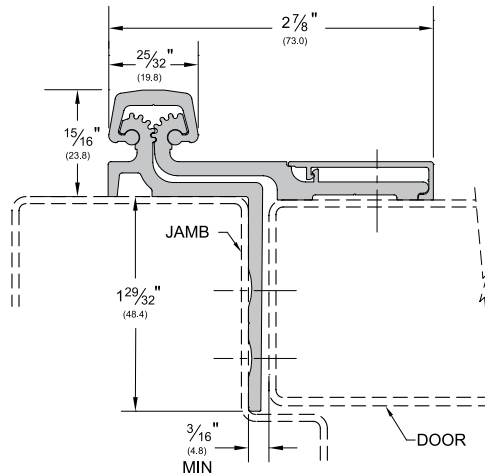
Offset Half Surface

_OS_HS

AVAILABLE FINISHES: C, D



LISTED
Door Hinges
76Y2



AVAILABLE FINISHES FOR PRODUCTS SHOWN ON THIS PAGE (see General Information section for finish chart)
C (Clear Anodized) D (Dark Bronze Anodized)

Full-Mortise Hinges

- Full-Mortise units are designed mainly for new door applications and are applied to the frame rabbet and door face to conceal both leaves

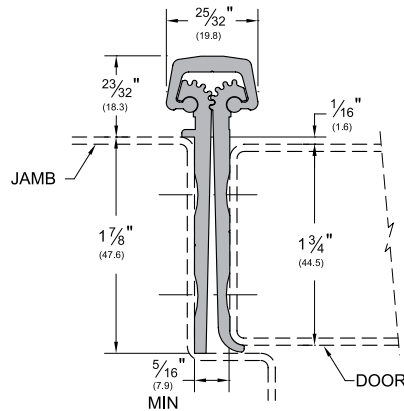
Full Mortise

_FM

AVAILABLE FINISHES: BL, C, D, G, PW, SN



LISTED
Door Hinges
76Y2



Full Mortise Short Leaf Inset

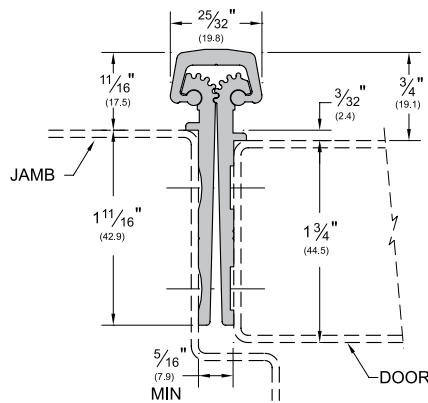
- Designed for use with doors which range between 1 3/4" to 2 1/4"
- Designed for use with hollow metal frames where the inset conforms to S.D.I. specifications for aligning doors and frames

_FM_SLI

AVAILABLE FINISHES: BL, C, D, G, PW, SN



LISTED
Door Hinges
76Y2



Full Mortise Short Leaf Flush

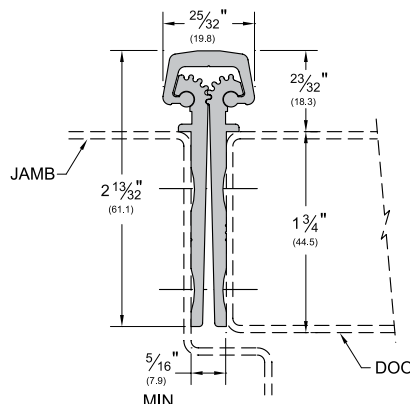
- Designed for use with doors which range between 1 3/4" to 2 1/4"
- Also used for bifold applications to keep the faces of the doors flush (not illustrated)

_FM_SLF

AVAILABLE FINISHES: BL, C, D, G, PW, SN



LISTED
Door Hinges
76Y2



AVAILABLE FINISHES FOR PRODUCTS SHOWN ON THIS PAGE (see General Information section for finish chart)
C (Clear Anodized) D (Dark Bronze Anodized) SN (Satin Nickel Anodized)
BL (Black Anodized) and PW (Painted White) are special finishes available upon request.