



42" A.F.F. TO CENTER OF PUSH/PULL
34" TO CENTER OF LOCKSET

235L Series

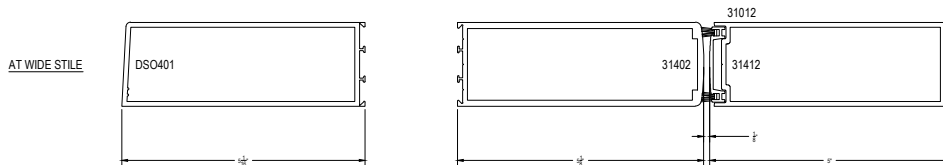
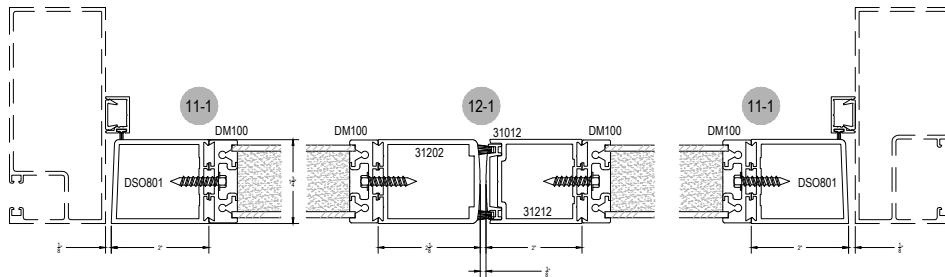
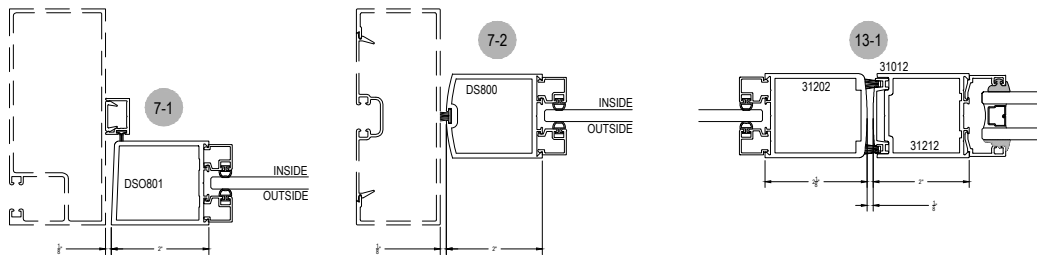
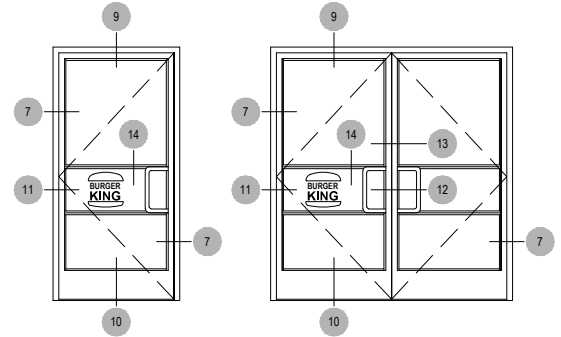
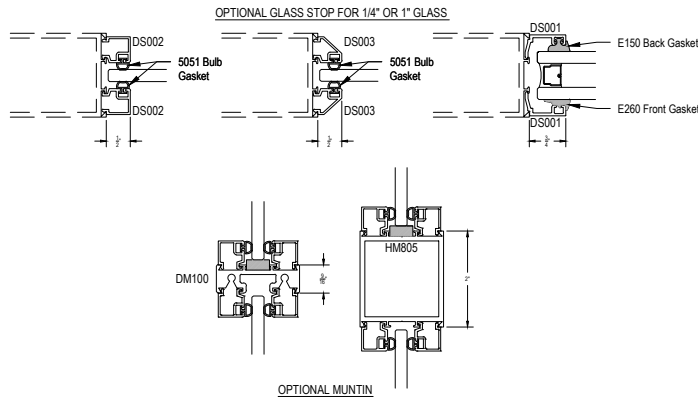
Description: Logo Panel - Offset/Center Door

Function: Entrance

Detail: All

Scale: 3" = 1'-0"

SHEET 1 OF 2





42" A.F.F. TO CENTER OF PUSH/PULL
34" TO CENTER OF LOCKSET

235L Series

Description: Logo Panel - Offset/Center Door

Function: Entrance

Detail: All

Scale: 3" = 1'-0"

SHEET 2 OF 2

