



42" A.F.F. TO CENTER OF PUSH/PULL
34" TO CENTER OF LOCKSET

235X Series

Description: Midrail Exit Panel - Offset/Center Door

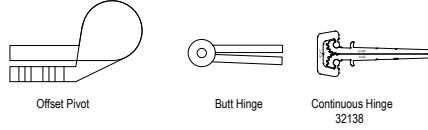
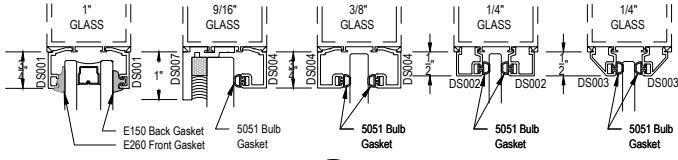
Function: Entrance

Detail: All

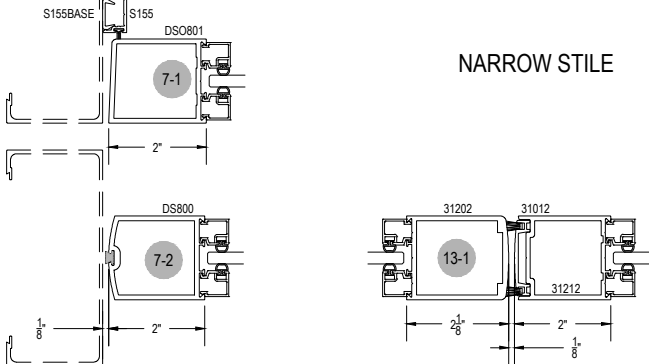
Scale: 3" = 1'-0"

SHEET 1 OF 2

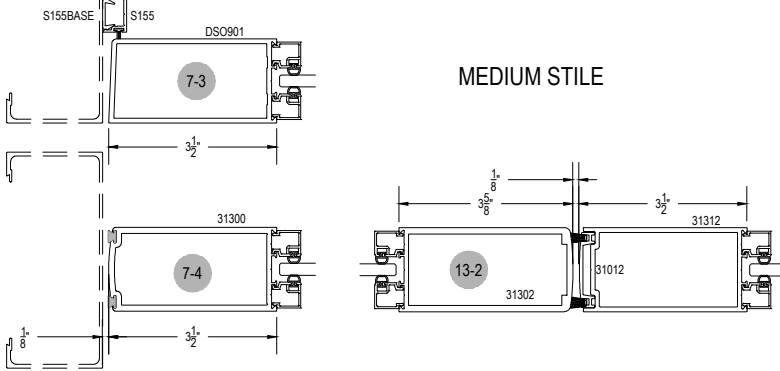
OPTIONAL GLASS STOP FOR 1/4" OR 1" GLASS



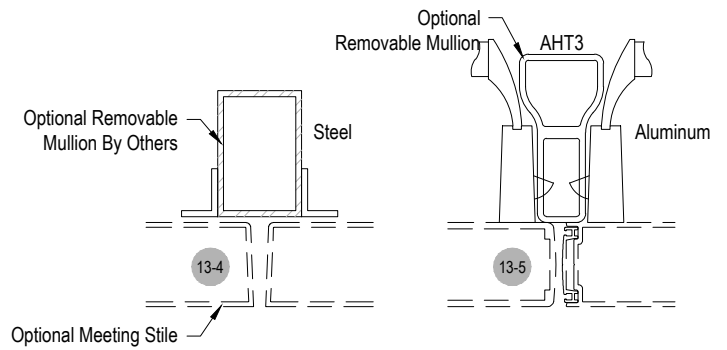
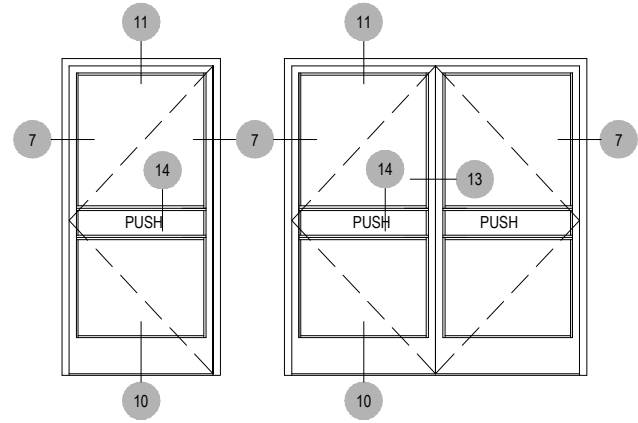
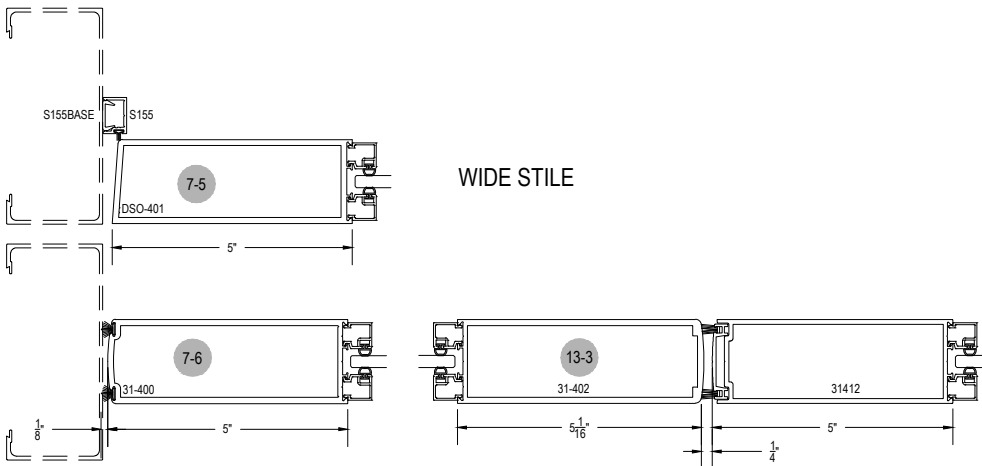
NARROW STILE



MEDIUM STILE



WIDE STILE





42" A.F.F. TO CENTER OF PUSH/PULL
34" TO CENTER OF LOCKSET

235X Series

Description: Midrail Exit Panel - Offset/Center Door

Function: Entrance

Detail: All

Scale: 3" = 1'-0"

SHEET 2 OF 2

