

TD400 Series

Description: Terrace Door

Function: Entrances

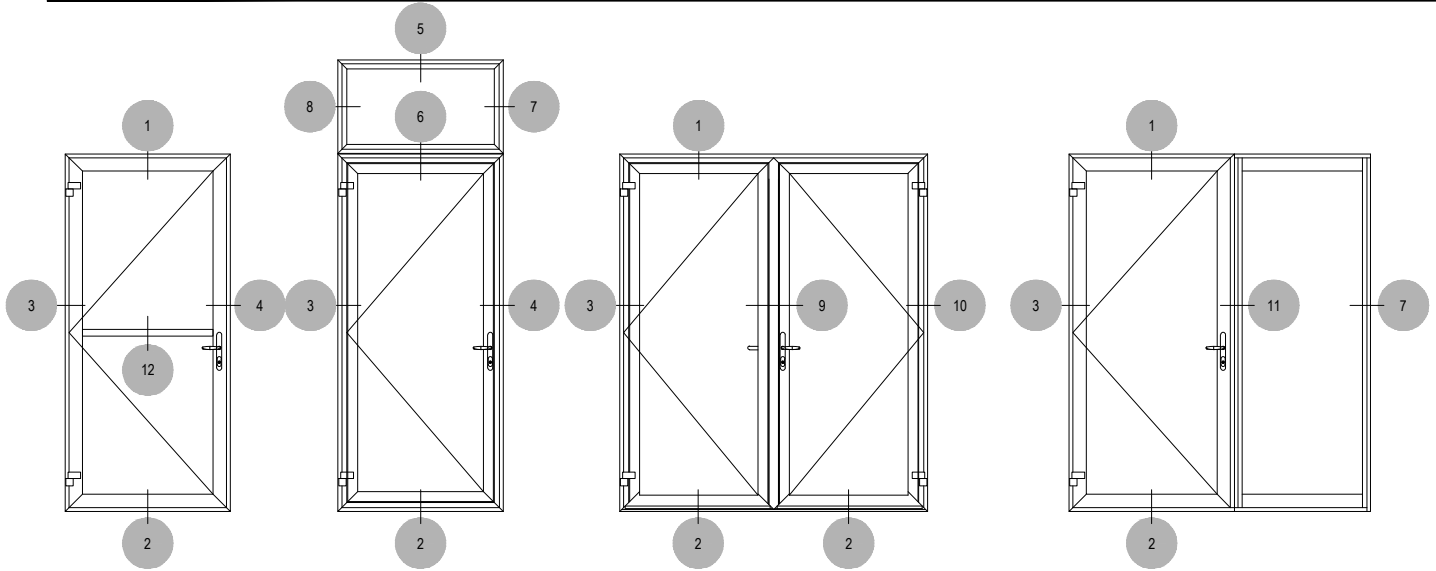
Detail: ALL

Scale: 3" = 1'-0"

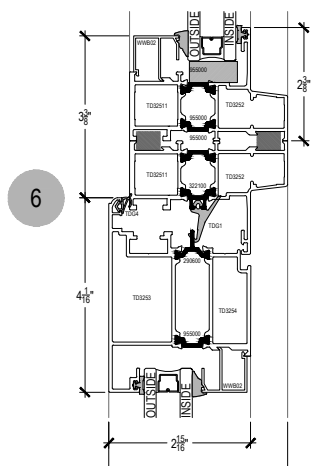
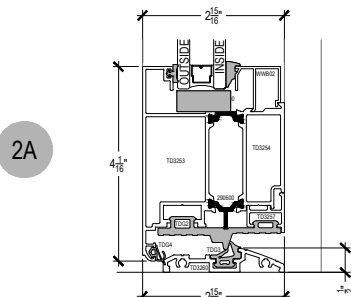
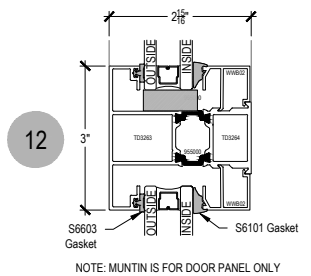
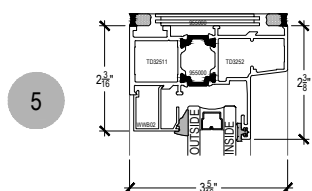
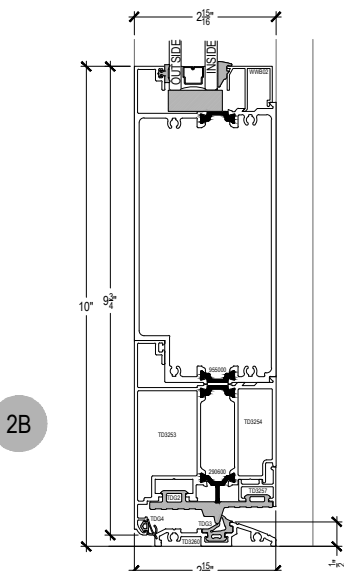
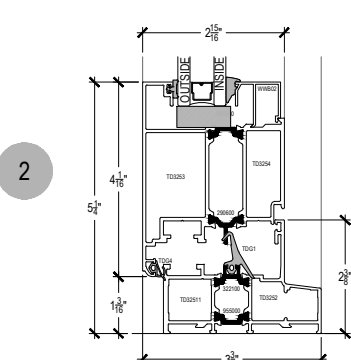
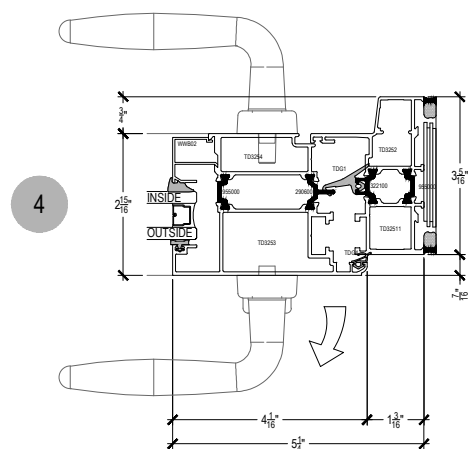
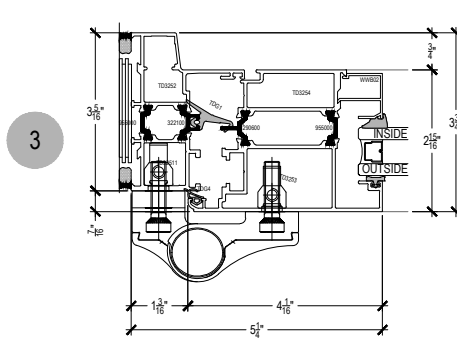
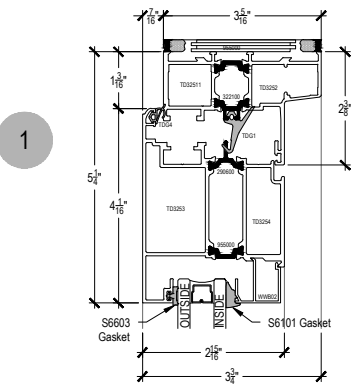
42" A.F.F. TO CENTER OF PULL/PUSH

34" TO CENTER OF LOCKSET

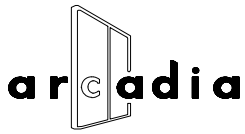
SHEET 1 OF 4



EXTERIOR ELEVATION
N.T.S.



* PLEASE NOTE: A THIRD DOOR HINGE MAY BE REQUIRED DEPENDING ON DOOR LEAF WEIGHT, ADVISE DOOR DEPARTMENT *



TD400 Series

Description: Terrace Door

Function: Entrances

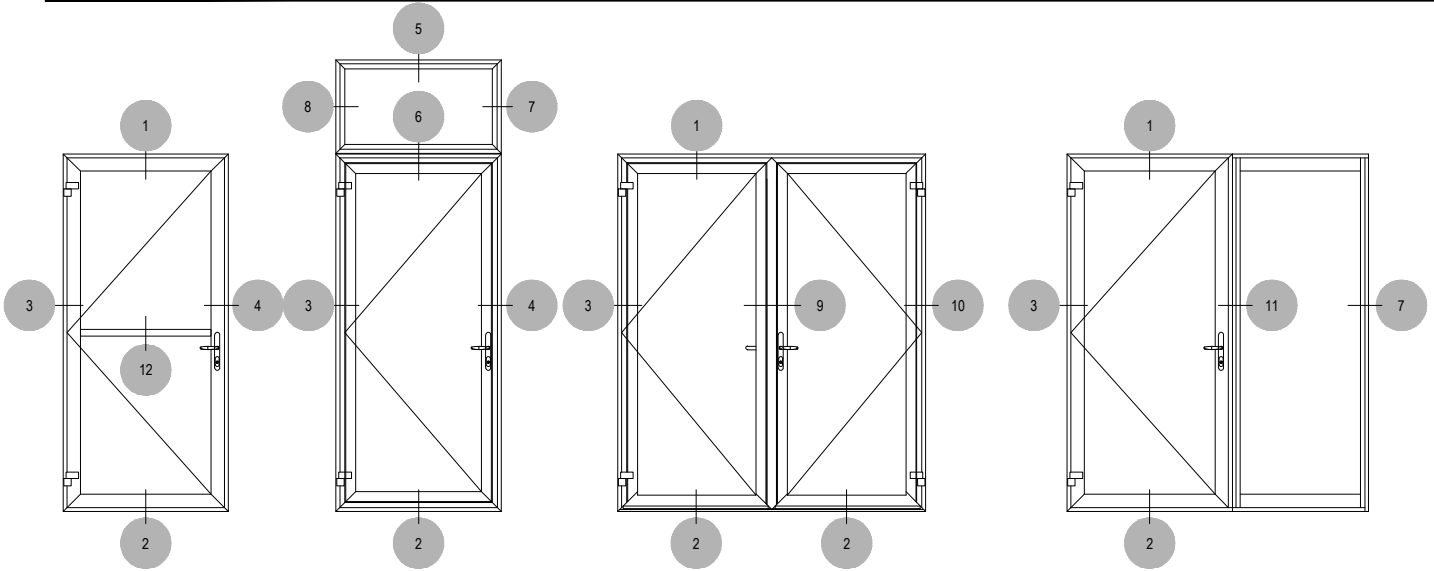
Detail: ALL

Scale: 3" = 1'-0"

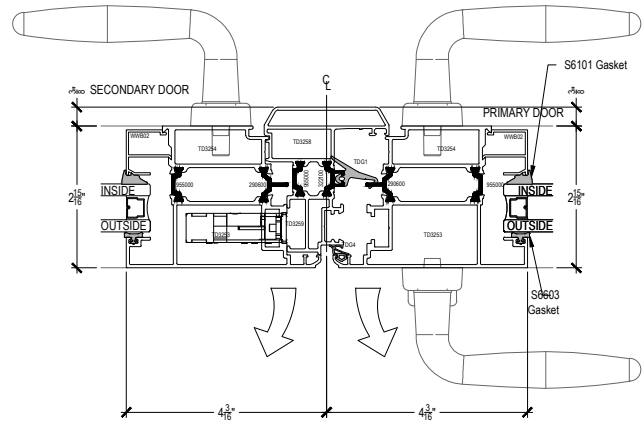
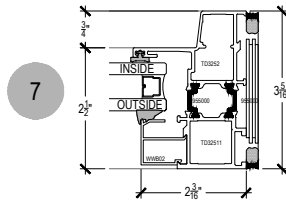
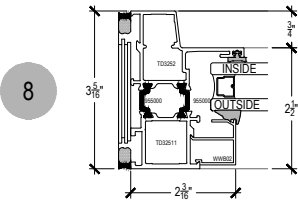
42" A.F.F. TO CENTER OF PULL/PUSH

34" TO CENTER OF LOCKSET

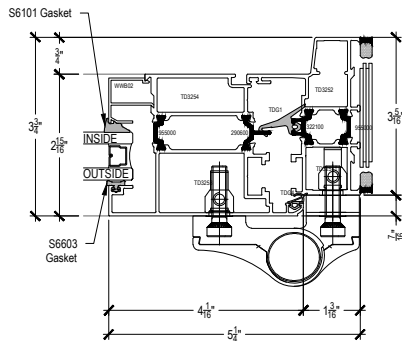
SHEET 2 OF 4



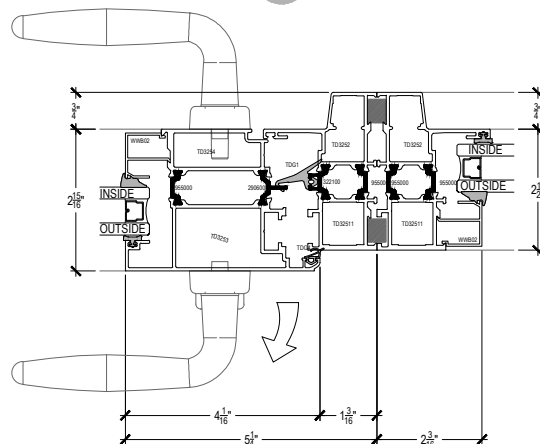
EXTERIOR ELEVATION
N.T.S.



9

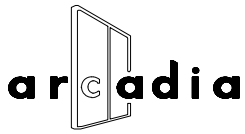


10



11

* PLEASE NOTE: A THIRD DOOR HINGE MAY BE REQUIRED DEPENDING ON DOOR LEAF WEIGHT, ADVISE DOOR DEPARTMENT *



TD400 Series

Description: Terrace Door

Function: Entrances

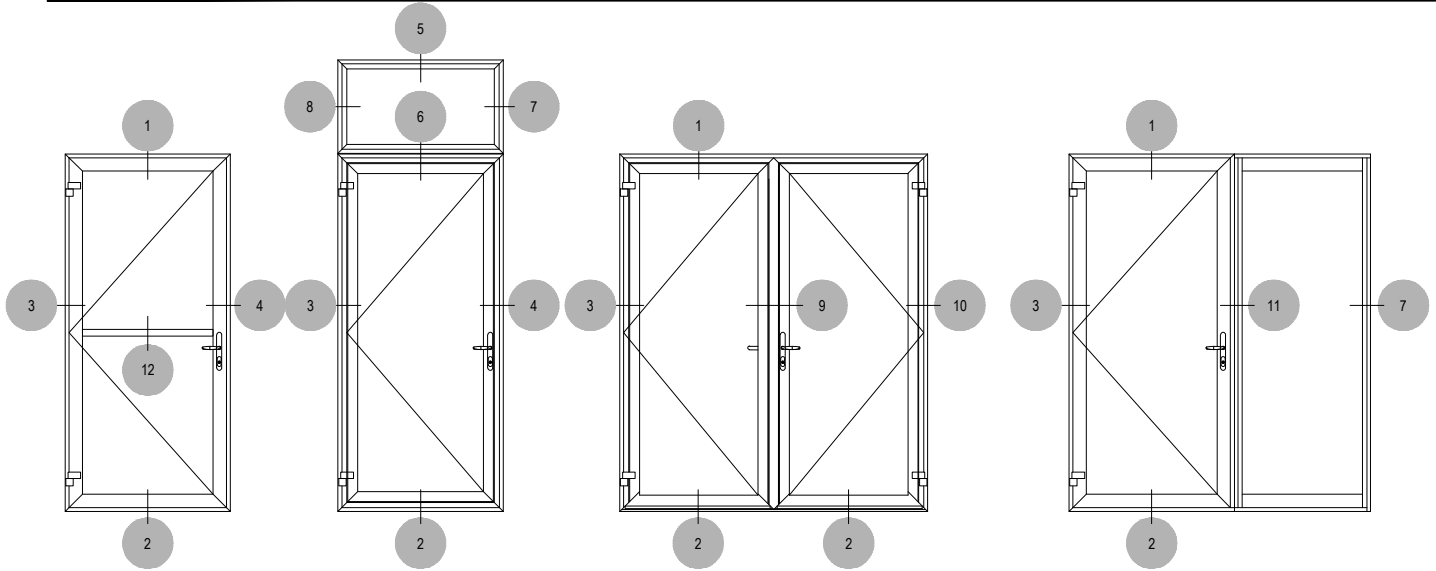
Detail: ALL

Scale: 3" = 1'-0"

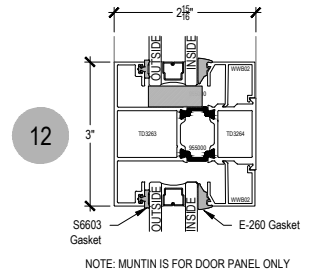
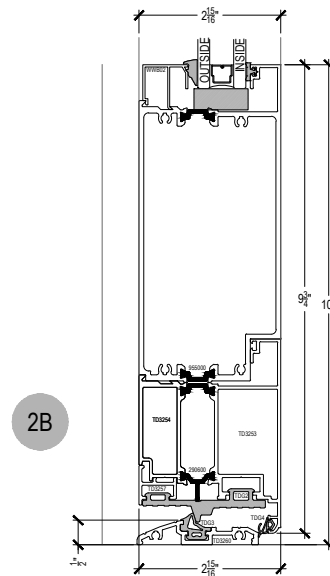
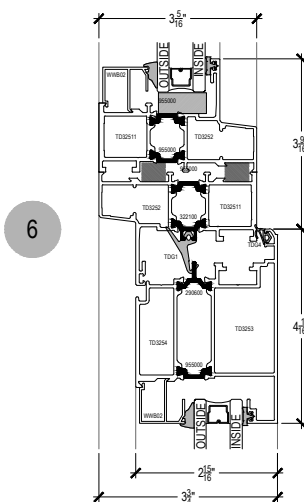
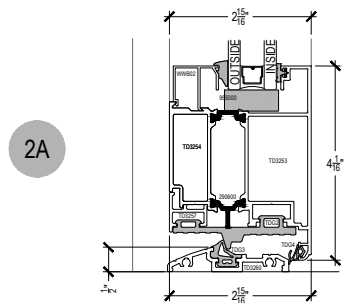
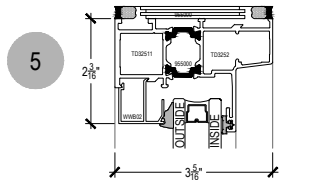
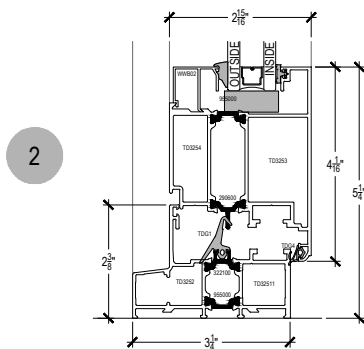
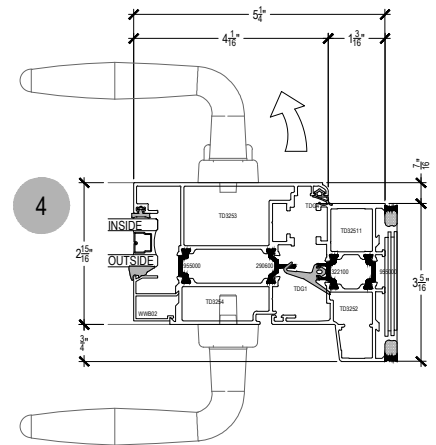
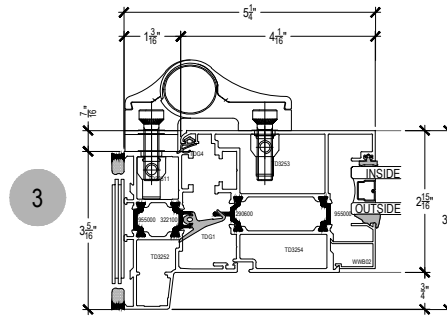
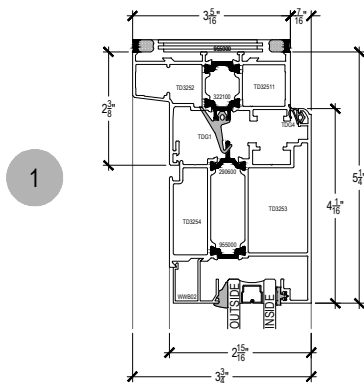
42" A.F.F. TO CENTER OF PULL/PUSH

34" TO CENTER OF LOCKSET

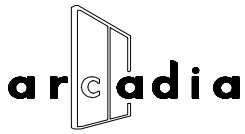
SHEET 3 OF 4



EXTERIOR ELEVATION
N.T.S.



* PLEASE NOTE: A THIRD DOOR HINGE MAY BE REQUIRED DEPENDING ON DOOR LEAF WEIGHT, ADVISE DOOR DEPARTMENT *



TD400 Series

Description: Terrace Door

Function: Entrances

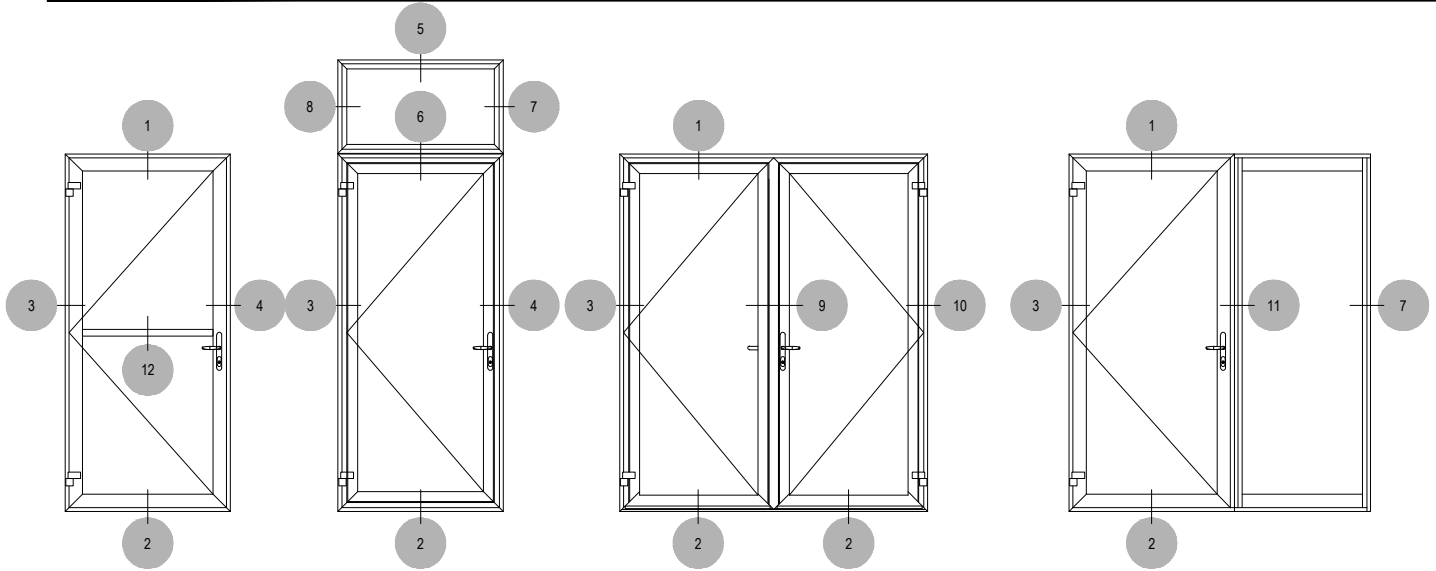
Detail: ALL

Scale: 3" = 1'-0"

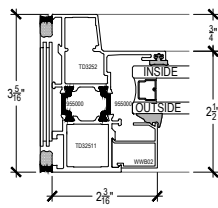
42" A.F.F. TO CENTER OF PULL/PUSH

34" TO CENTER OF LOCKSET

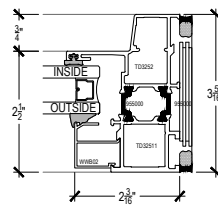
SHEET 4 OF 4



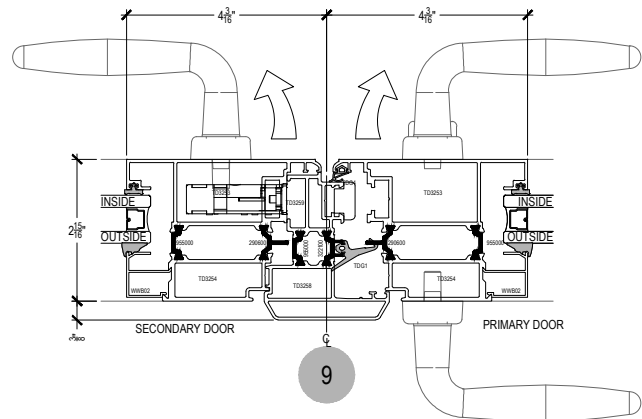
EXTERIOR ELEVATION
N.T.S.



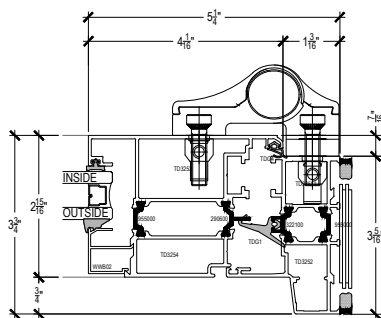
8



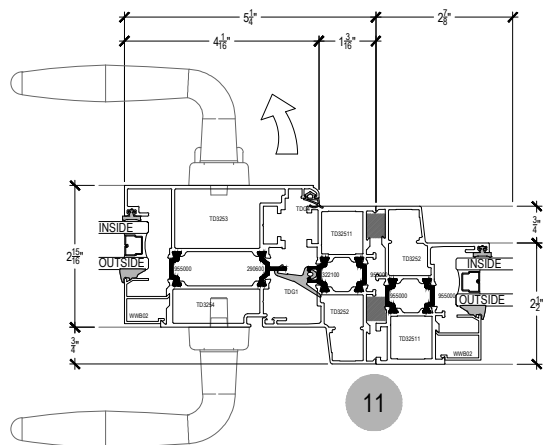
7



9



10



11

* PLEASE NOTE: A THIRD DOOR HINGE MAY BE REQUIRED DEPENDING ON DOOR LEAF WEIGHT, ADVISE DOOR DEPARTMENT *