

Blast

Offset Glazed

Side Load

Thermal

T500B-OPG3005 Series

Description: 3" X 5 1/2" Offset Glazed For 1" Glass

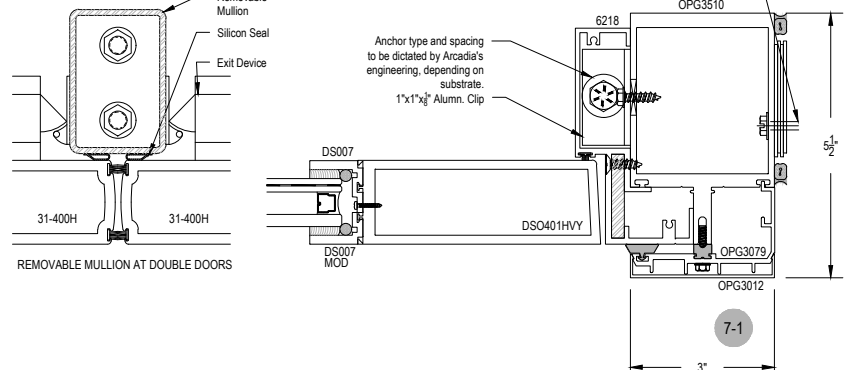
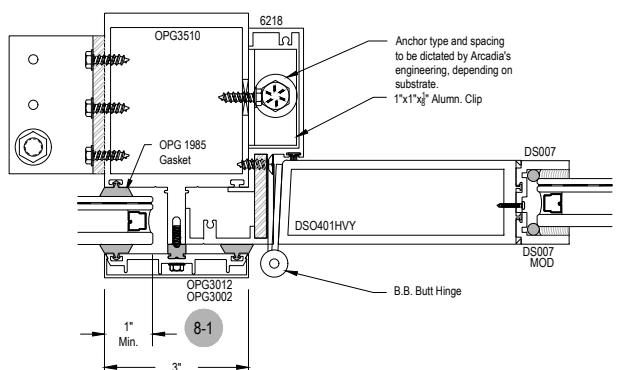
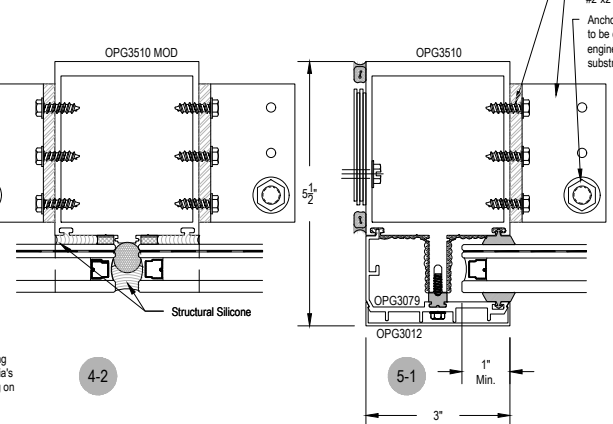
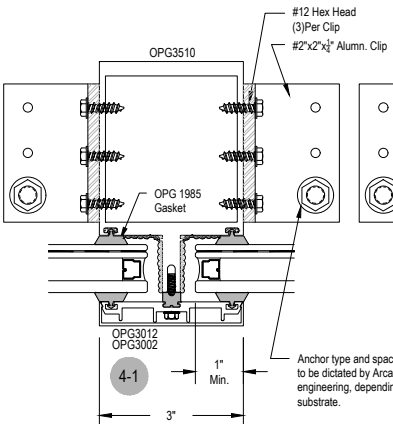
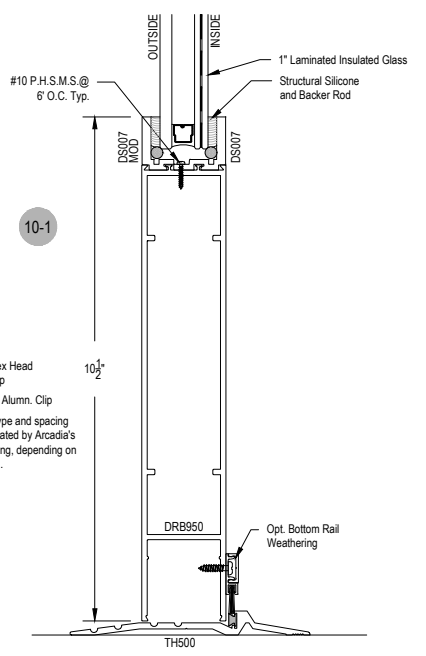
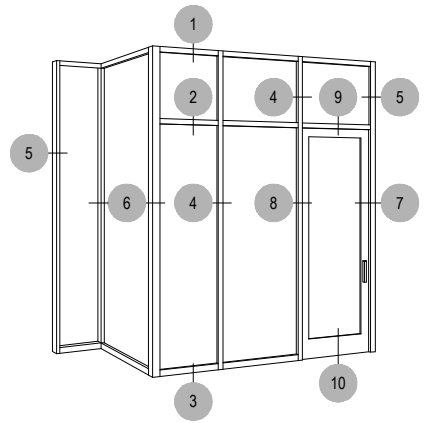
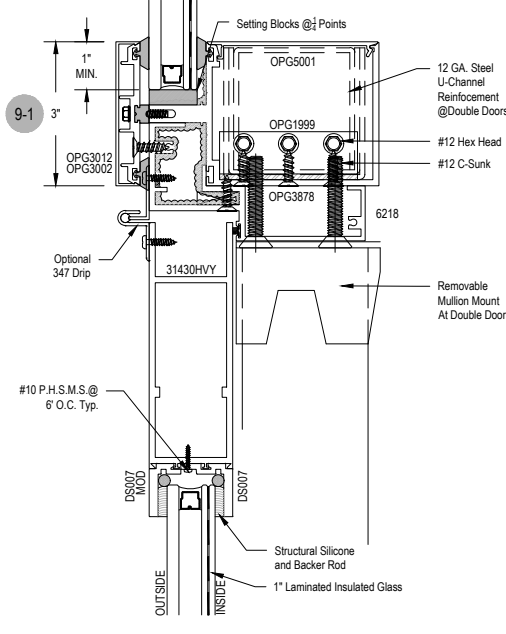
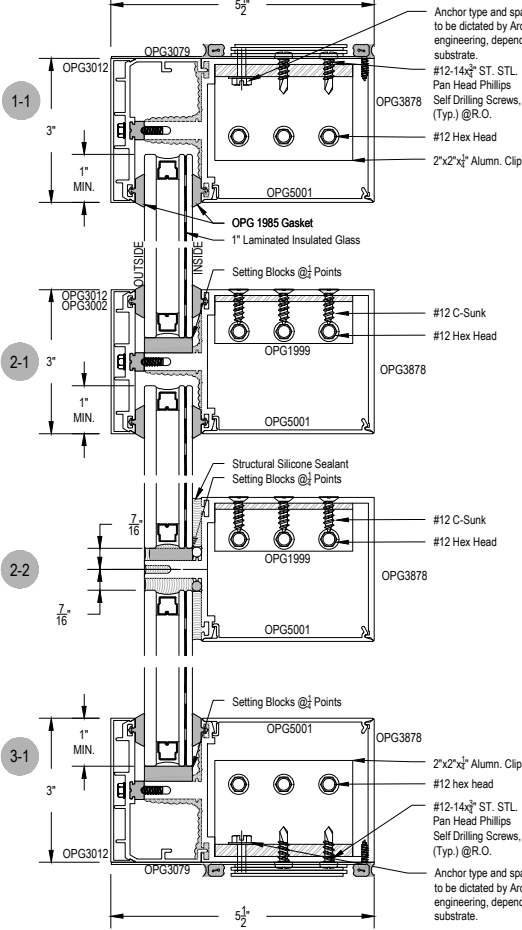
Function: Curtain Wall

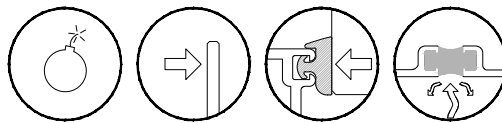
Detail: ALL

Scale: 3" = 1'-0"

SHEET 1 OF 1

MEETS: UFC 04-010-01 -D.O.D. MIN. ANTITERRORISM STANDARDS FOR BUILDINGS





Blast

Offset Glazed

Side Load

Thermal

Optional Projected Cover Cap Available

T500B-OPG3005 Series

Description: 3" X 5 1/2" Offset Glazed For 1" Glass

Function: Curtain Wall

Detail: ALL

Scale: 3" = 1'-0"

SHEET 1 OF 1

MEETS: UFC 04-010-01 -D.O.D. MIN. ANTITERRORISM STANDARDS FOR BUILDINGS

