

Blast

Offset Glazed

Side Load

Thermal

T500B-OPG3010 Series

Description: 3" X 10" Offset Glazed For 1" Glass

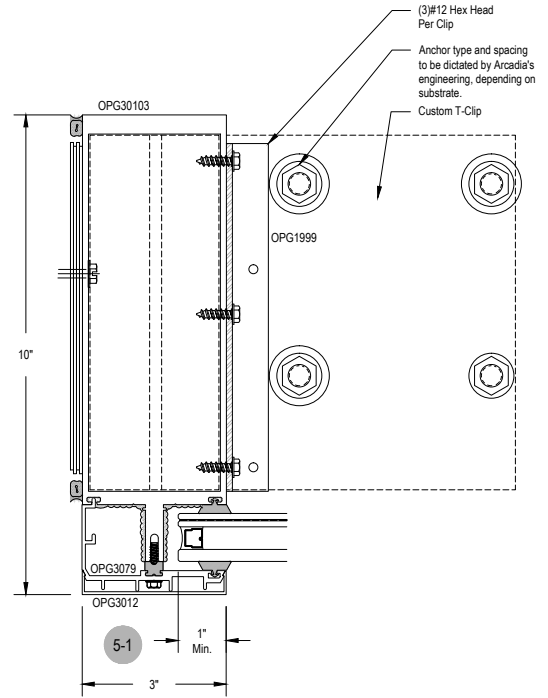
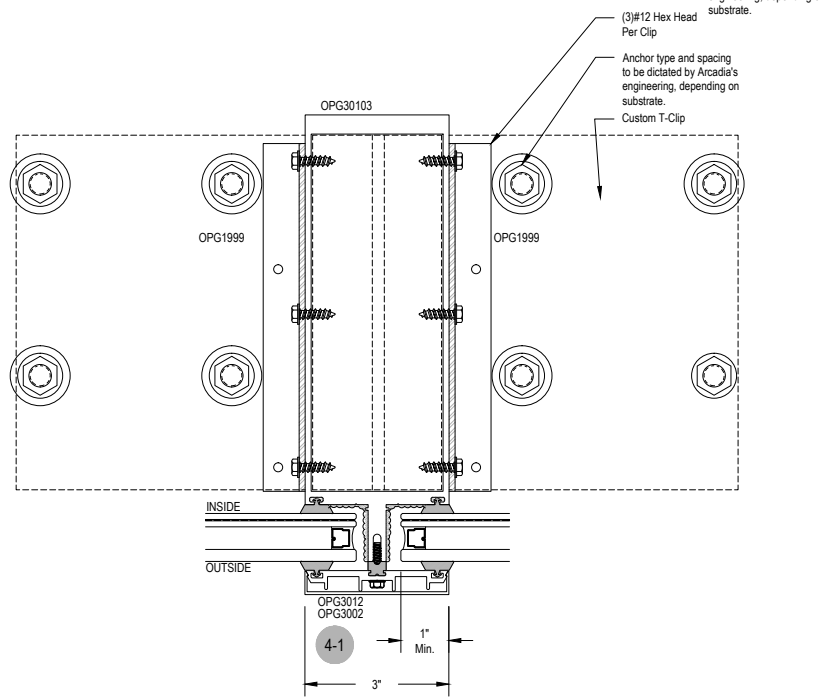
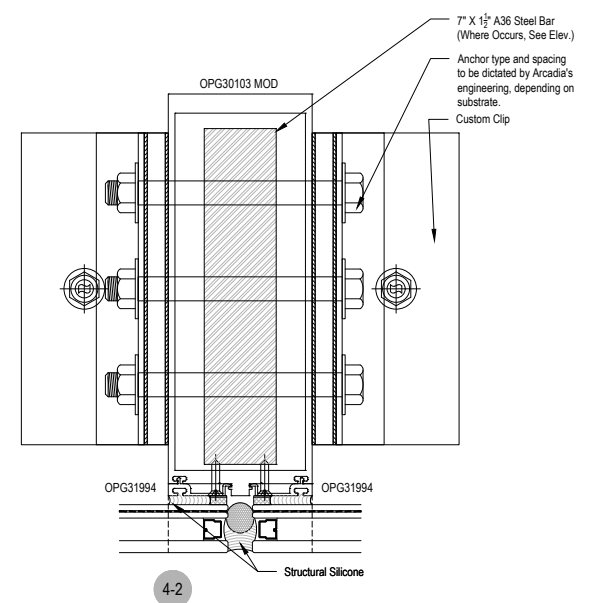
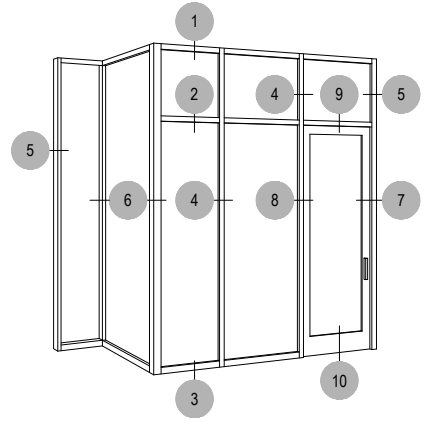
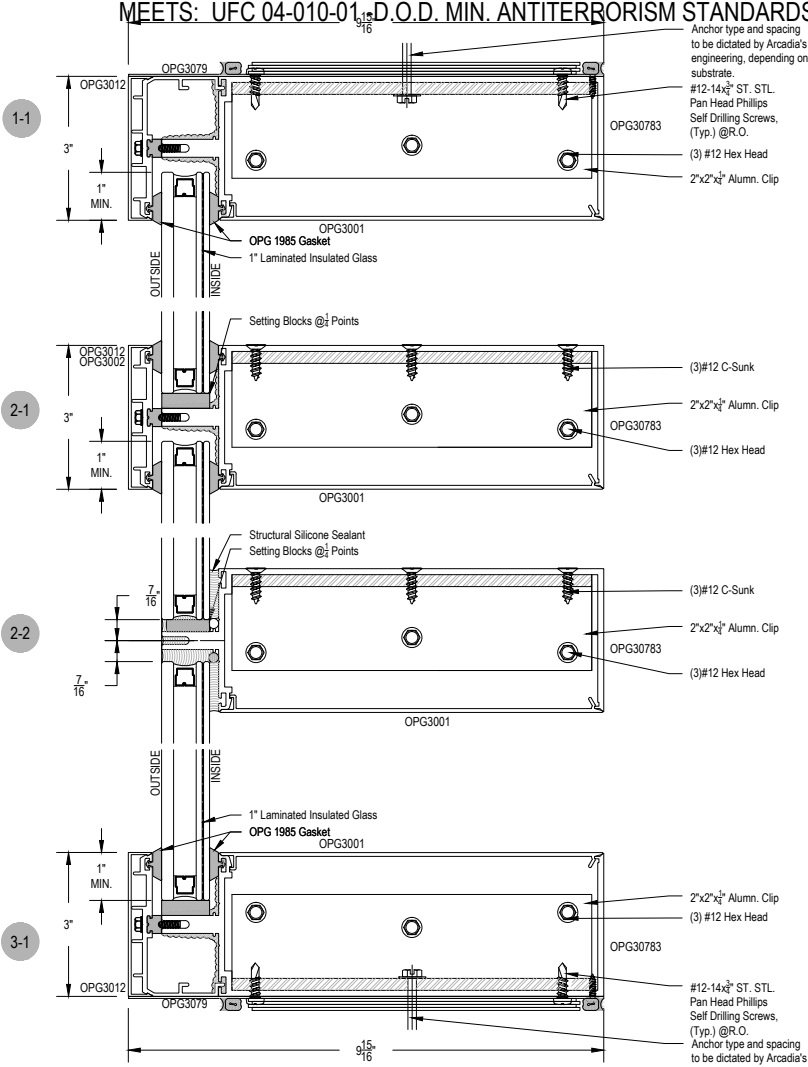
Function: Curtain Wall

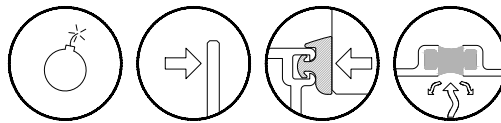
Detail: Horizontals, Verticals

Scale: 3" = 1'-0"

SHEET 1 OF 2

MEETS: UFC 04-010-01, D.O.D. MIN. ANTITERRORISM STANDARDS FOR BUILDINGS





Blast

Offset Glazed

Side Load

Thermal

Optional Projected Cover Cap Available

T500B-OPG3010 Series

Description: 3" X 10" Offset Glazed For 1" Glass

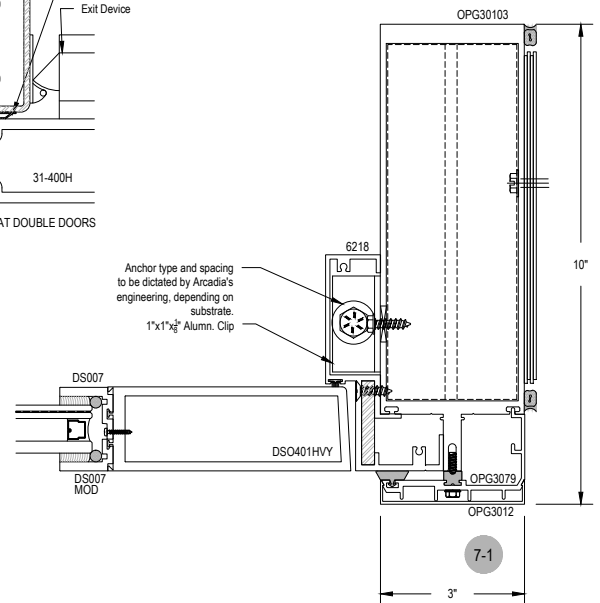
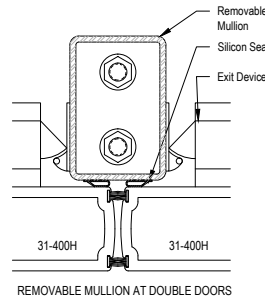
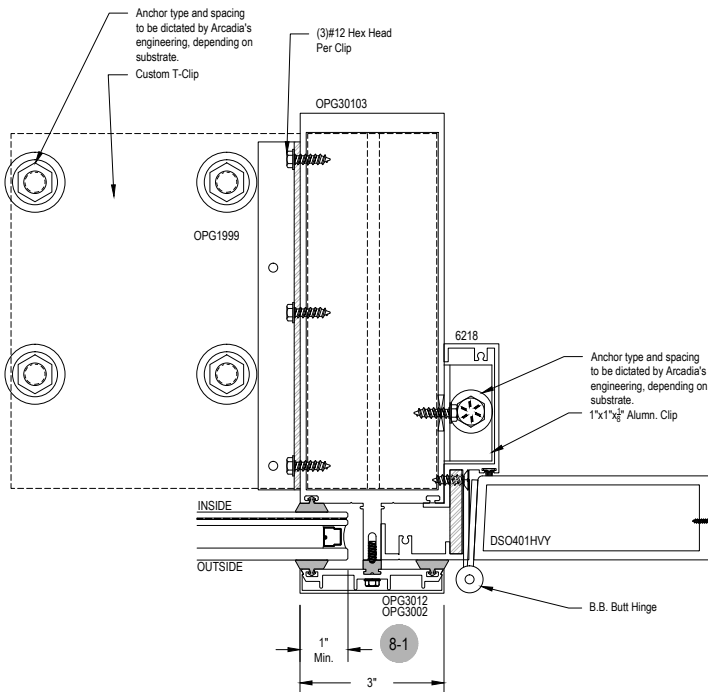
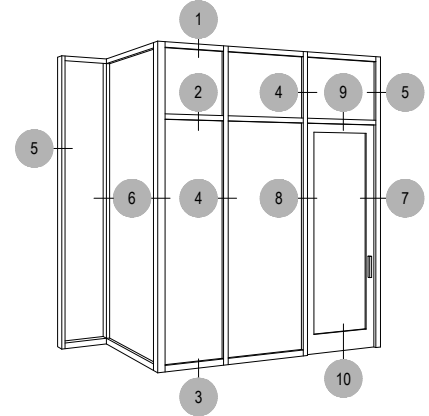
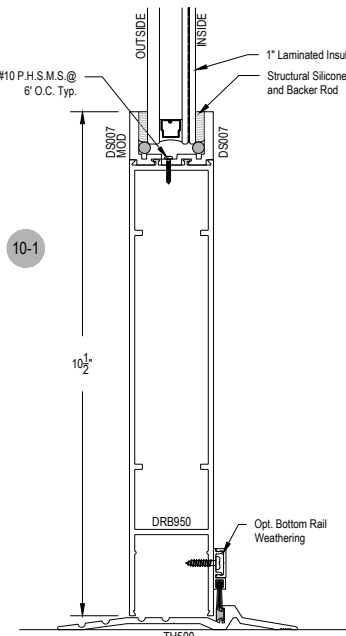
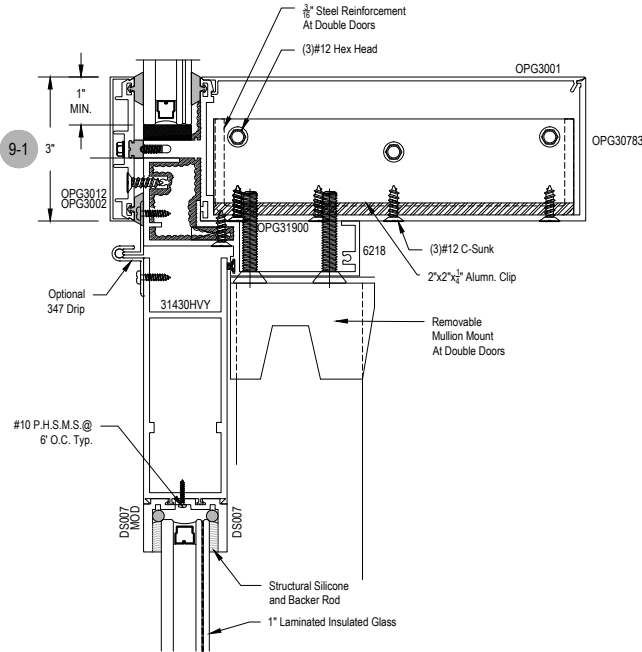
Function: Curtain Wall

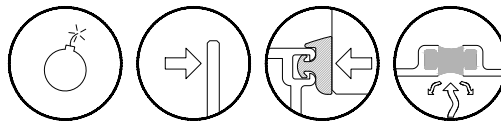
Detail: Doors

Scale: 3" = 1'-0"

SHEET 2 OF 2

MEETS: UFC 04-010-01 -D.O.D. MIN. ANTITERRORISM STANDARDS FOR BUILDINGS





Blast

Offset Glazed

Side Load

Thermal

Optional Projected Cover Cap Available

T500B-OPG3010 Series

Description: 3" X 10" Offset Glazed For 1" Glass

Function: Curtain Wall

Detail: Horizontals, Verticals

Scale: 3" = 1'-0"

SHEET 1 OF 2

MEETS: UFC 04-010-01 -D.O.D. MIN. ANTITERRORISM STANDARDS FOR BUILDINGS

