

Acoustic Offset Glass Side Load Thermal System
Optional Projected Cover Cap Available

T500 (OPG6000) STC Series

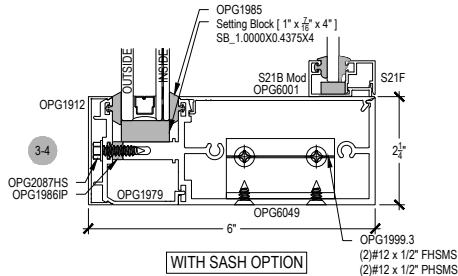
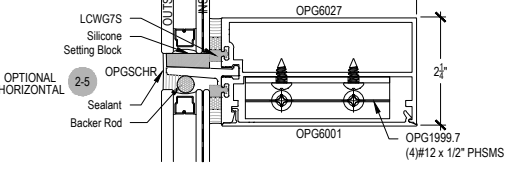
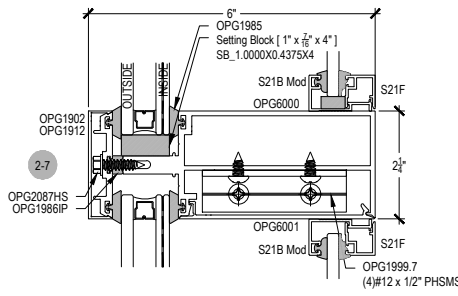
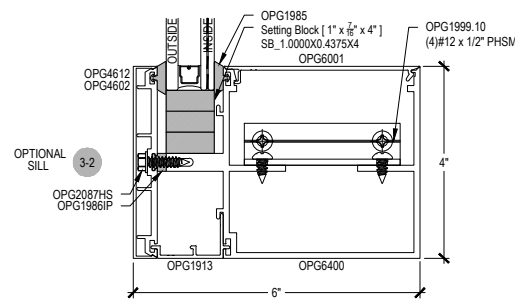
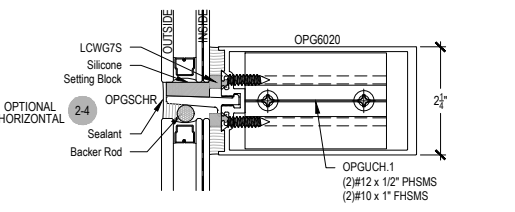
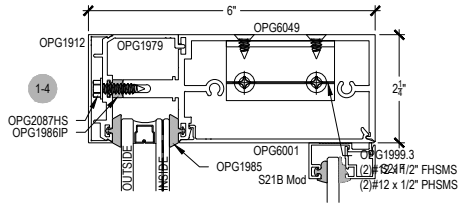
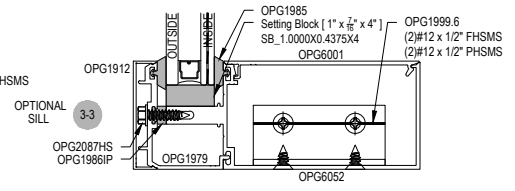
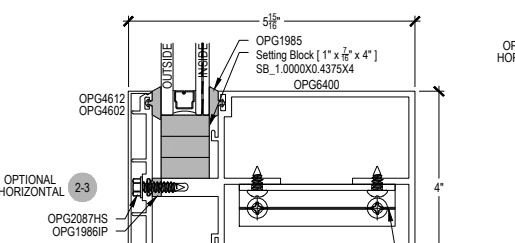
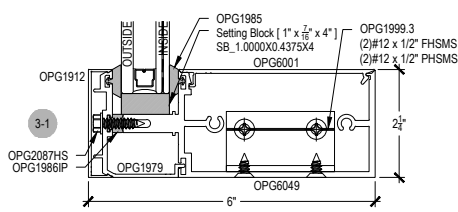
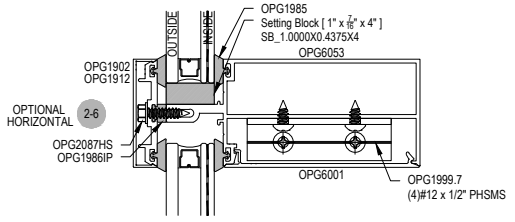
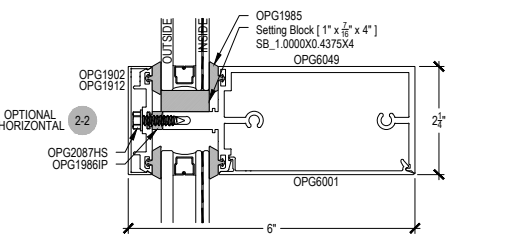
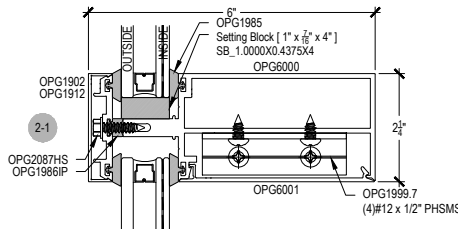
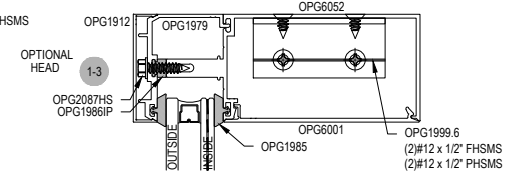
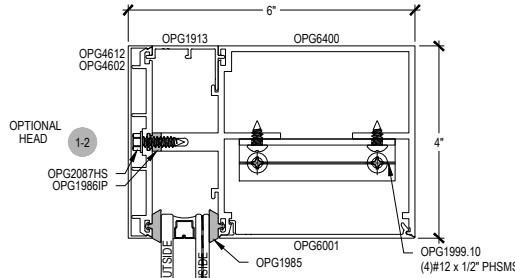
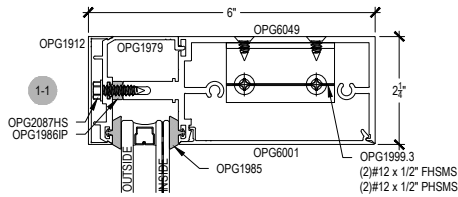
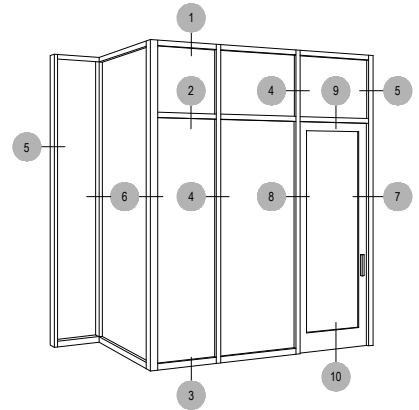
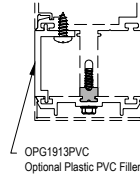
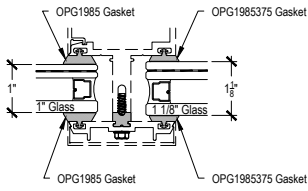
Description: 2 1/4" X 6" With 1/4" - 1 1/8" Glass

Function: Curtain Wall

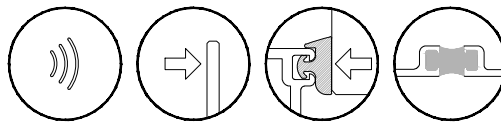
Detail: Horizontals

Scale: 3" = 1'-0"

SHEET 1 OF 3



WITH SASH OPTION



Acoustic

Offset Glass

Side Load

Thermal System

Optional Projected Cover Cap Available

T500 (OPG6000) STC Series

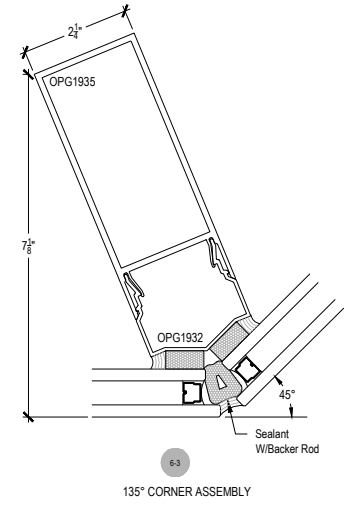
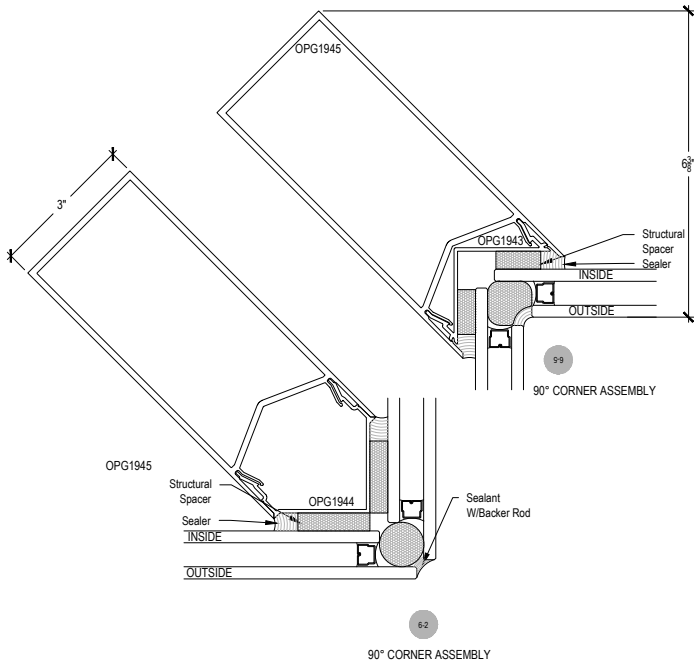
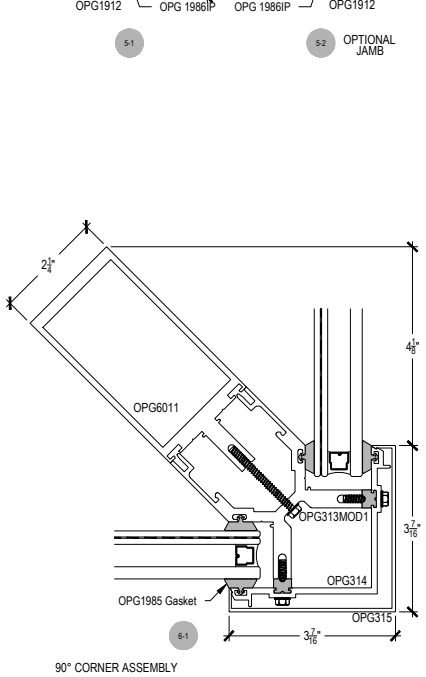
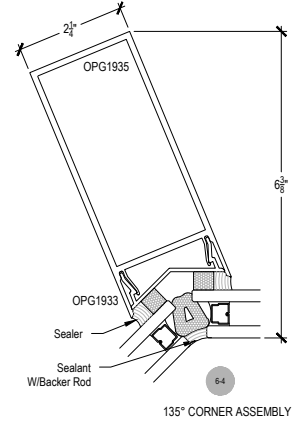
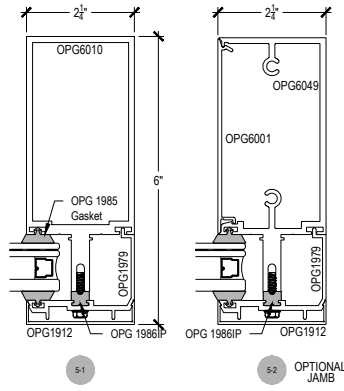
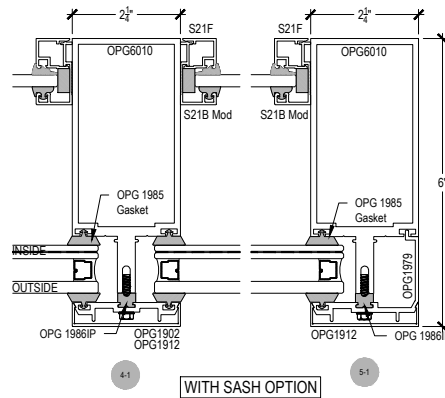
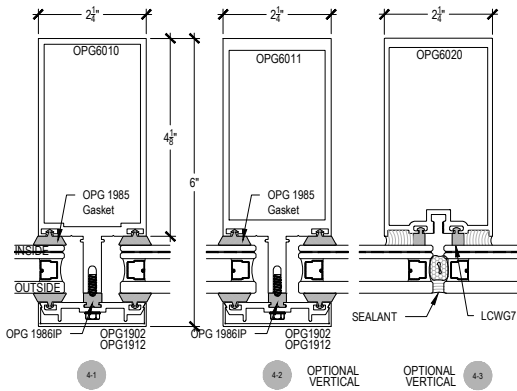
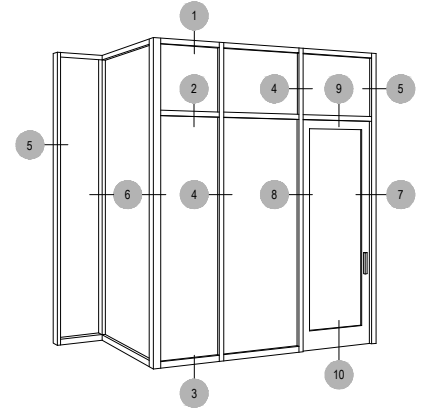
Description: 2 1/4" X 6" With 1/4" - 1 1/8" Glass

Function: Curtain Wall

Detail: Verticals

Scale: 3" = 1'-0"

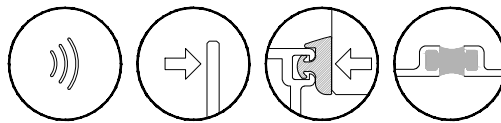
SHEET 2 OF 3



90° CORNER ASSEMBLY

90° CORNER ASSEMBLY

135° CORNER ASSEMBLY



Acoustic Offset Glass Side Load Thermal System

Optional Projected Cover Cap Available

T500 (OPG6000) STC Series

Description: 2 1/4" X 6" With 1/4" - 1 1/8" Glass

Function: Curtain Wall

Detail: Doors

Scale: 3" = 1'-0"

SHEET 3 OF 3

