

Offset Glazed    Side Load    Thermal  
Optional Projected Cover Cap Available

# T500 (OPG3000) Series

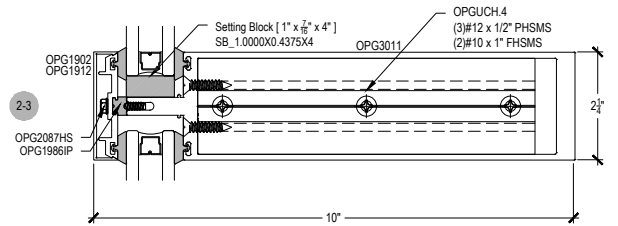
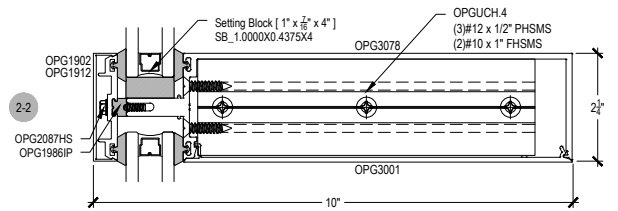
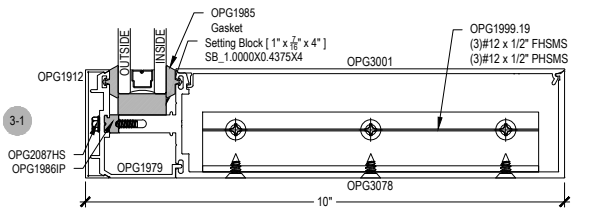
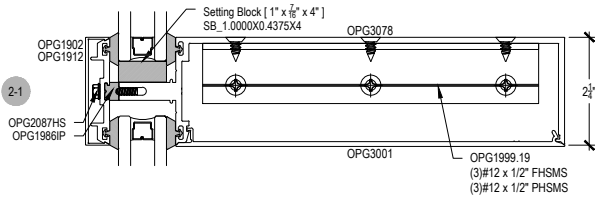
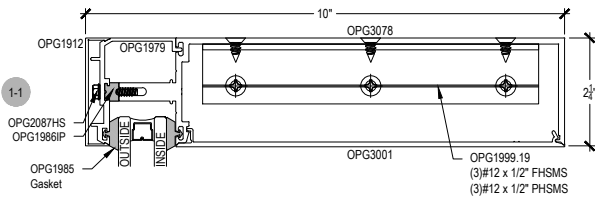
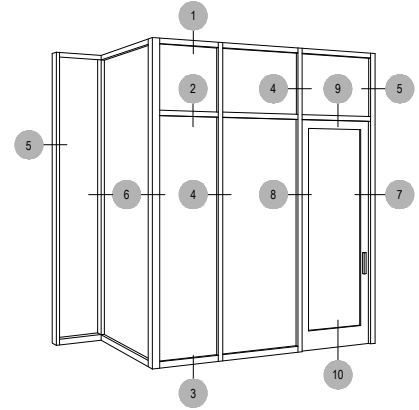
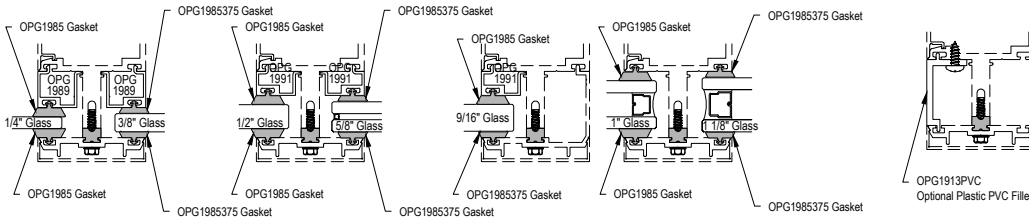
Description: 2 1/4" X 10" With 1/4" - 1 1/8" Glass

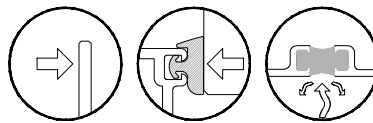
Function: Curtain Wall

Detail: Horizontals

Scale: 3" = 1'-0"

SHEET 1 OF 3





Offset Glazed    Side Load    Thermal  
Optional Projected Cover Cap Available

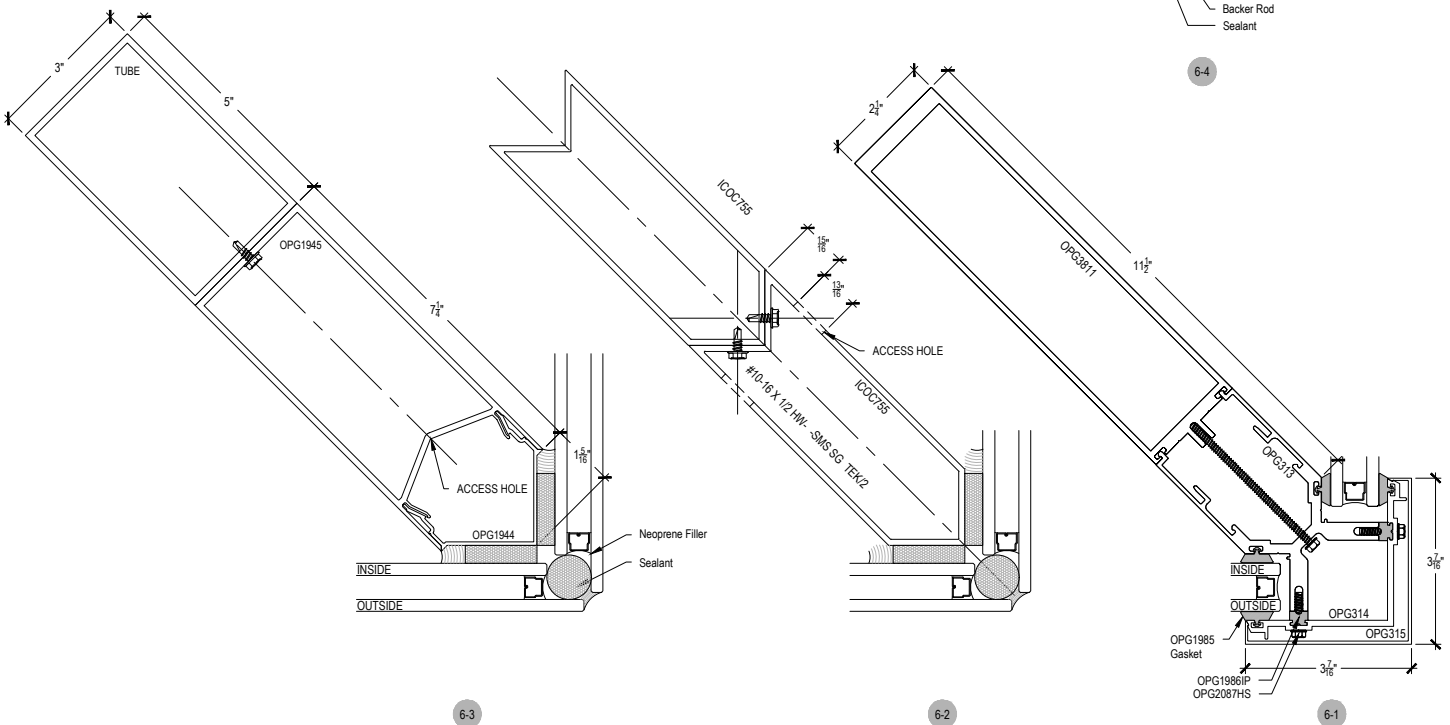
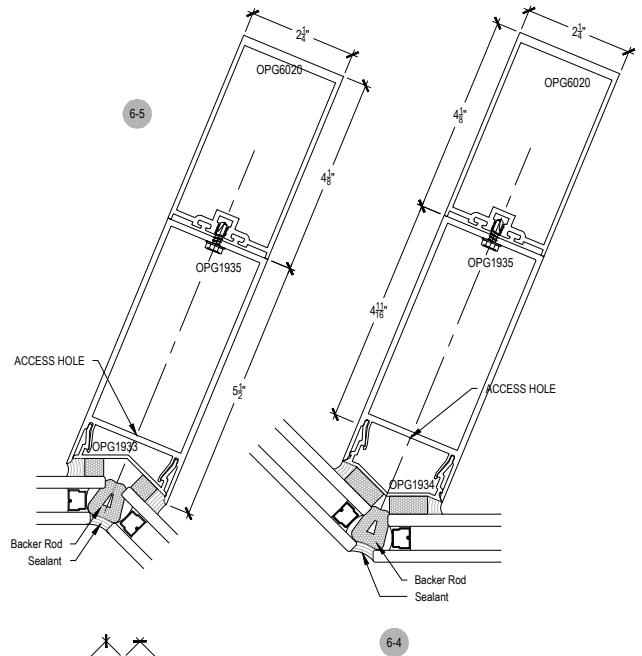
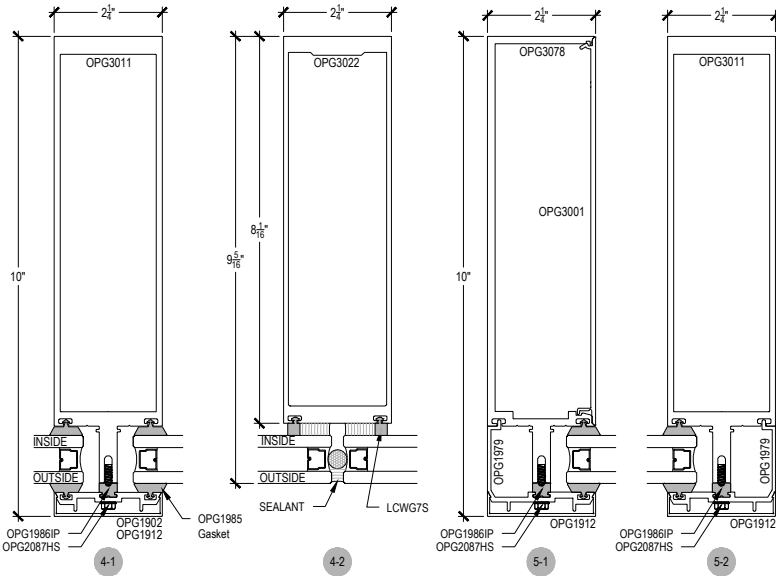
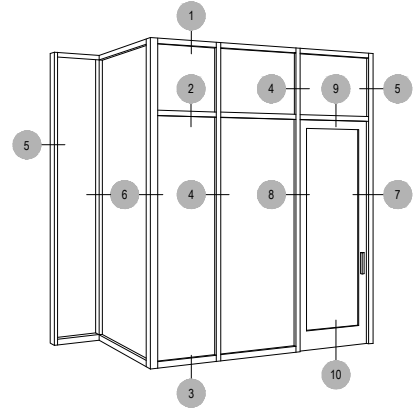
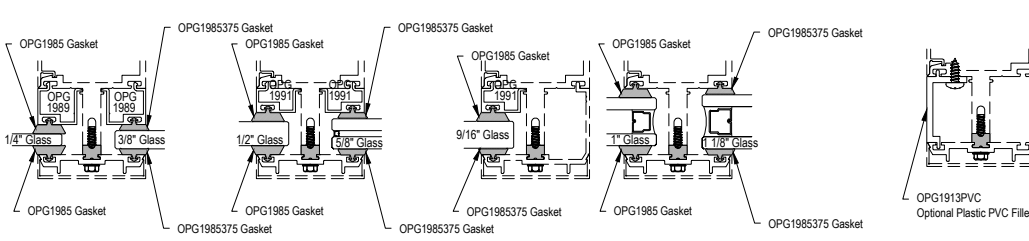
# T500 (OPG3000) Series

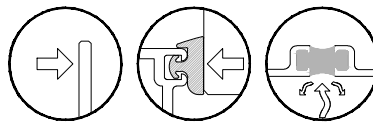
Description: 2 1/4" X 10" With 1/4" - 1 1/8" Glass

Function: Curtain Wall

Detail: Verticals

Scale: 3" = 1'-0"





Offset Glazed Side Load Thermal  
Optional Projected Cover Cap Available

# T500 (OPG3000) Series

Description: 2 1/4" X 10" With 1/4" - 1 1/8" Glass

Function: Curtain Wall

Detail: Doors

Scale: 3" = 1'-0"

SHEET 3 OF 3

