

Offset Glazed Side Load Thermal
Optional Projected Cover Cap Available

T500 (OPG3005) Series

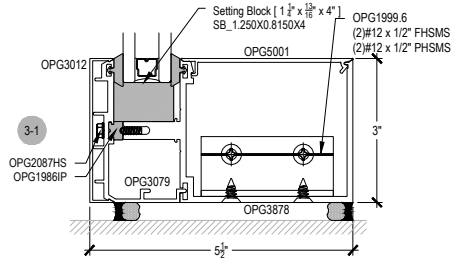
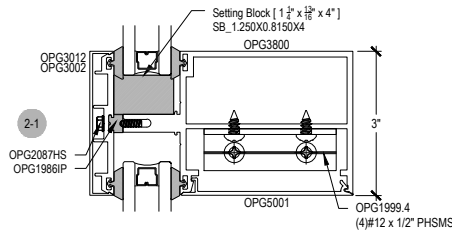
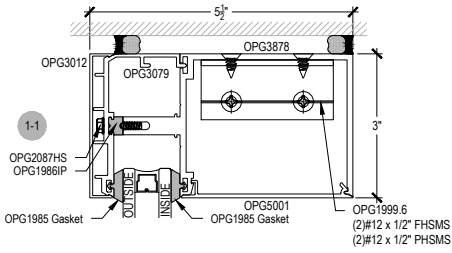
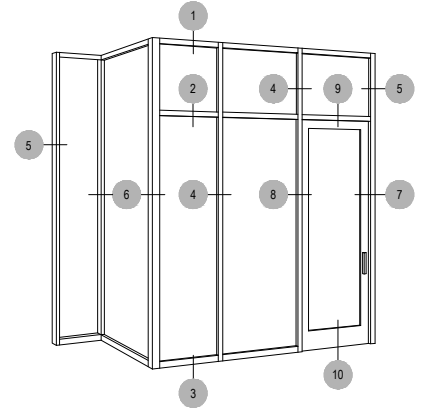
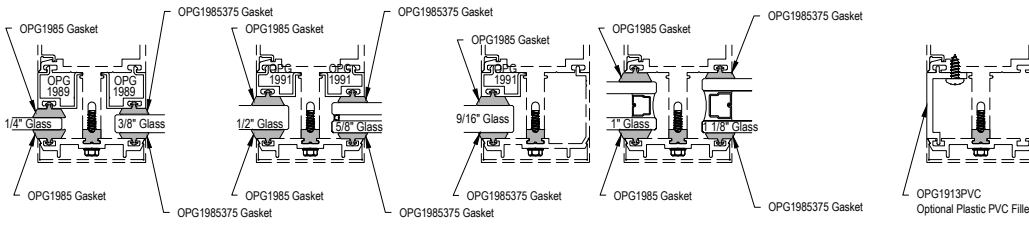
Description: 3" X 5 1/2" With 1/4" - 1 1/8" Glass

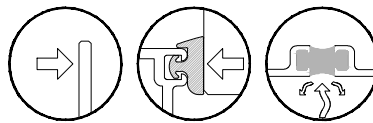
Function: Curtain Wall

Detail: Horizontals

Scale: 3" = 1'-0"

SHEET 1 OF 3





Offset Glazed Side Load Thermal
Optional Projected Cover Cap Available

T500 (OPG3005) Series

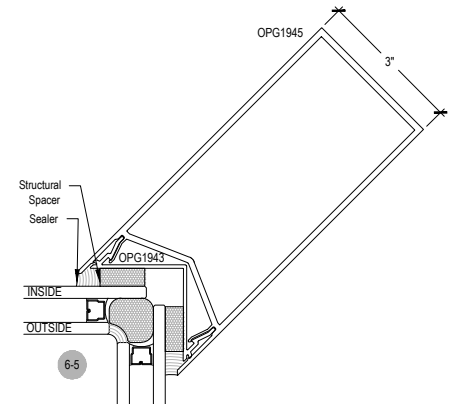
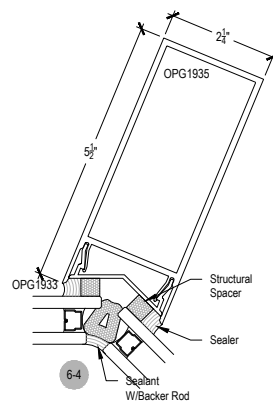
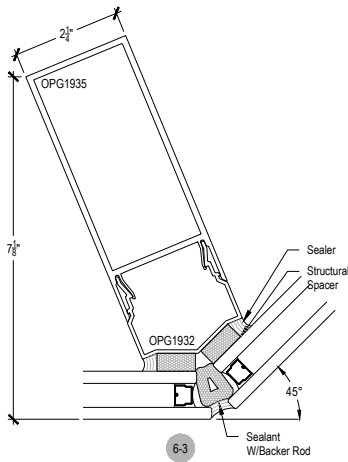
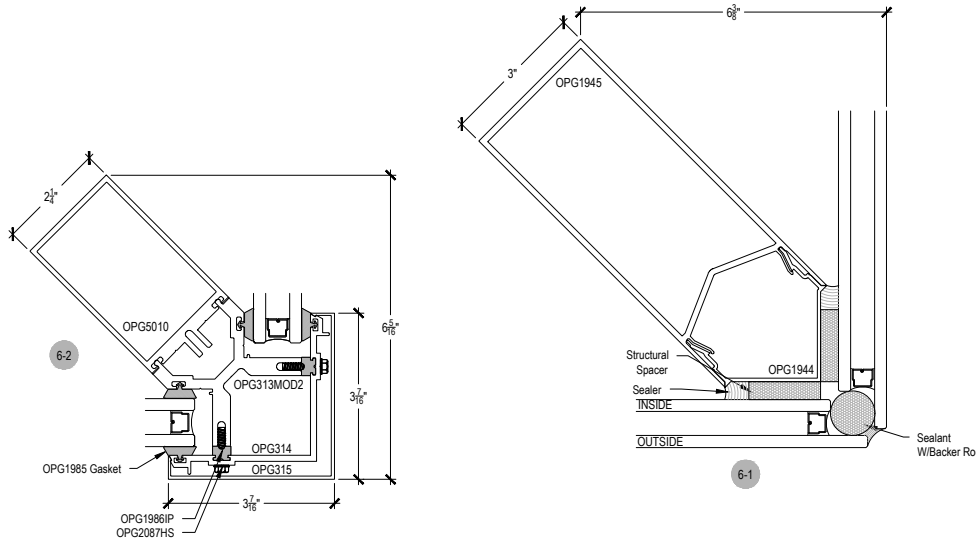
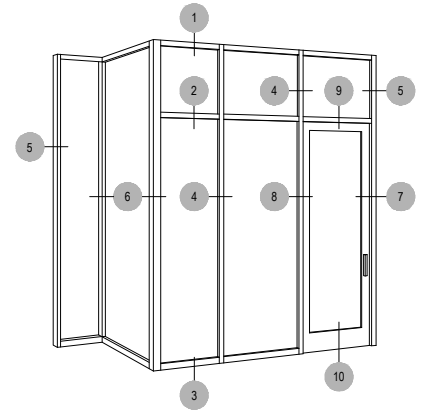
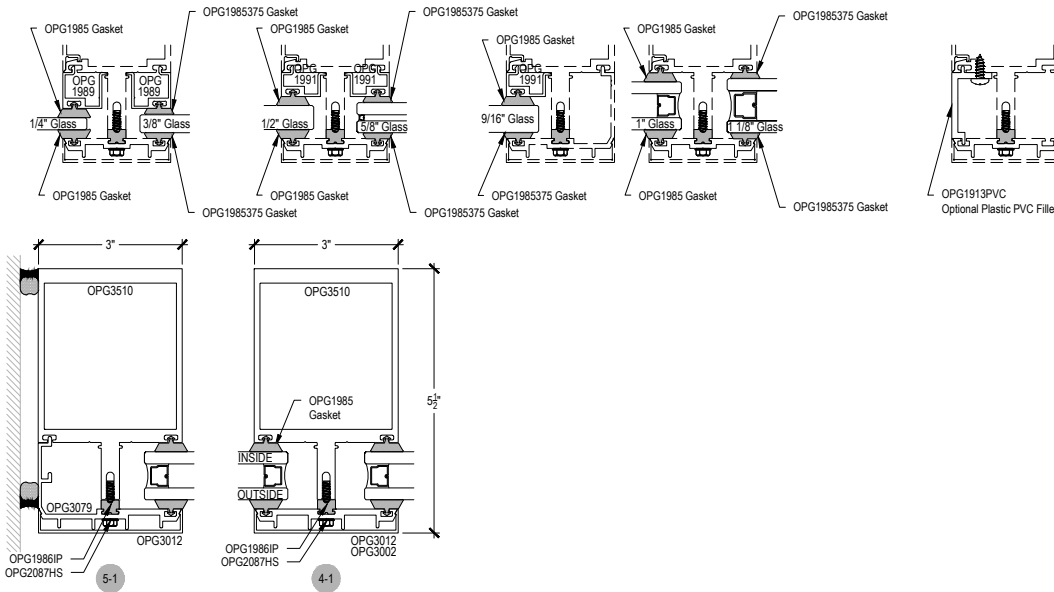
Description: 3" X 5 1/2" With 1/4" - 1 1/8" Glass

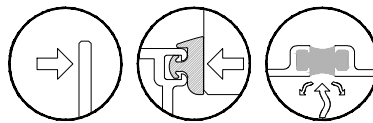
Function: Curtain Wall

Detail: Verticals

Scale: 3" = 1'-0"

SHEET 2 OF 3





Offset Glazed Side Load Thermal

Optional Projected Cover Cap Available

T500 (OPG3005) Series

Description: 3" X 5 1/2" With 1/4" - 1 1/8" Glass

Function: Curtain Wall

Detail: Doors

Scale: 3" = 1'-0"

SHEET 3 OF 3

