

Offset Glazed Side Load Thermal
Optional Projected Cover Cap Available

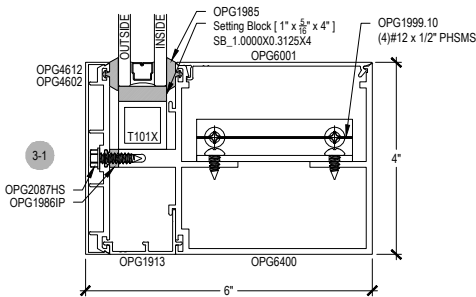
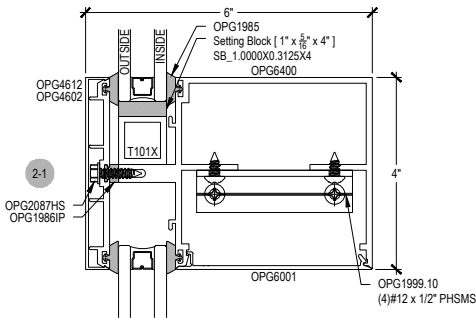
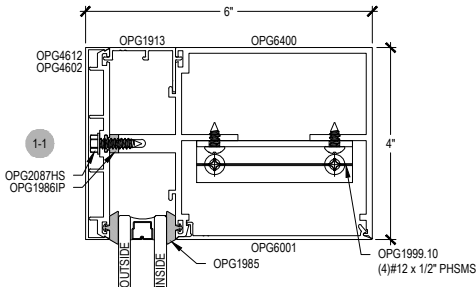
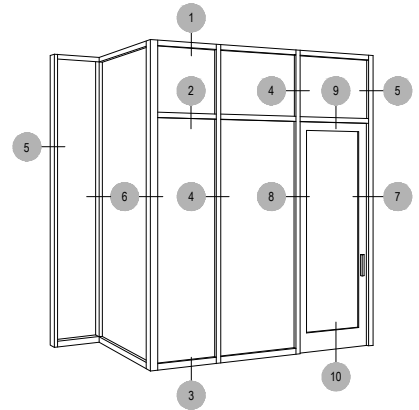
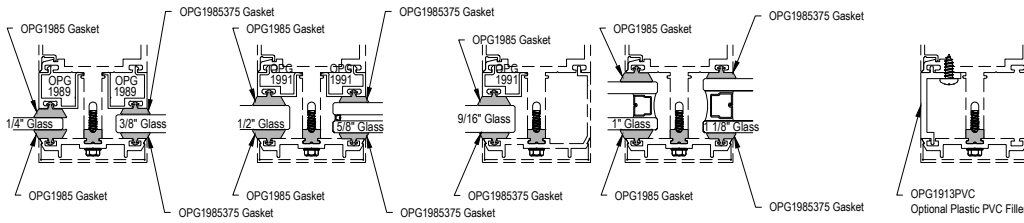
T500 (OPG4006) Series

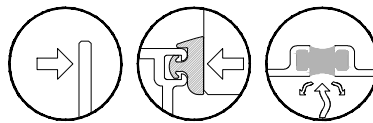
Description: 4" X 6" With 1/4" - 1 1/8" Glass

Function: Curtain Wall

Detail: Horizontals

Scale: 3" = 1'-0"





Offset Glazed Side Load Thermal
Optional Projected Cover Cap Available

T500 (OPG4006) Series

Description: 4" X 6" With 1/4" - 1 1/8" Glass

Function: Curtain Wall

Detail: Doors

Scale: 3" = 1'-0"

SHEET 3 OF 3

