

Offset Glazed    Side Load    Thermal

Optional Projected Cover Cap Available

# T500 (OPG5000) Series

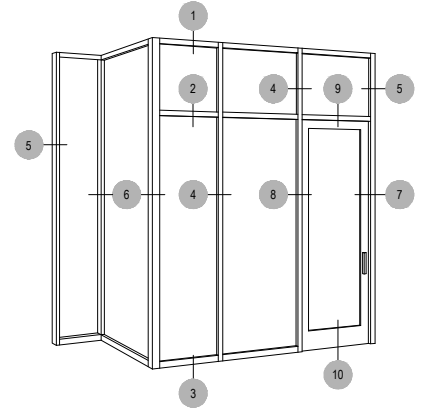
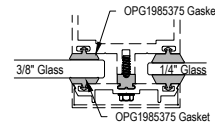
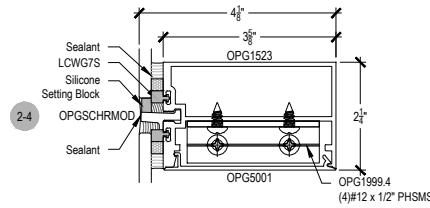
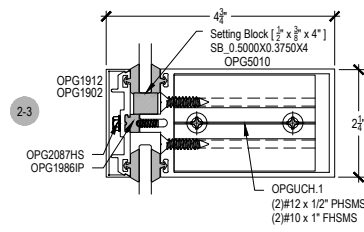
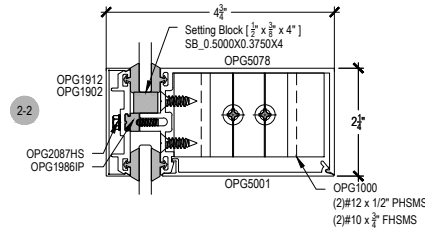
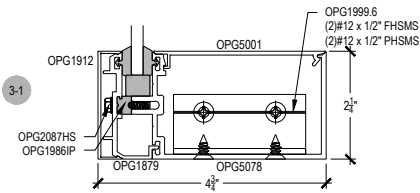
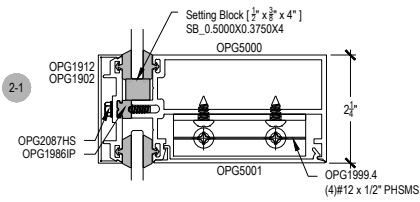
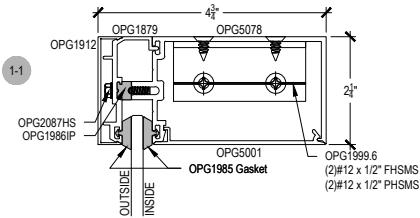
Description: 2 1/4" X 4 3/4" With 1/4" - 3/8" Glass

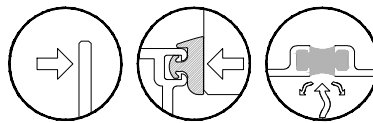
Function: Curtain Wall

Detail: Horizontals

Scale: 3" = 1'-0"

SHEET 1 OF 3





Offset Glazed    Side Load    Thermal  
Optional Projected Cover Cap Available

# T500 (OPG5000) Series

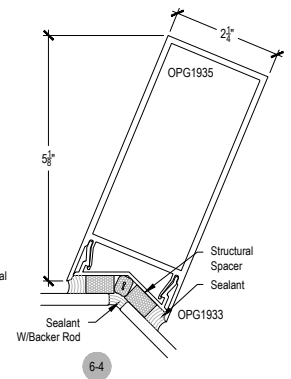
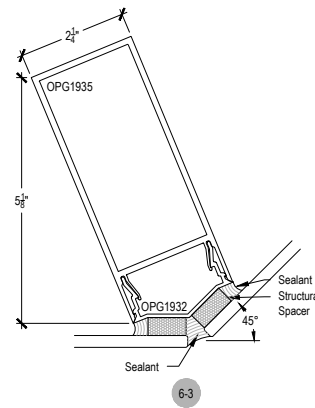
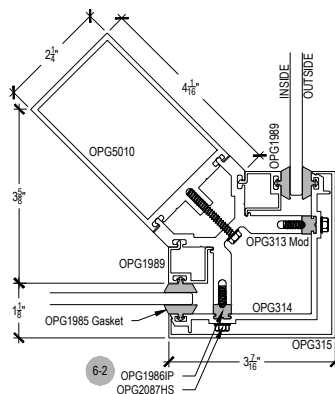
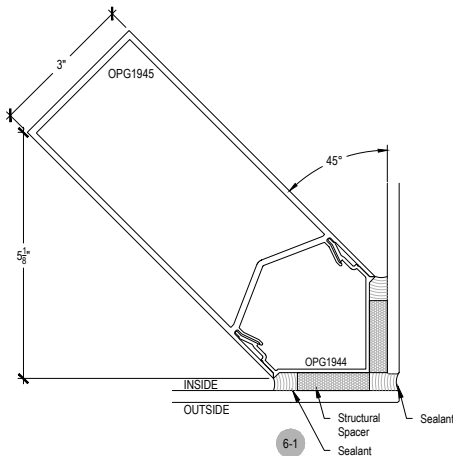
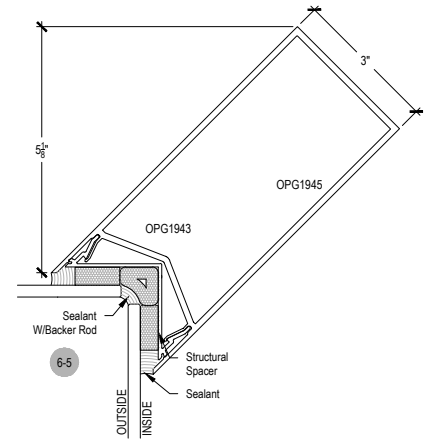
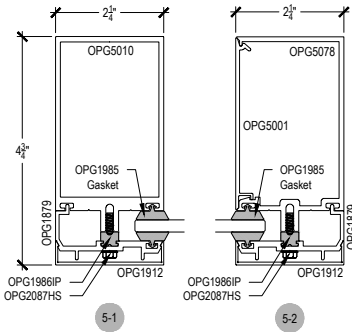
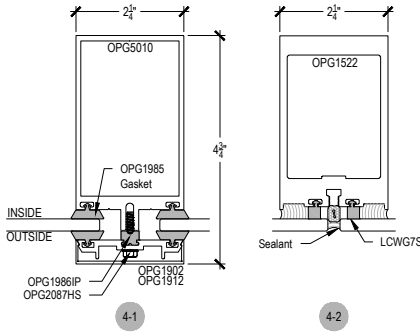
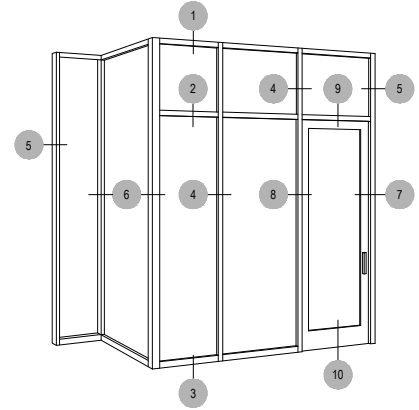
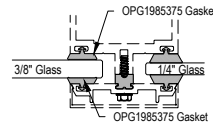
Description: 2 1/4" X 4 3/4" With 1/4" - 3/8" Glass

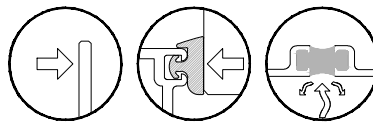
Function: Curtain Wall

Detail: Verticals

Scale: 3" = 1'-0"

SHEET 2 OF 3





Offset Glazed Side Load Thermal  
Optional Projected Cover Cap Available

# T500 (OPG5000) Series

Description: 2 1/4" X 4 3/4" With 1/4" - 3/8" Glass

Function: Curtain Wall

Detail: Doors

Scale: 3" = 1'-0"

SHEET 3 OF 3

