

Offset Glazed

Side Load

UW3061 Series

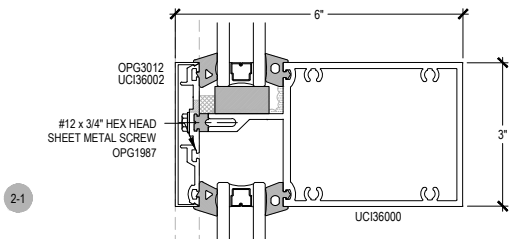
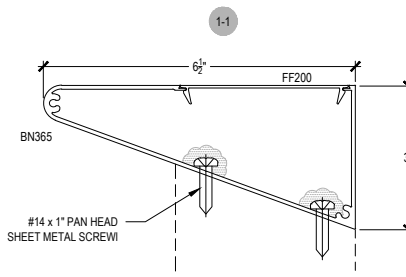
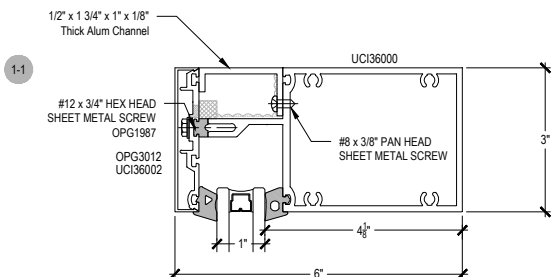
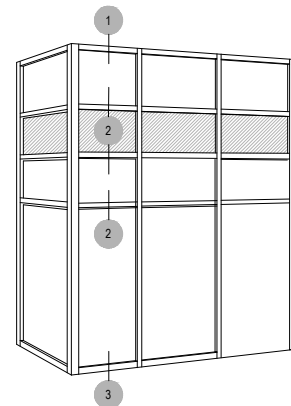
Description: 3" X 6" Offset Glazed For 1" Glass

Function: Unitized Wall System

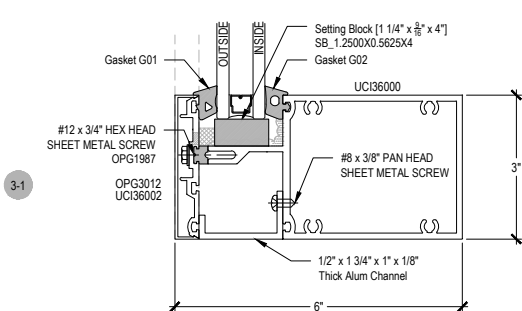
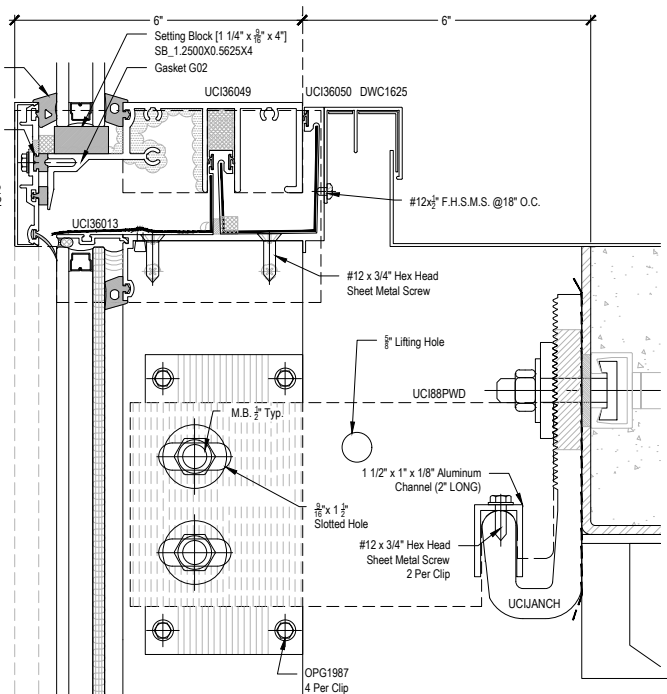
Detail: Horizontals

Scale: 3" = 1'-0"

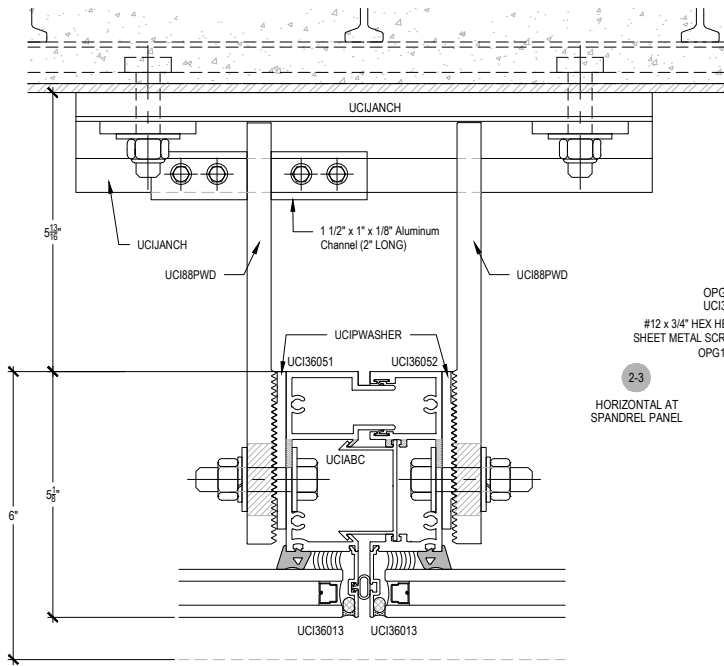
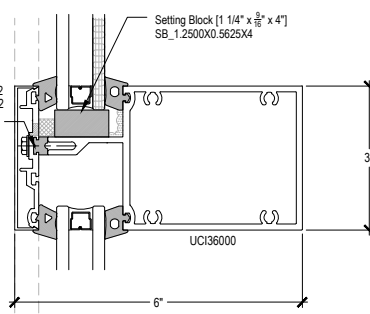
OPTIONAL PARAPET CAP



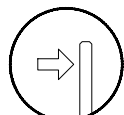
2-2
HORIZONTAL AT
FLOOR LINE



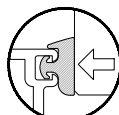
2-3
HORIZONTAL AT
SPANDREL PANEL



4-4
VERTICAL AT
ANCHORAGE



Offset Glass



Side Load

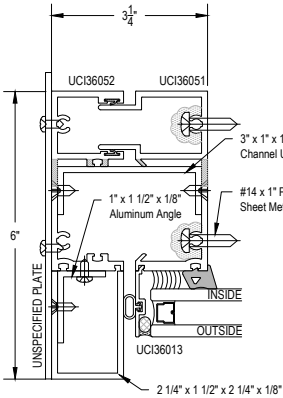
UW3061 Series

Description: 3" X 6" Offset Glazed For 1" Glass

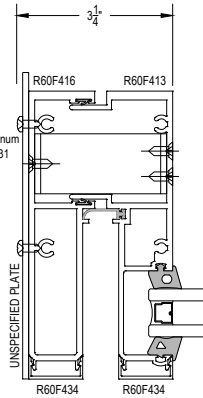
Function: Unitized Wall System

Detail: Verticals

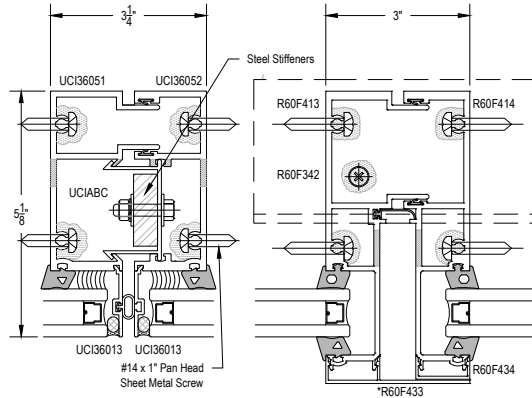
Scale: 3" = 1'-0"



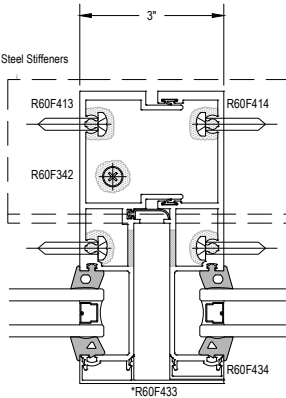
5-1
SILICONE
JAMB



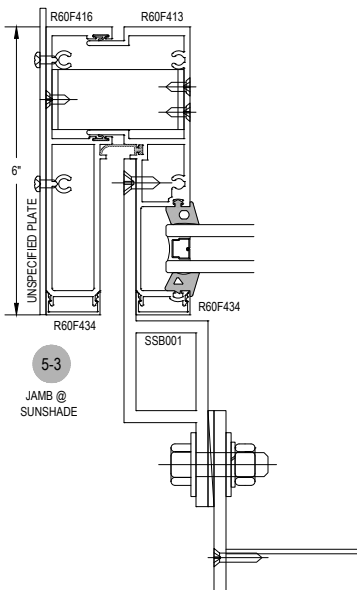
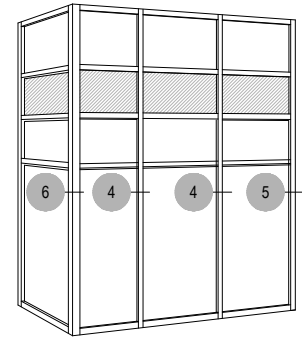
5-2
CAPTURED
JAMB



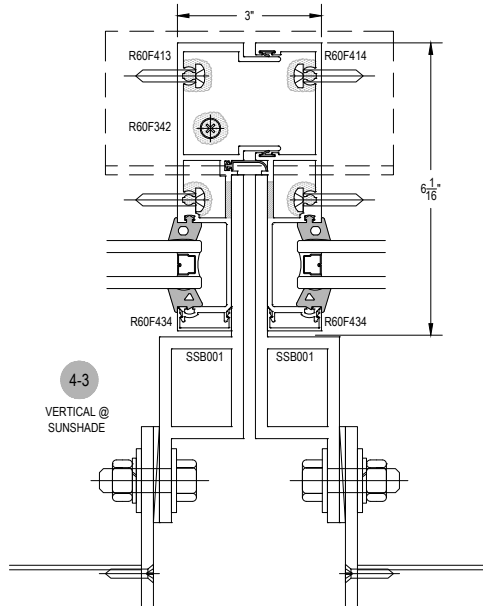
4-1
SILICONE
VERTICAL



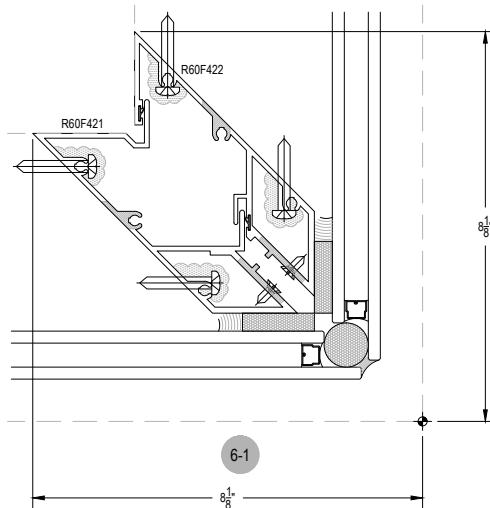
4-2
CAPTURED
VERTICAL
*R60F433
SPECIAL ORDER CALL
FOR AVAILABILITY



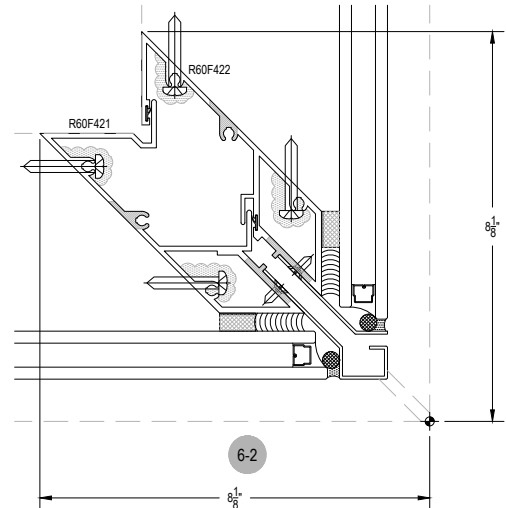
5-3
JAMB @
SUNSHADE



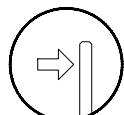
4-3
VERTICAL @
SUNSHADE



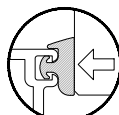
6-1



6-2



Offset Glass



Side Load

UW3061 Series

Description: 3" X 6" Offset Glazed For 1" Glass

Function: Unitized Wall System

Detail: Doors

Scale: 3" = 1'-0"

