



# Brise Soleil Flex Series

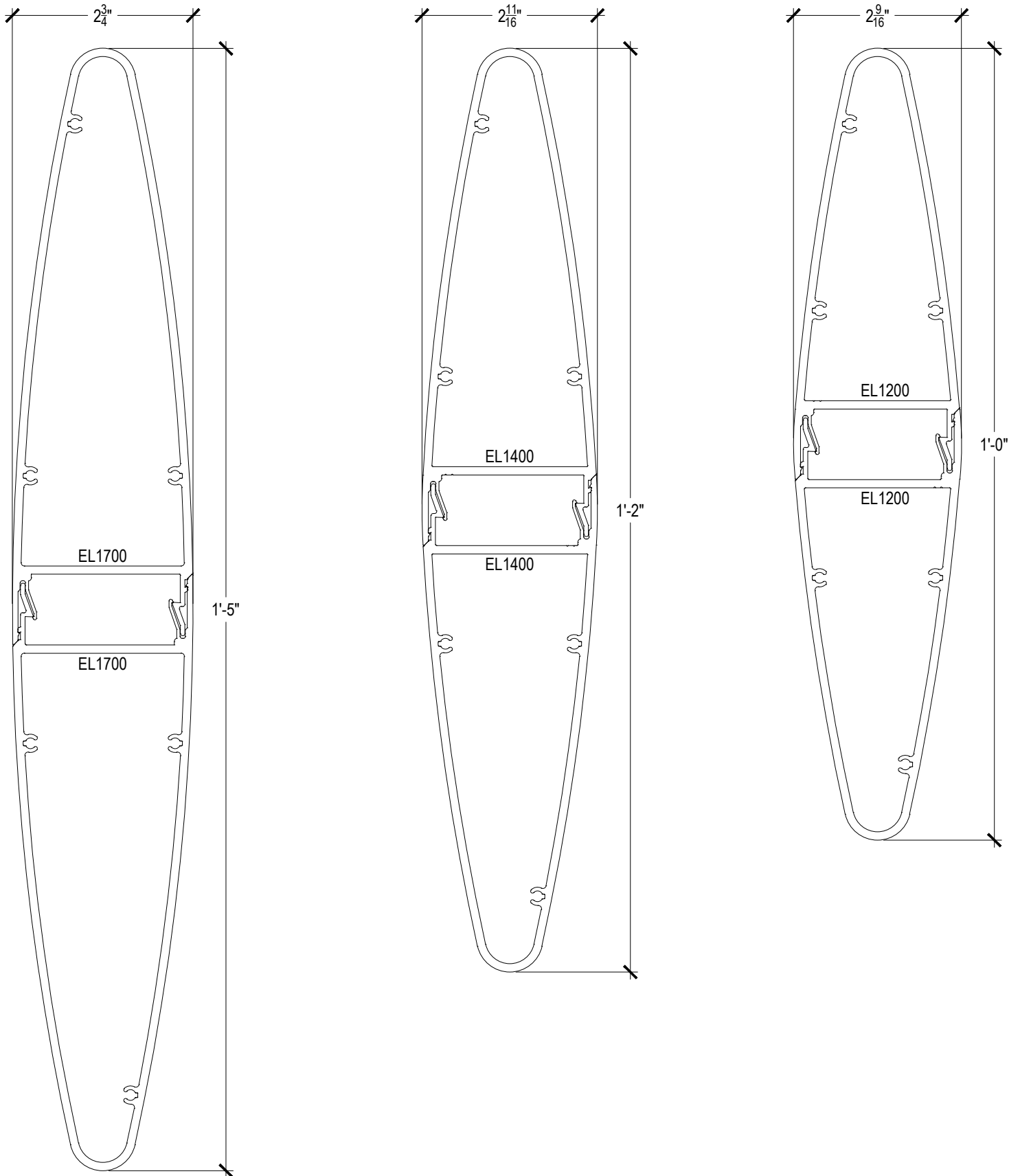
Description: Multi Directional Series

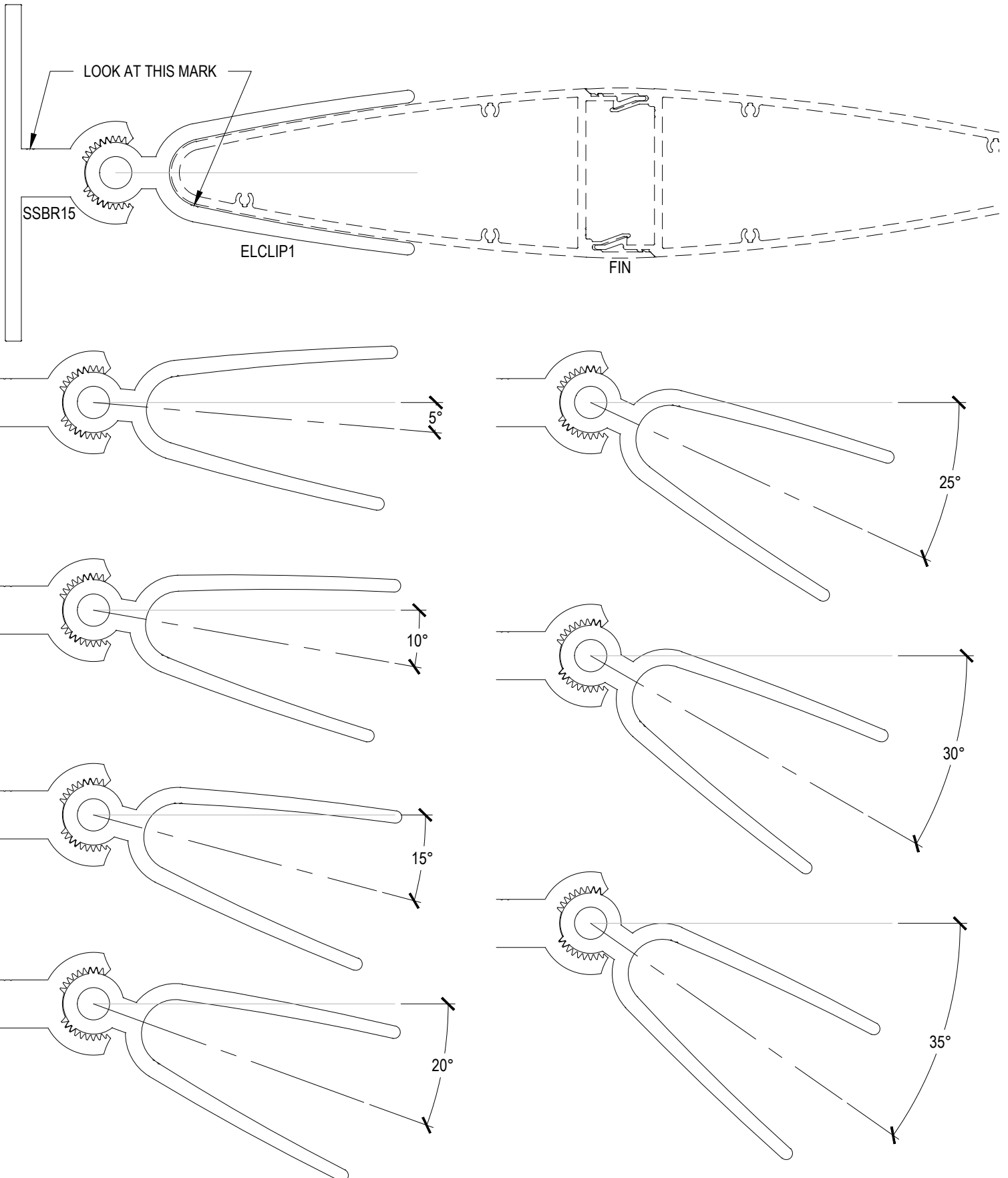
Function: Sun Control

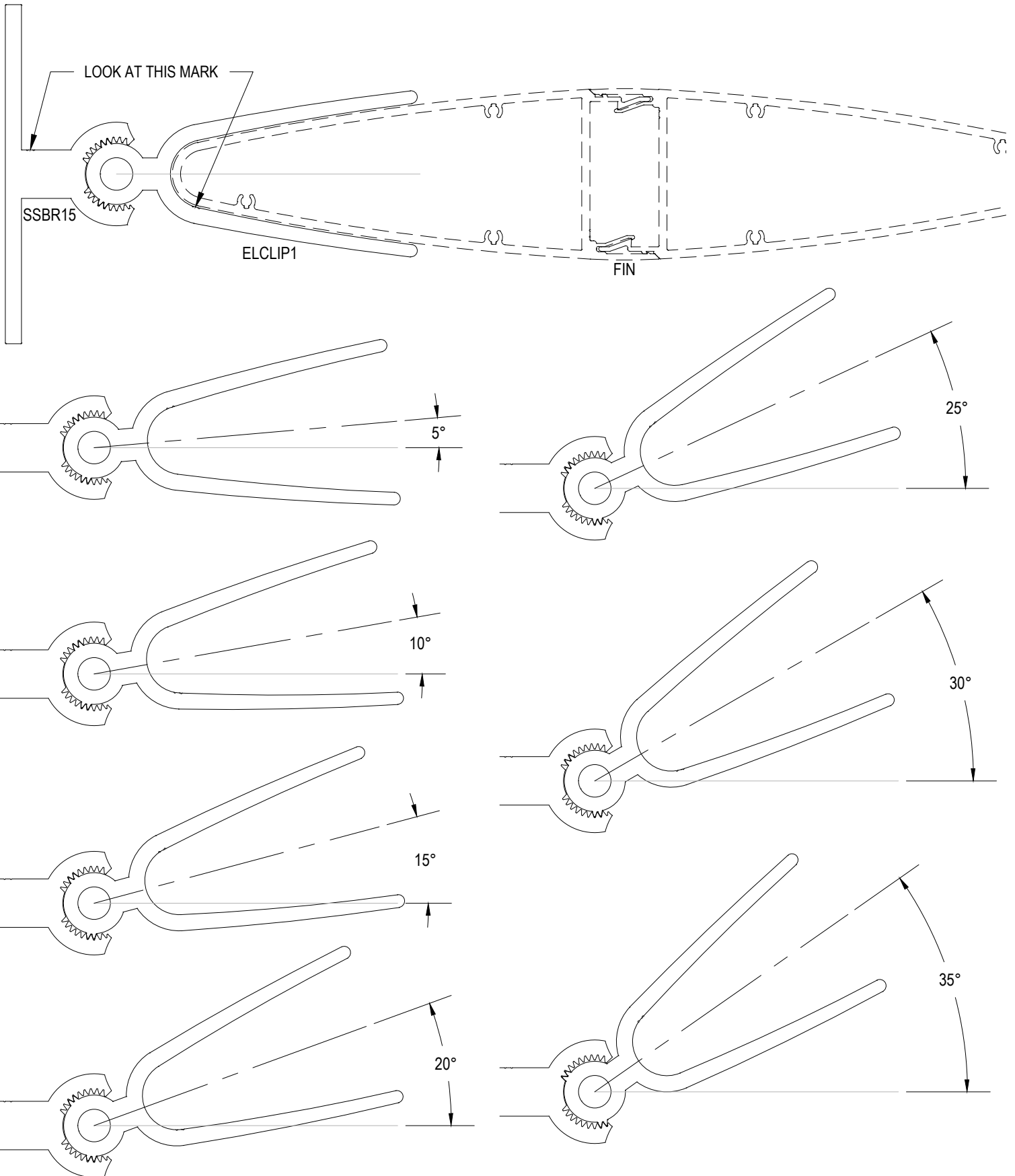
Detail: Fin

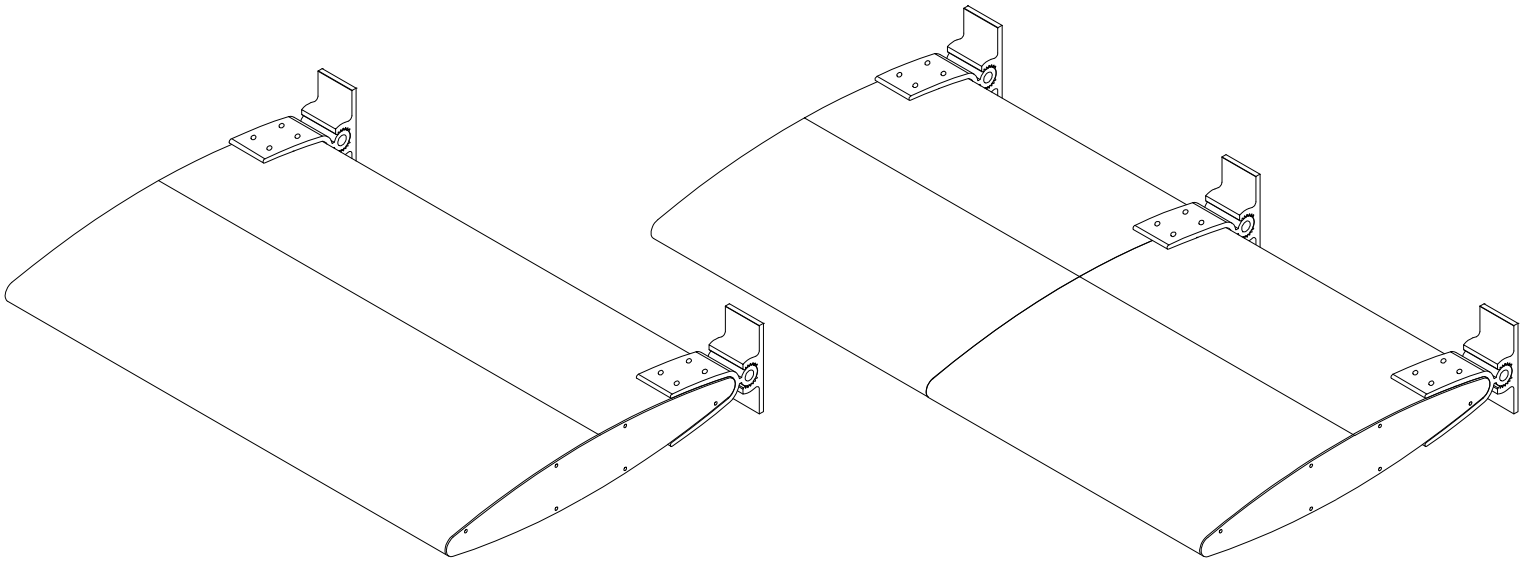
Scale: 6" = 1'-0"

SHEET 1 OF 6



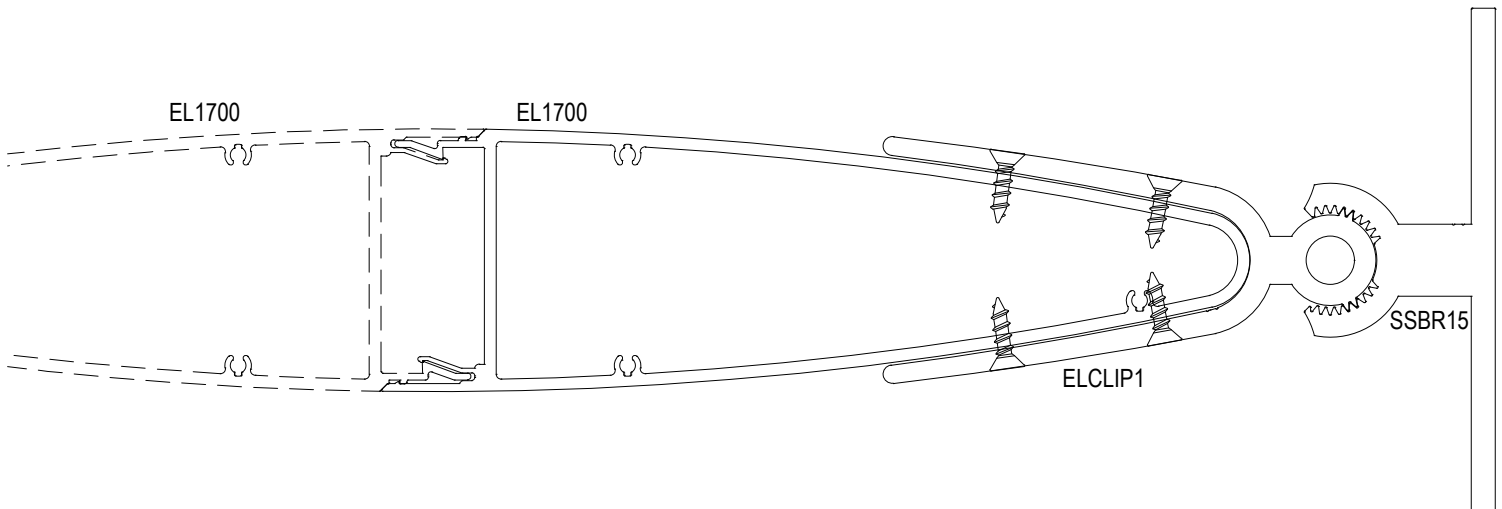


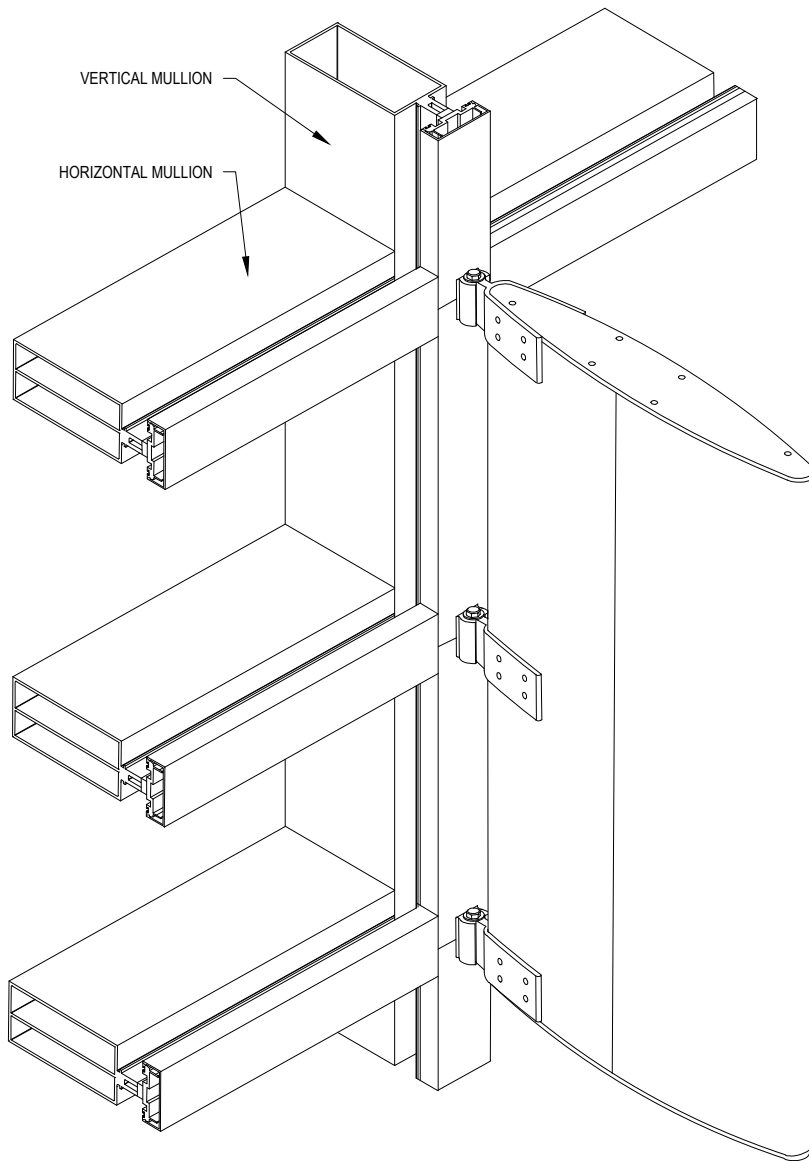




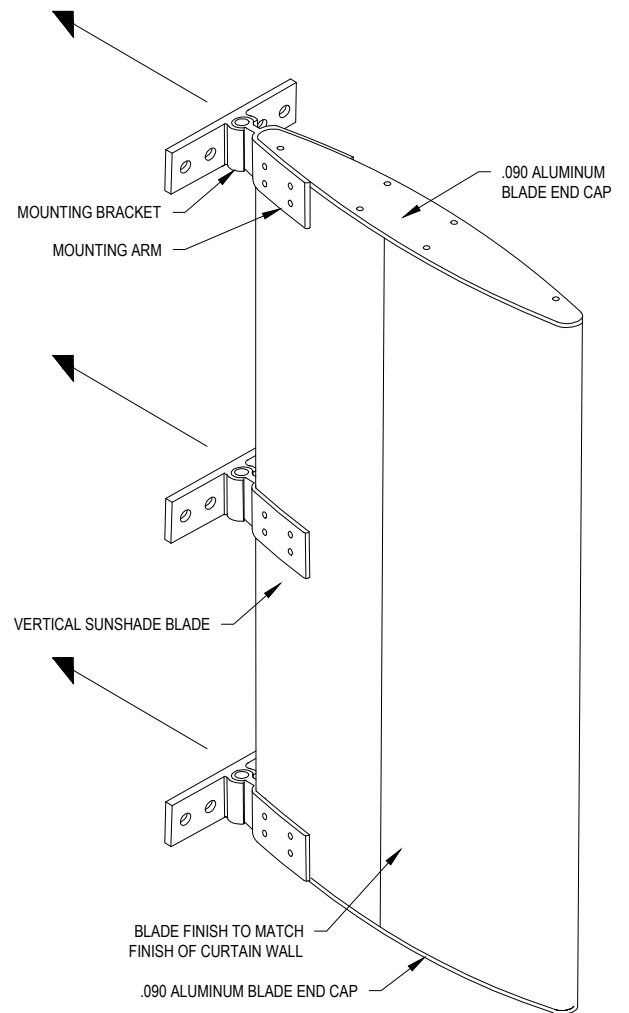
1 Isometric  
Scale: N.T.S. Arch Ref: N/A

2 Isometric at Joint  
Scale: N.T.S. Arch Ref: N/A





VERTICAL BLADE SUN SHADE DETAILS  
ISOMETRIC VIEW



Isometric details shown are for graphical only, subject to engineering.

