



2000B Series

Description: For 1" Glazing

Function: Windows

Detail: Fixed

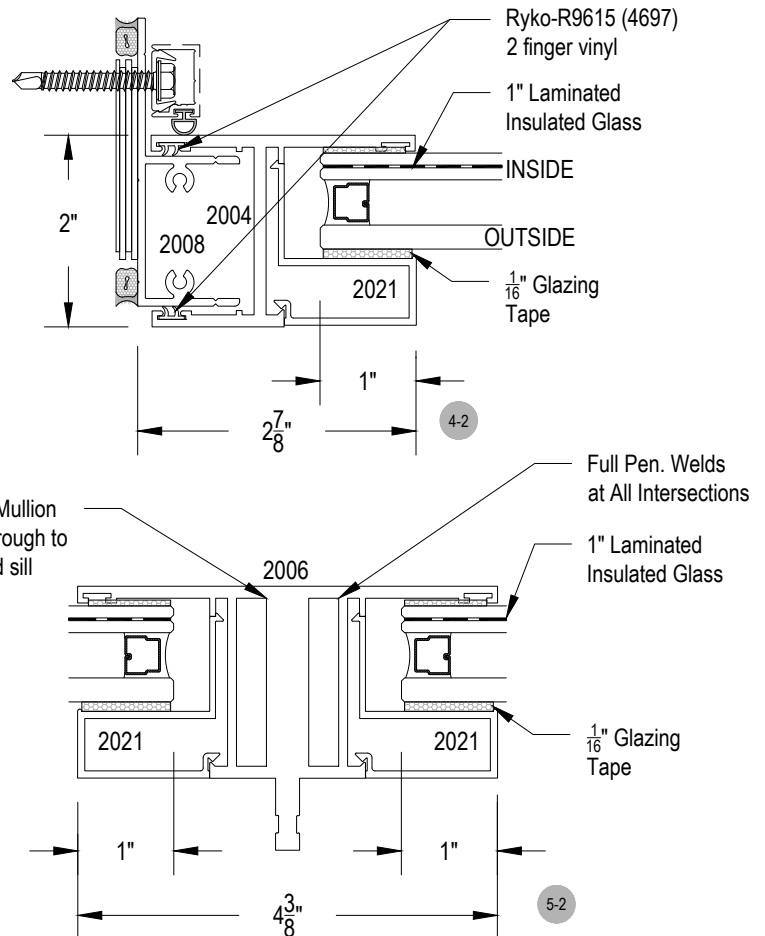
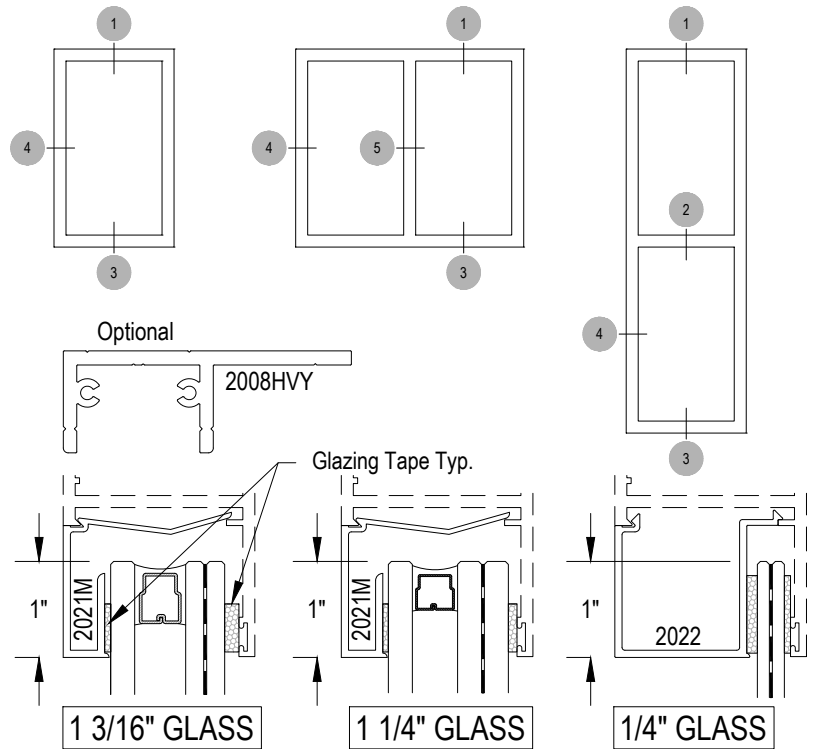
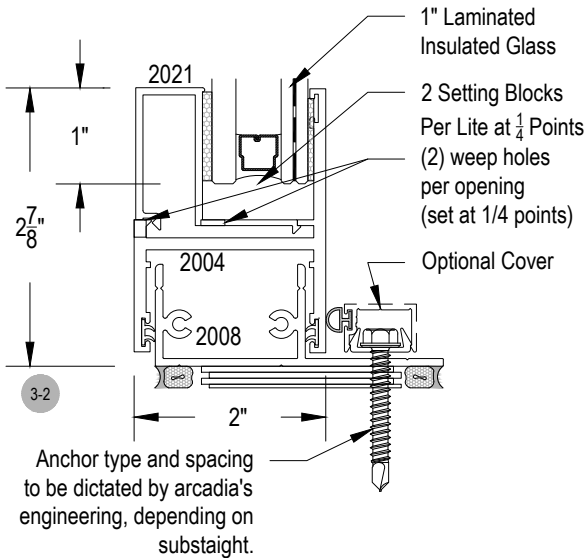
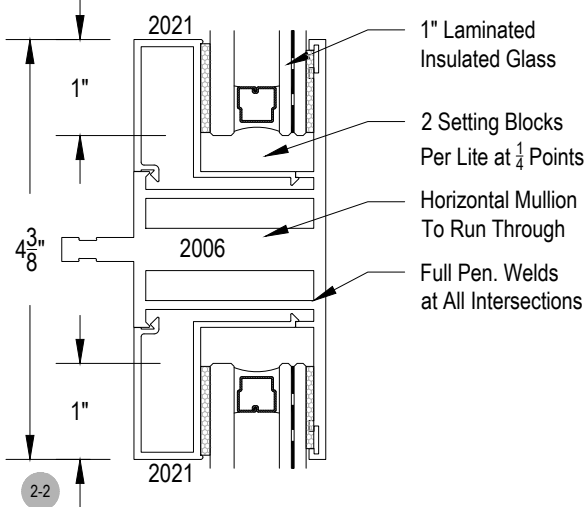
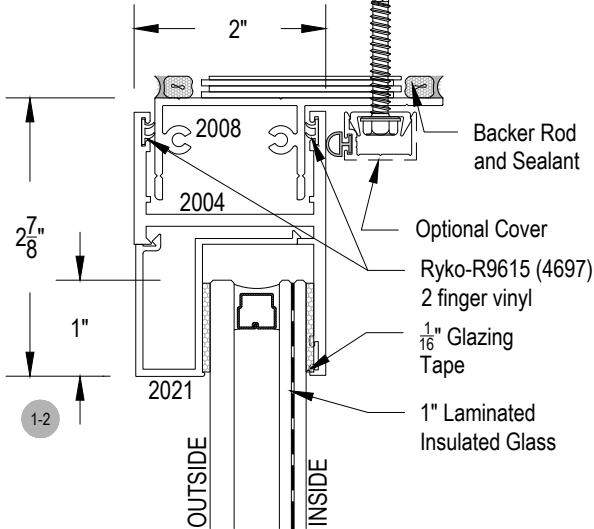
Scale: 6" = 1'-0"

MEETS: UFC 04-010-01 -D.O.D.

MIN. ANTITERRORISM STANDARDS FOR BUILDINGS

SHEET 1 OF 3

Anchor type and spacing to be dictated by arcadia's engineering, depending on substaigt.





2000B Series

Description: For 1" Glazing

Function: Windows

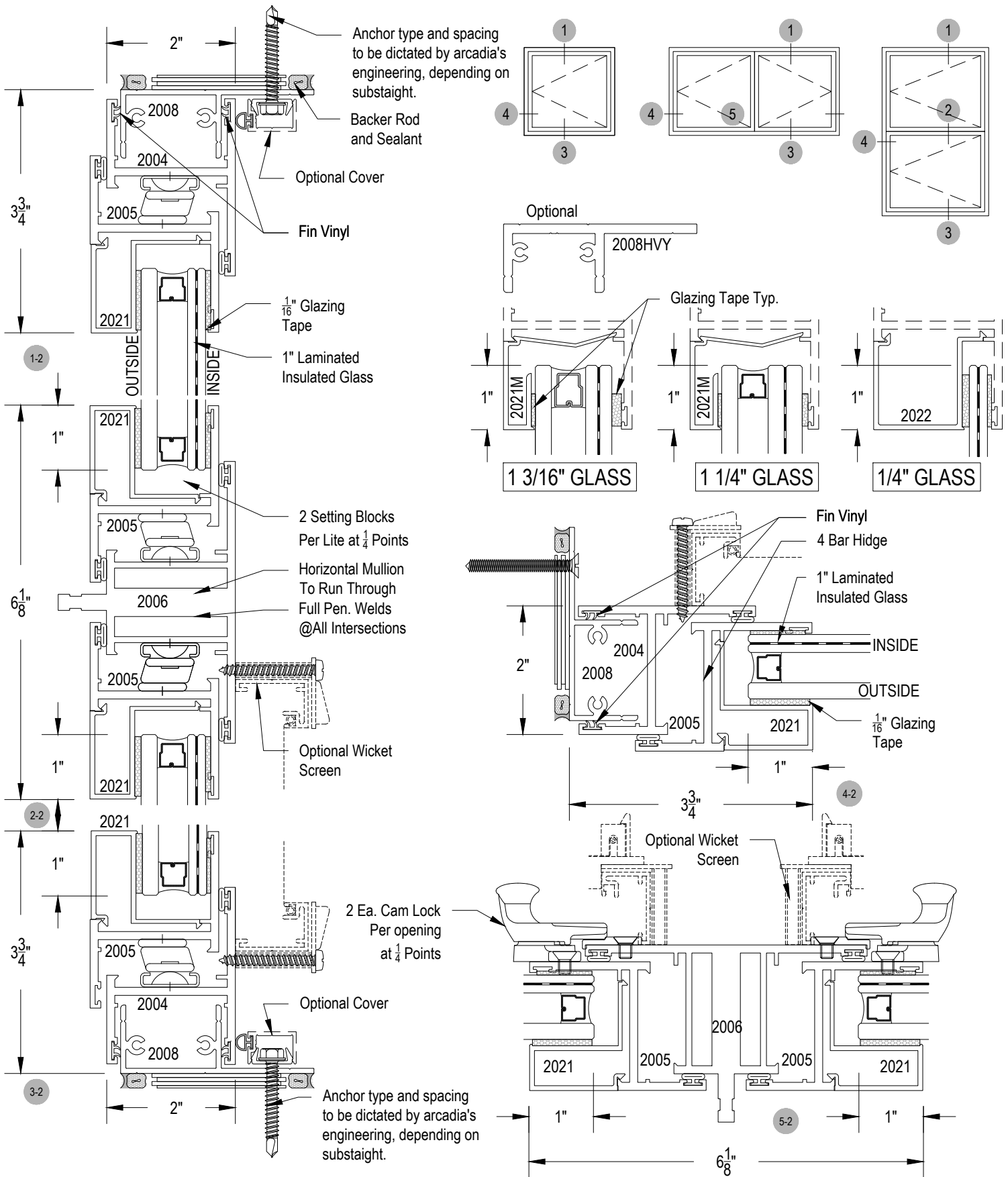
Detail: Casement

Scale: 6" = 1'-0"

MEETS: UFC 04-010-01 -D.O.D.

MIN. ANTITERRORISM STANDARDS FOR BUILDINGS

SHEET 2 OF 3





2000B Series

Description: For 1" Glazing

Function: Windows

Detail: Awning

Scale: 6" = 1'-0"

MEETS: UFC 04-010-01 -D.O.D.

MIN. ANTITERRORISM STANDARDS FOR BUILDINGS

SHEET 3 OF 3

