

Performance Size Limitations

Contact your local Arcadia Rep.

Mullion Bars Are Limited To 36" Long
ASTM E-1886 ASTM E-1996

IP200 Series

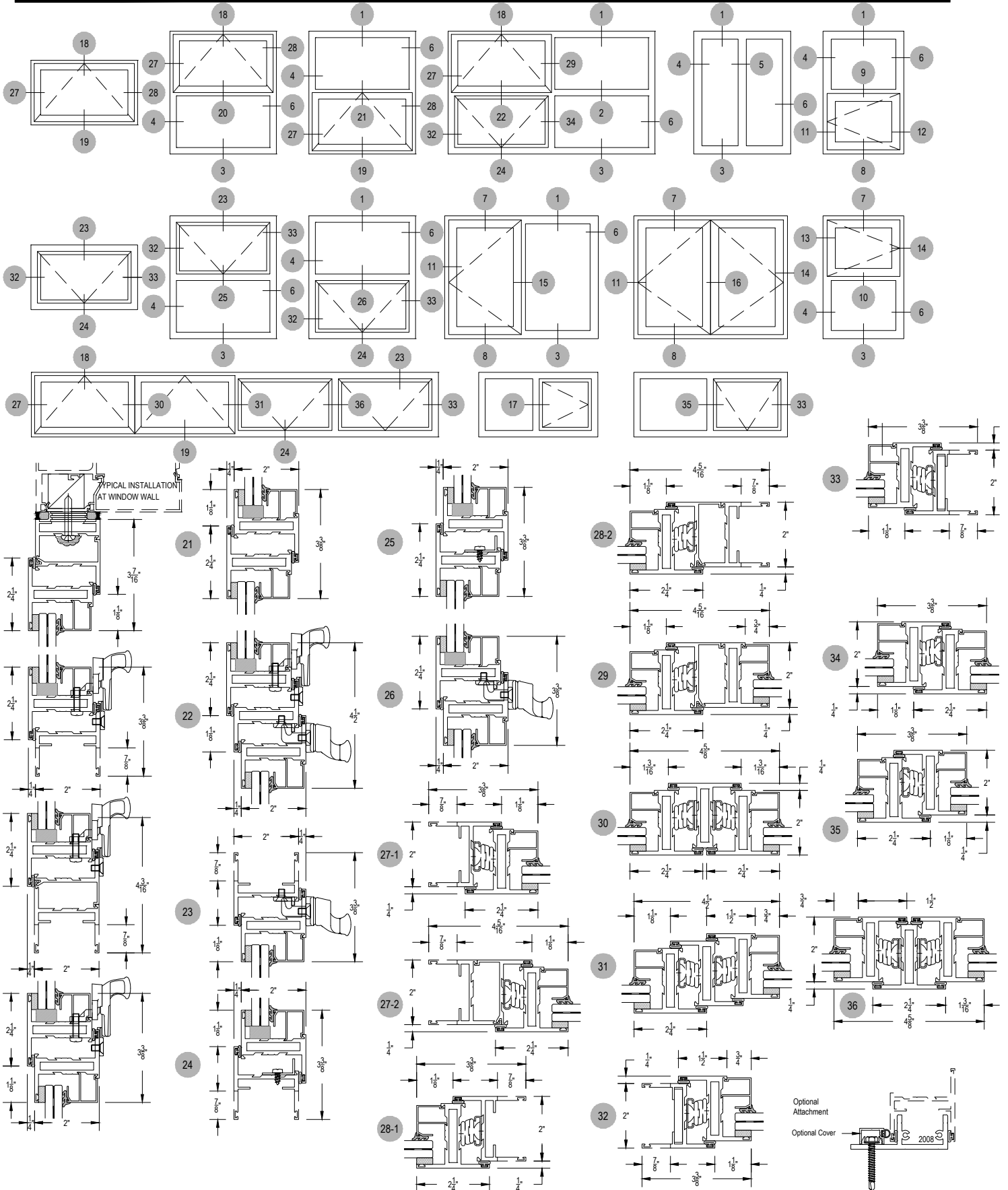
Description: Heavy Commercial window (Inside Set)

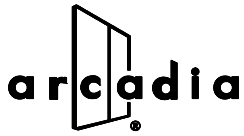
Function: Window - Impact

Detail: Fixed, Casement, Awning, Hopper

Scale: 3" = 1'-0"

SHEET 2 OF 2





Performance Size Limitations

Contact your local Arcadia Rep.

Mullion Bars Are Limited To 36" Long
ASTM E-1886 ASTM E-1996

IP200 Series

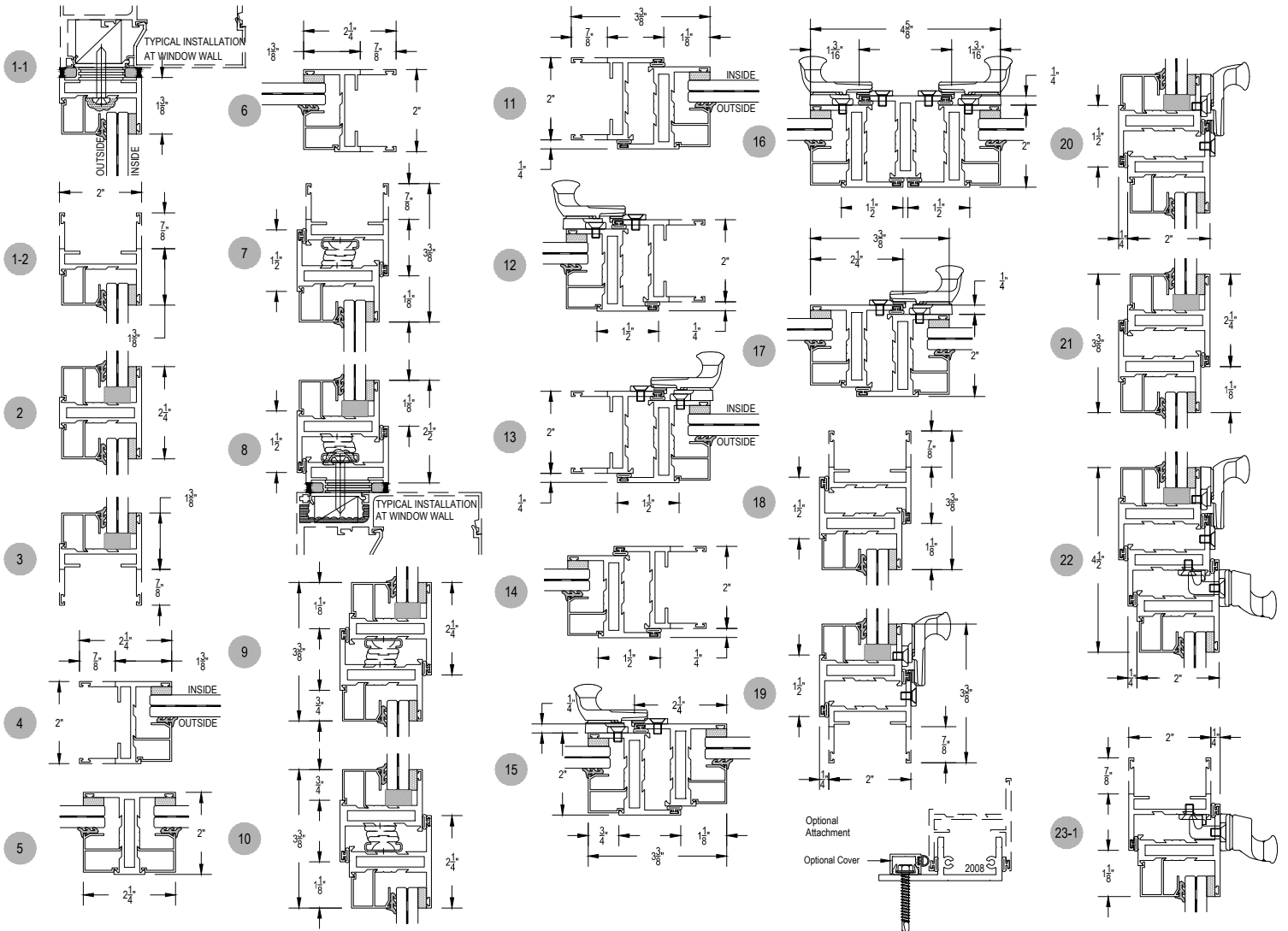
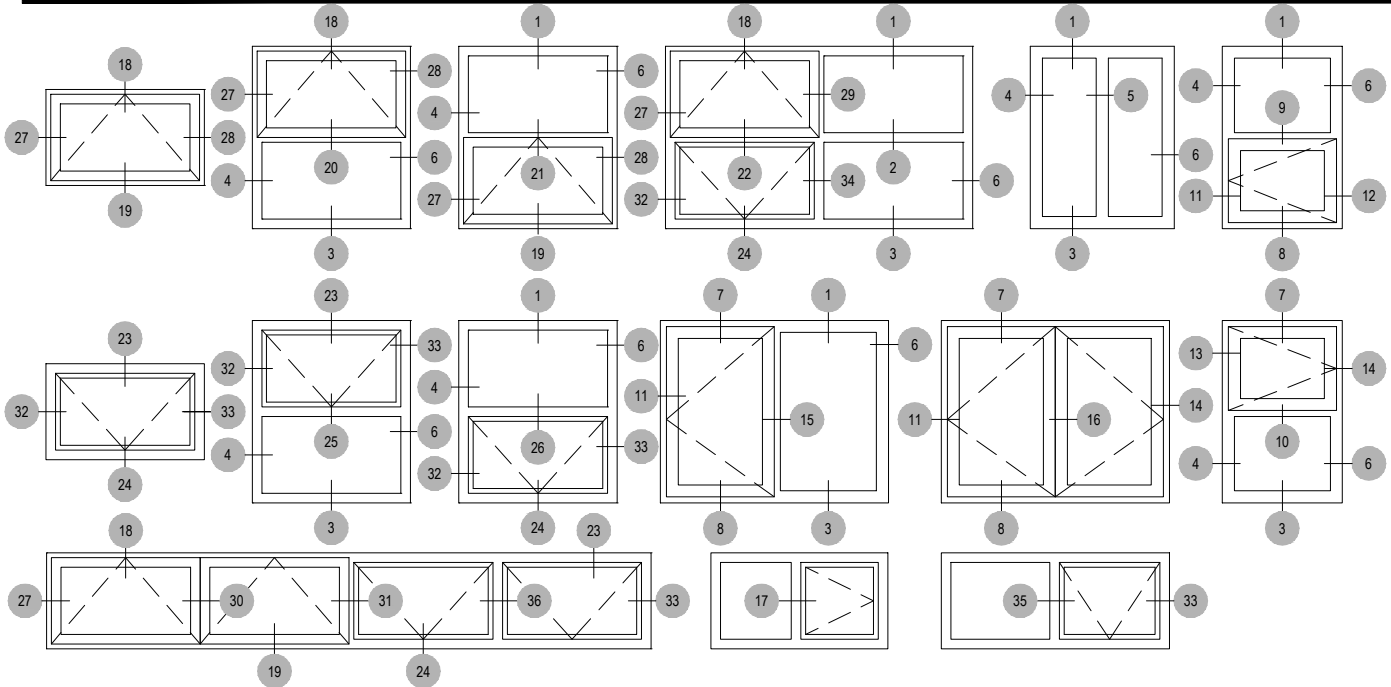
Description: Heavy Commercial window (Outside Set)

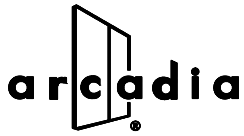
Function: Window - Impact

Detail: Fixed, Casement, Awning, Hopper

Scale: 3" = 1'-0"

SHEET 2 OF 2





Performance Size Limitations

Contact your local Arcadia Rep.

Mullion Bars Are Limited To 36" Long
ASTM E-1886 ASTM E-1996

IP200 Series

Description: Heavy Commercial window (Outside Set)

Function: Window - Impact

Detail: Fixed, Casement, Awning, Hopper

Scale: 3" = 1'-0"

SHEET 1 OF 2

