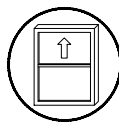




Acoustic



Single Hung

52 STC Series

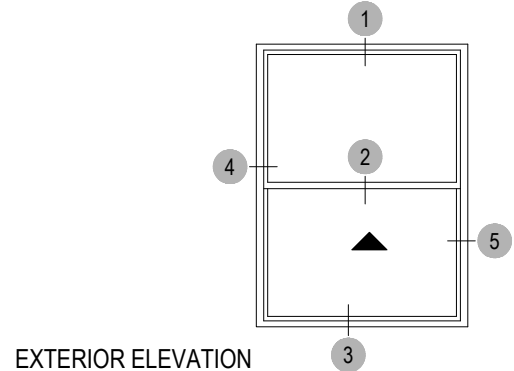
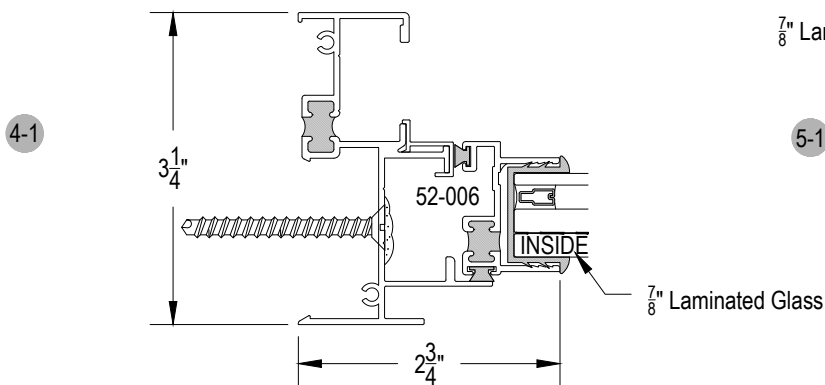
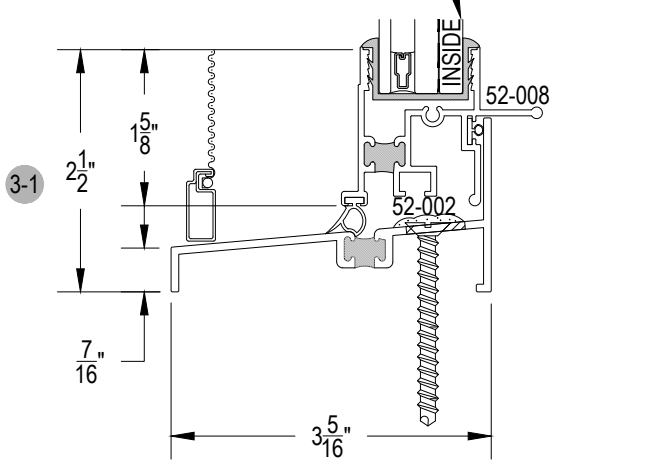
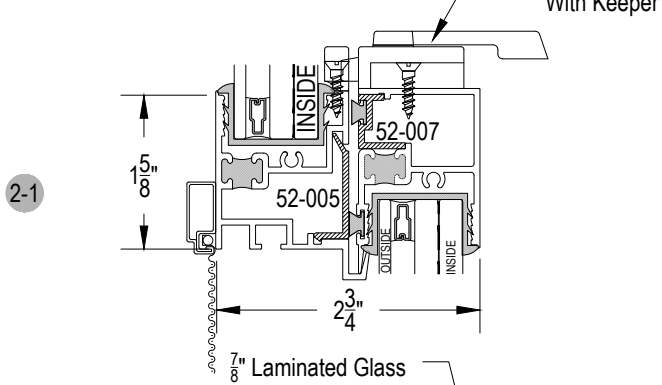
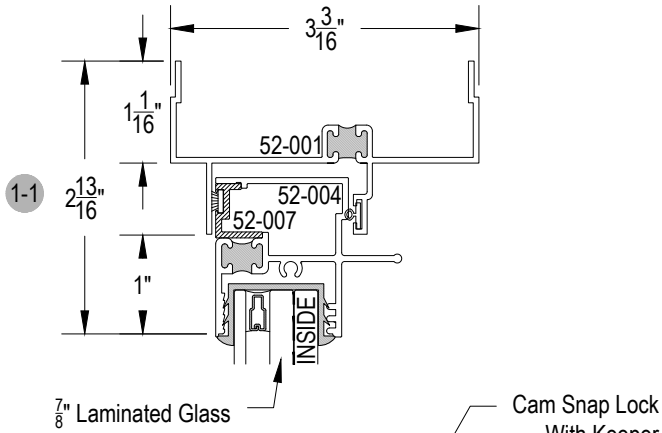
Description: 2 13/16" X 3 5/16" Sliding Acoustical Window

Function: Acoustical - Hung Window - (STC-37)

Detail: All

Scale: 6" = 1'-0"

SHEET 1 OF 1



EXTERIOR ELEVATION
N.T.S.

