



WINDOW ACCESSORIES

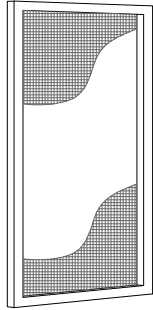
Description: Window Screens

Function: For 200 Series / T200 Series

Detail: ALL

Scale: 1'-0" = 1'-0"

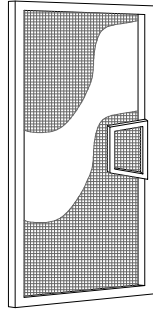
SHEET 1 OF 1



SCREEN TYPE 1

TYPICAL USE

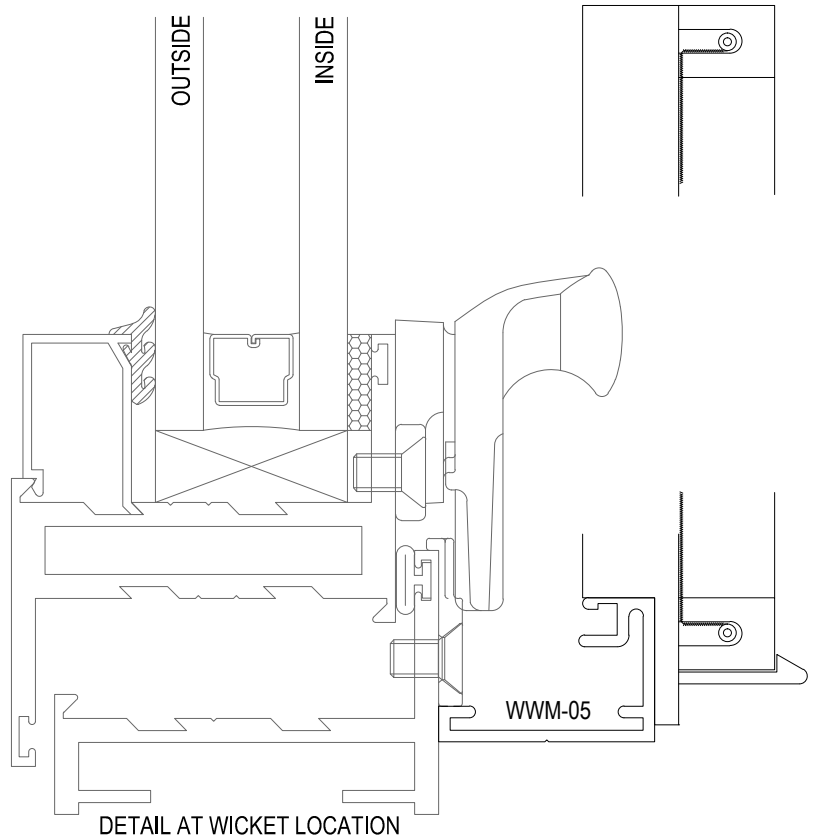
OUTSIDE ON HOPPER WINDOW
HELD IN PLACE WITH Z CLIPS
INSIDE ON CASEMENT WITH ROTO OPERATOR
HELD IN PLACE WITH TURN CLIPS



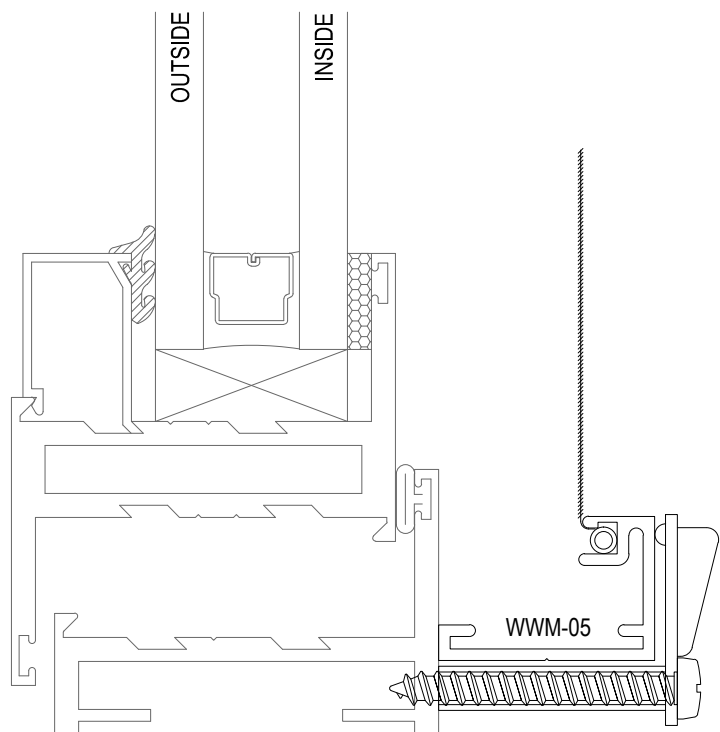
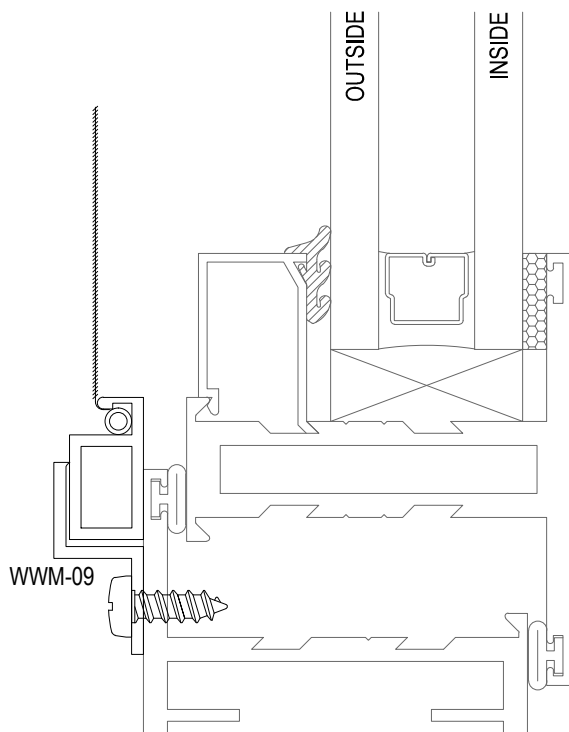
SCREEN TYPE 2
WITH WICKET

TYPICAL USE

INTSIDE ON PROJECTED AND CASEMENT
HELD IN PLACE WITH Z OR TURN CLIPS



DETAIL AT WICKET LOCATION



DETAIL AT NON WICKET LOCATION