

Offset Glazed Side Load Thermal
Optional Projected Cover Cap Available

T500 (OPG17-1800) Series

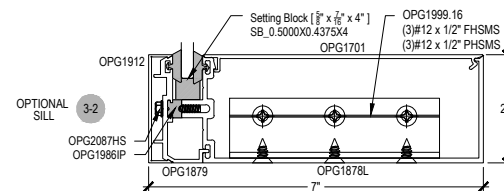
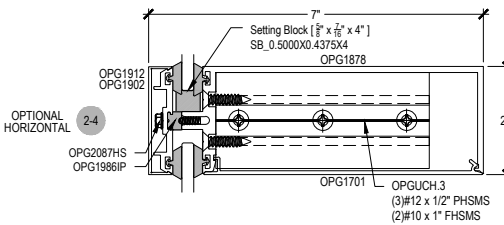
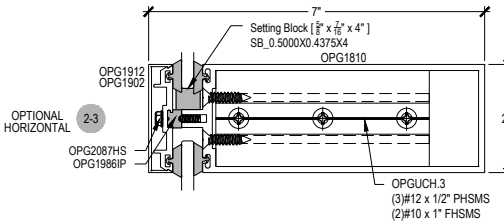
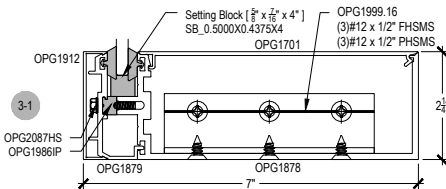
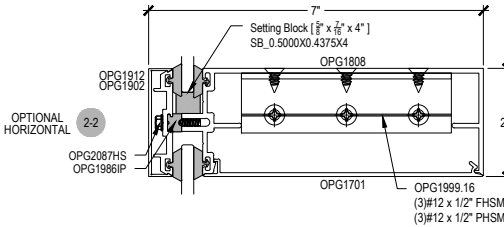
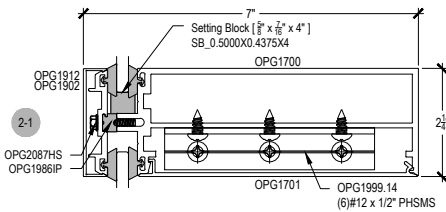
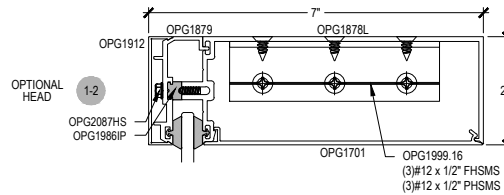
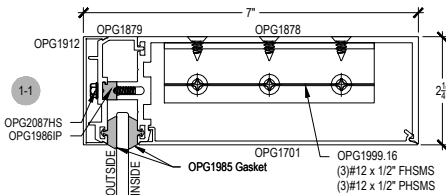
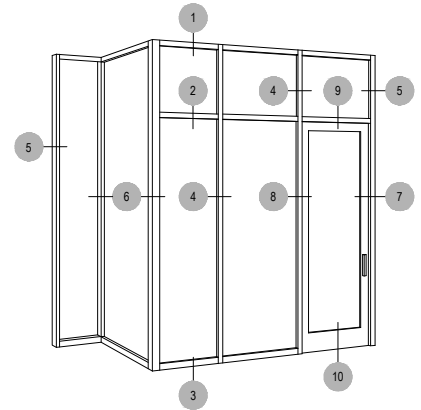
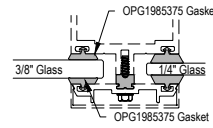
Description: 2 1/4" X 7" With 1/4" - 3/8" Glass

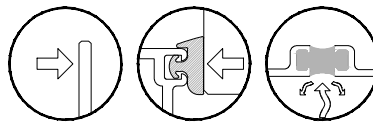
Function: Curtain Wall

Detail: Horizontals

Scale: 3" = 1'-0"

SHEET 1 OF 3





Offset Glazed Side Load Thermal
Optional Projected Cover Cap Available

T500 (OPG17-1800) Series

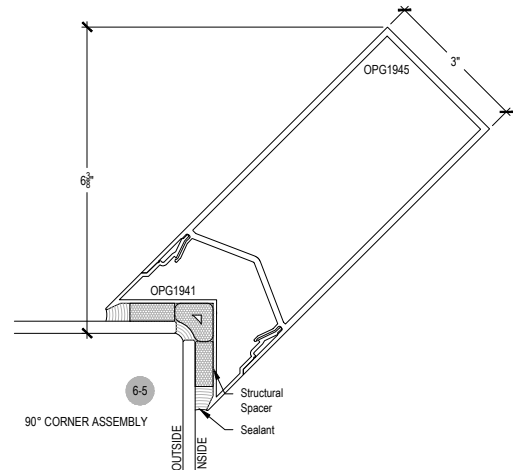
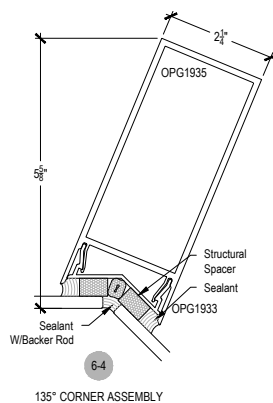
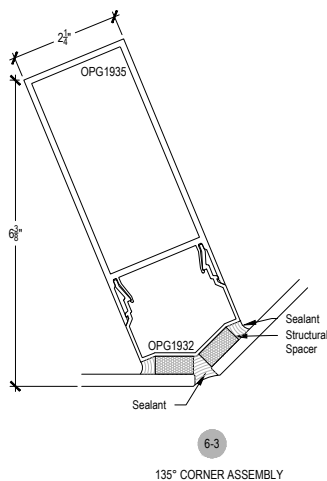
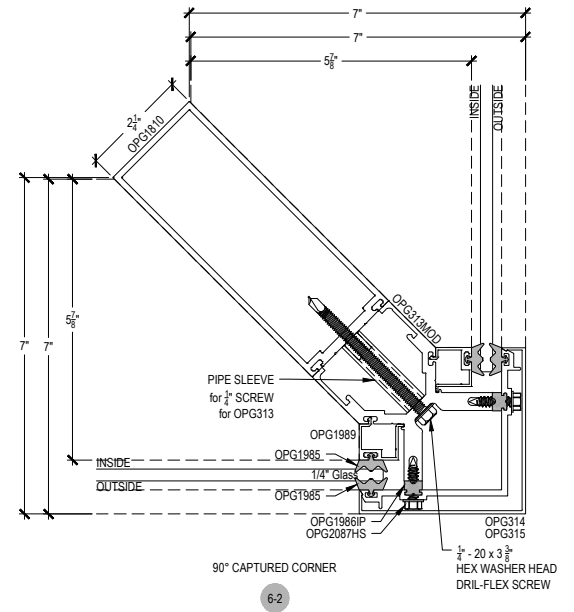
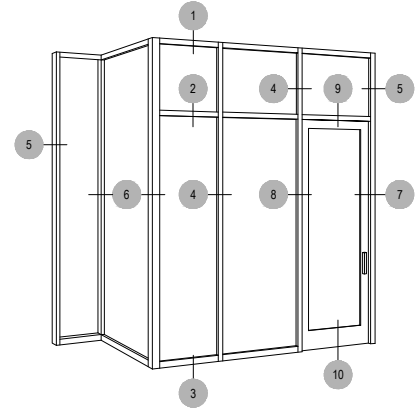
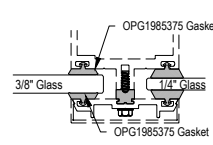
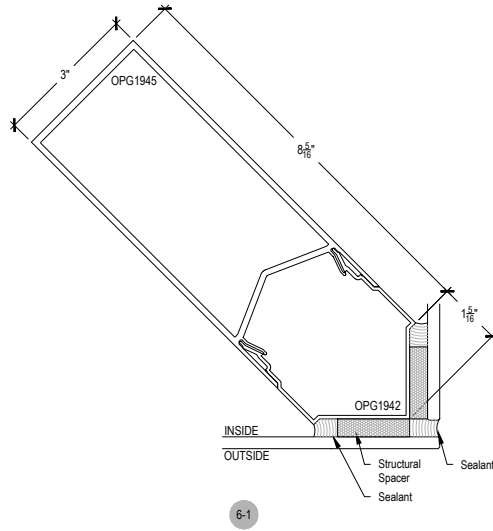
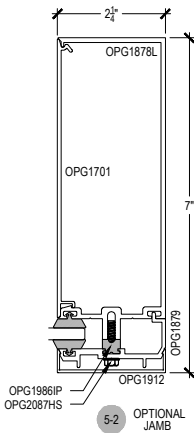
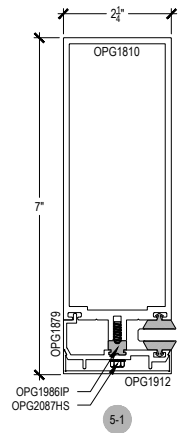
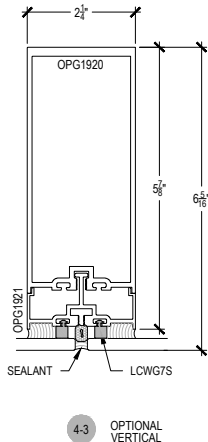
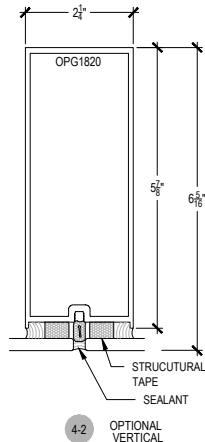
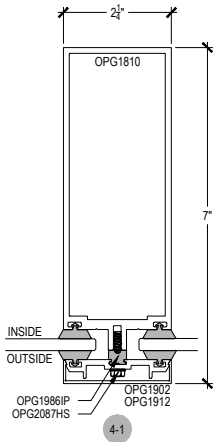
Description: 2 1/4" X 7" With 1/4" - 3/8" Glass

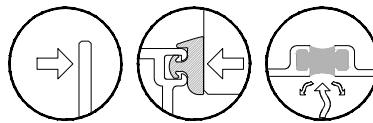
Function: Curtain Wall

Detail: Verticals

Scale: 3" = 1'-0"

SHEET 2 OF 3





Offset Glazed Side Load Thermal
Optional Projected Cover Cap Available

T500 (OPG17-1800) Series

Description: 2 1/4" X 7" With 1/4" - 3/8" Glass

Function: Curtain Wall

Detail: Doors

Scale: 3" = 1'-0"

SHEET 3 OF 3

