

Offset Glazed Side Load Thermal

Optional Projected Cover Cap Available

T500 (OPG25600) Series

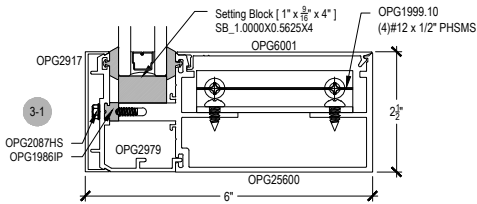
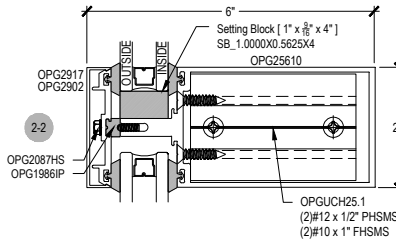
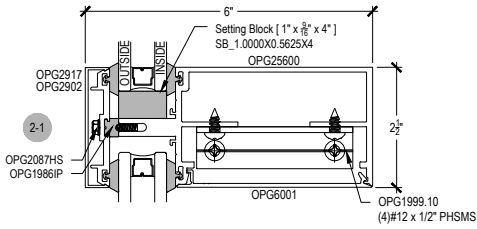
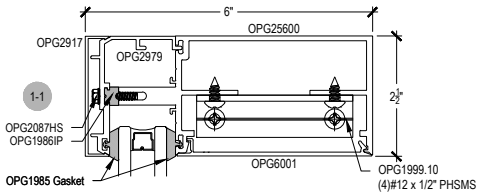
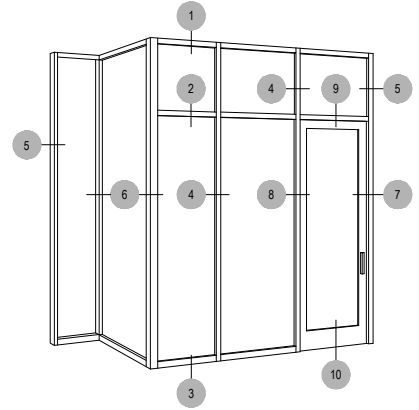
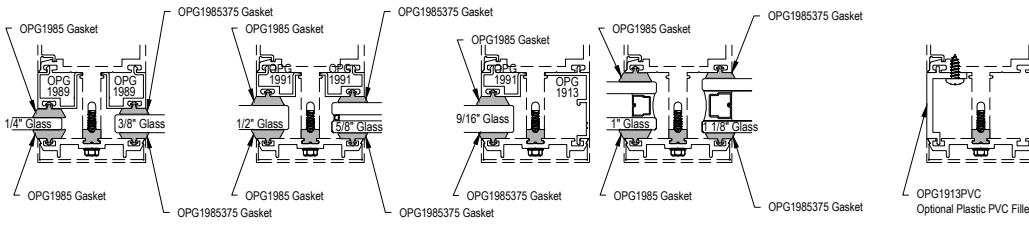
Description: 2 1/2" X 6" With 1/4" - 1 1/8" Glass

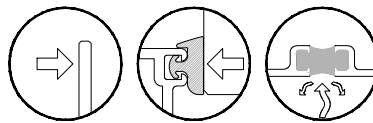
Function: Curtain Wall

Detail: Horizontals

Scale: 3" = 1'-0"

SHEET 1 OF 5





Offset Glazed Side Load Thermal

Optional Projected Cover Cap Available

T500 (OPG25600) Series

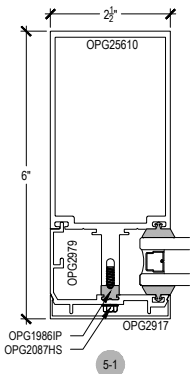
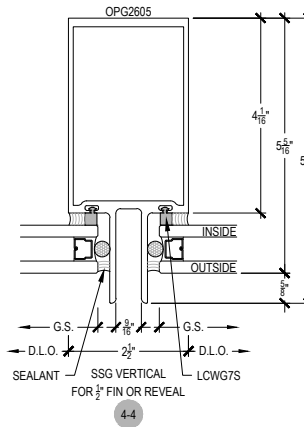
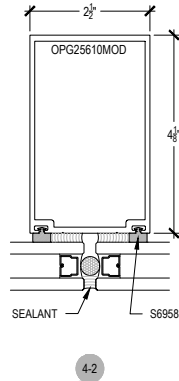
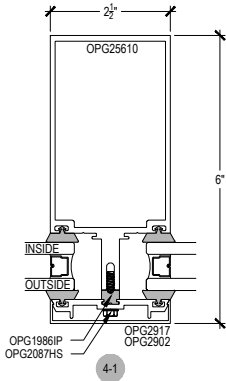
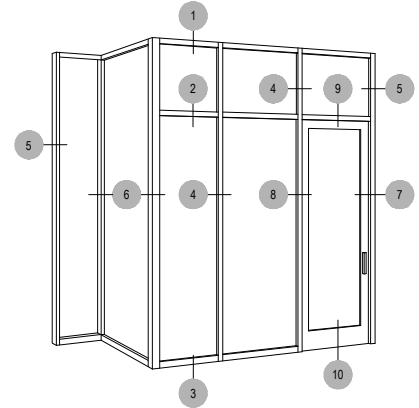
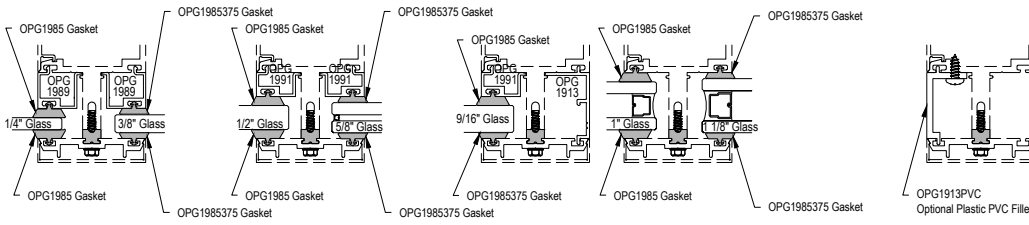
Description: 2 1/2" X 6" With 1/4" - 1 1/8" Glass

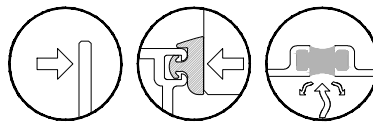
Function: Curtain Wall

Detail: Verticals

Scale: 3" = 1'-0"

SHEET 2 OF 5





Offset Glazed Side Load Thermal
Optional Projected Cover Cap Available

T500 (OPG25600) Series

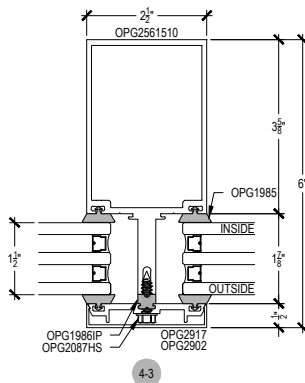
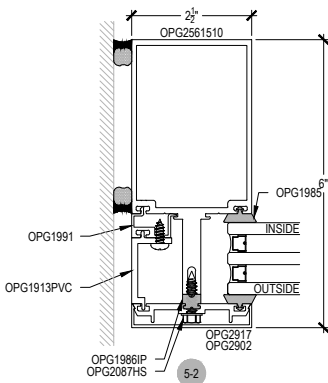
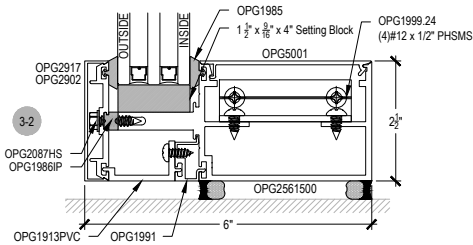
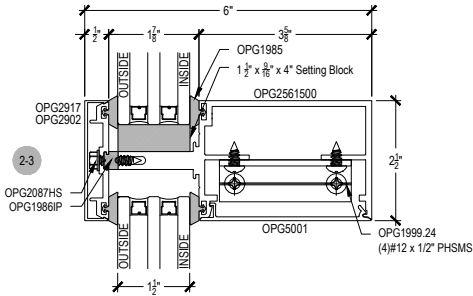
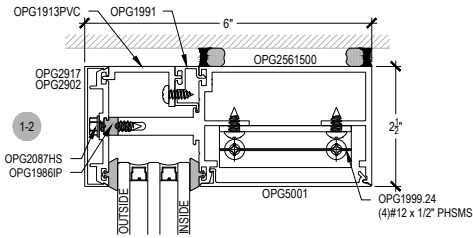
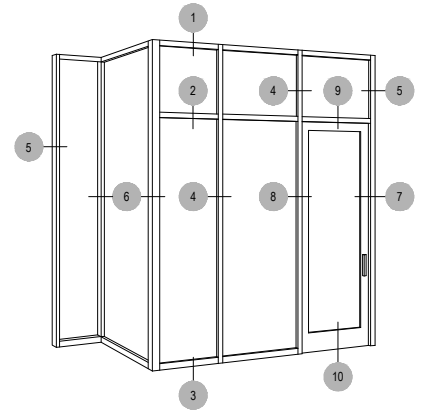
Description: 2 1/2" X 6" With 1 1/2" Glass

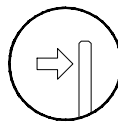
Function: Curtain Wall

Detail: Horizontals & Verticals

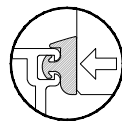
Scale: 3" = 1'-0"

SHEET 3 OF 5

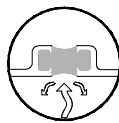




Offset Glazed



Side Load



Thermal

T500 (OPG25600) Series

Description: 2 1/2" X 6" With 1/4" - 1 1/8" Glass

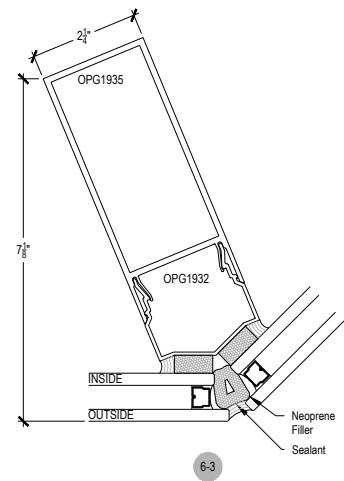
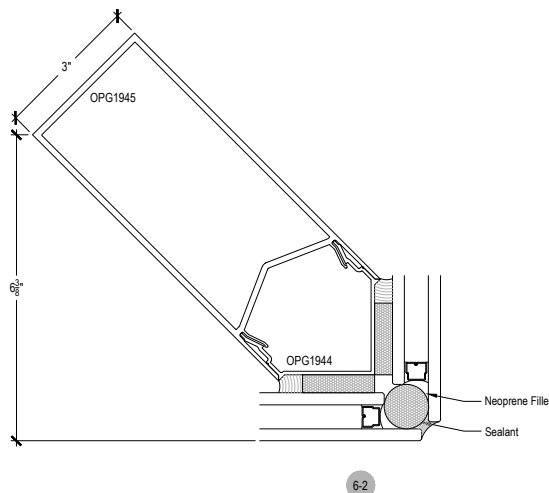
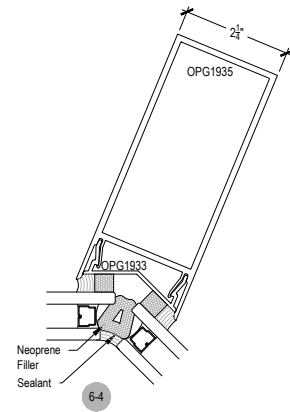
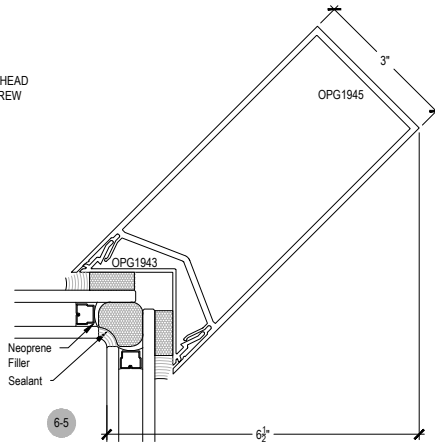
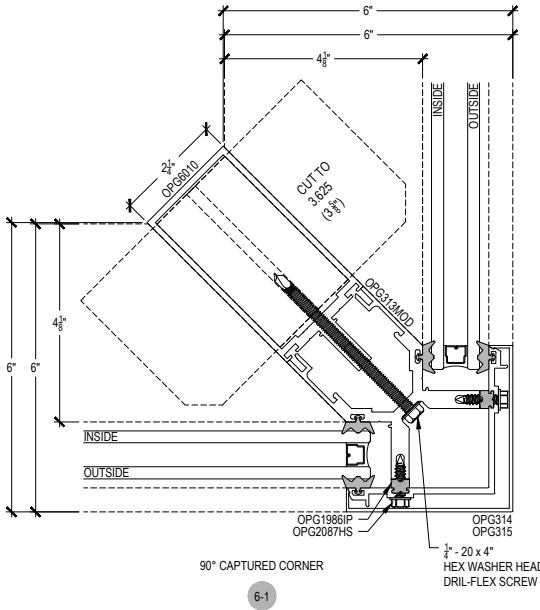
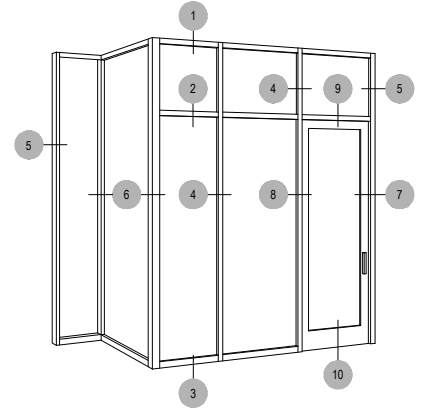
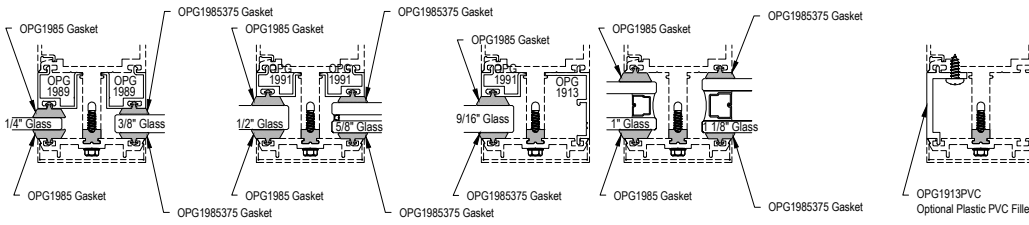
Function: Curtain Wall

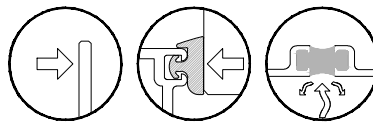
Detail: Corners

Scale: 3" = 1'-0"

SHEET 4 OF 5

Optional Projected Cover Cap Available





Offset Glazed Side Load Thermal
Optional Projected Cover Cap Available

T500 (OPG25600) Series

Description: 2 1/2" X 6" With 1/4" - 1 1/8" Glass

Function: Curtain Wall

Detail: Doors

Scale: 3" = 1'-0"

SHEET 5 OF 5

