



Brise Soleil Flex Series

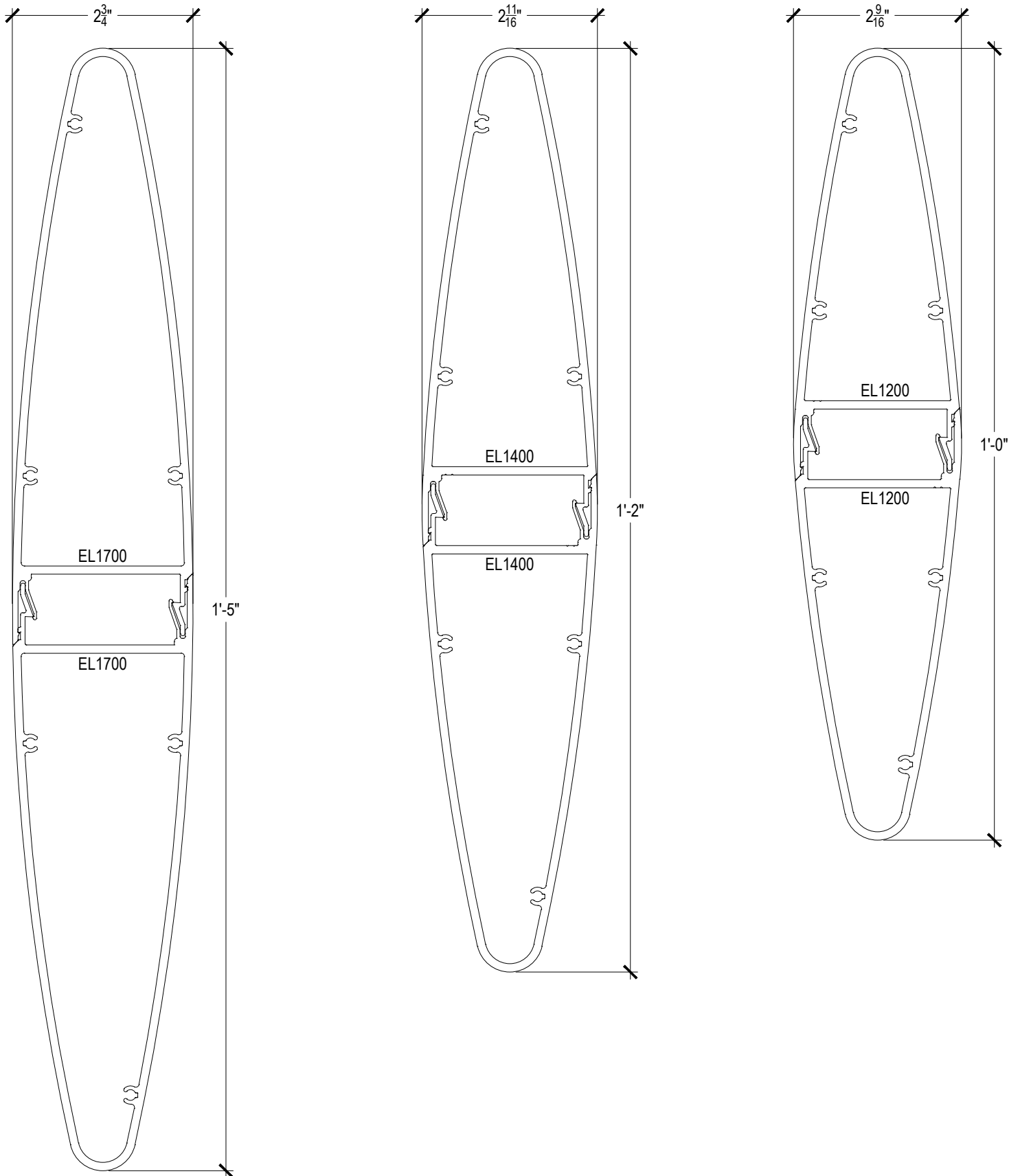
Description: Multi Directional Series

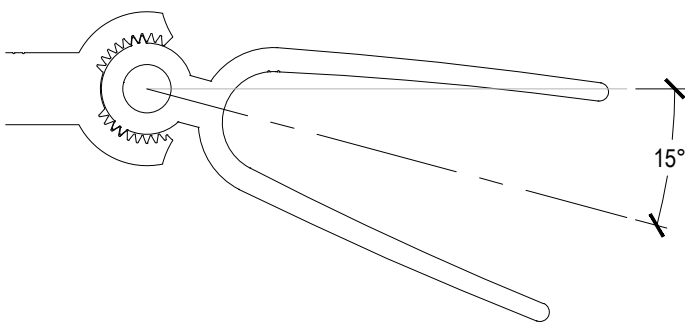
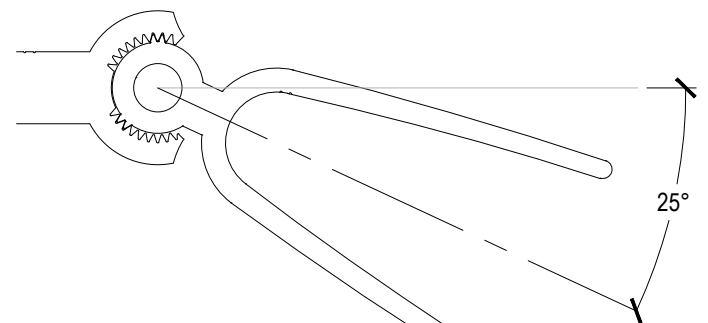
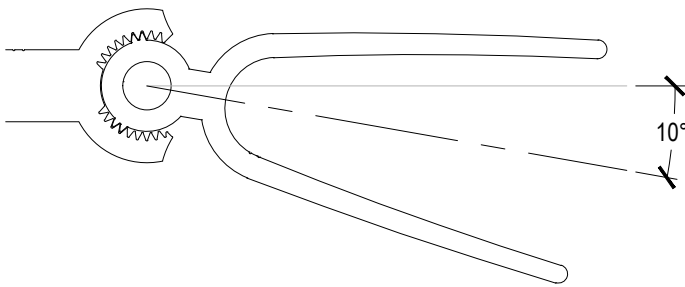
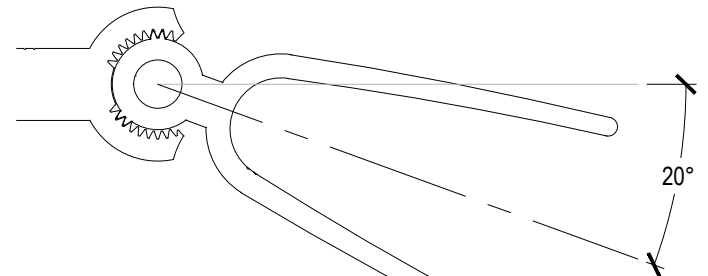
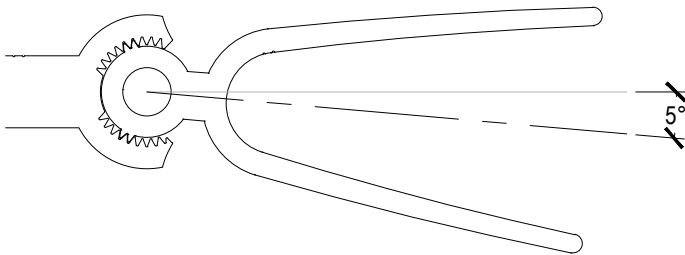
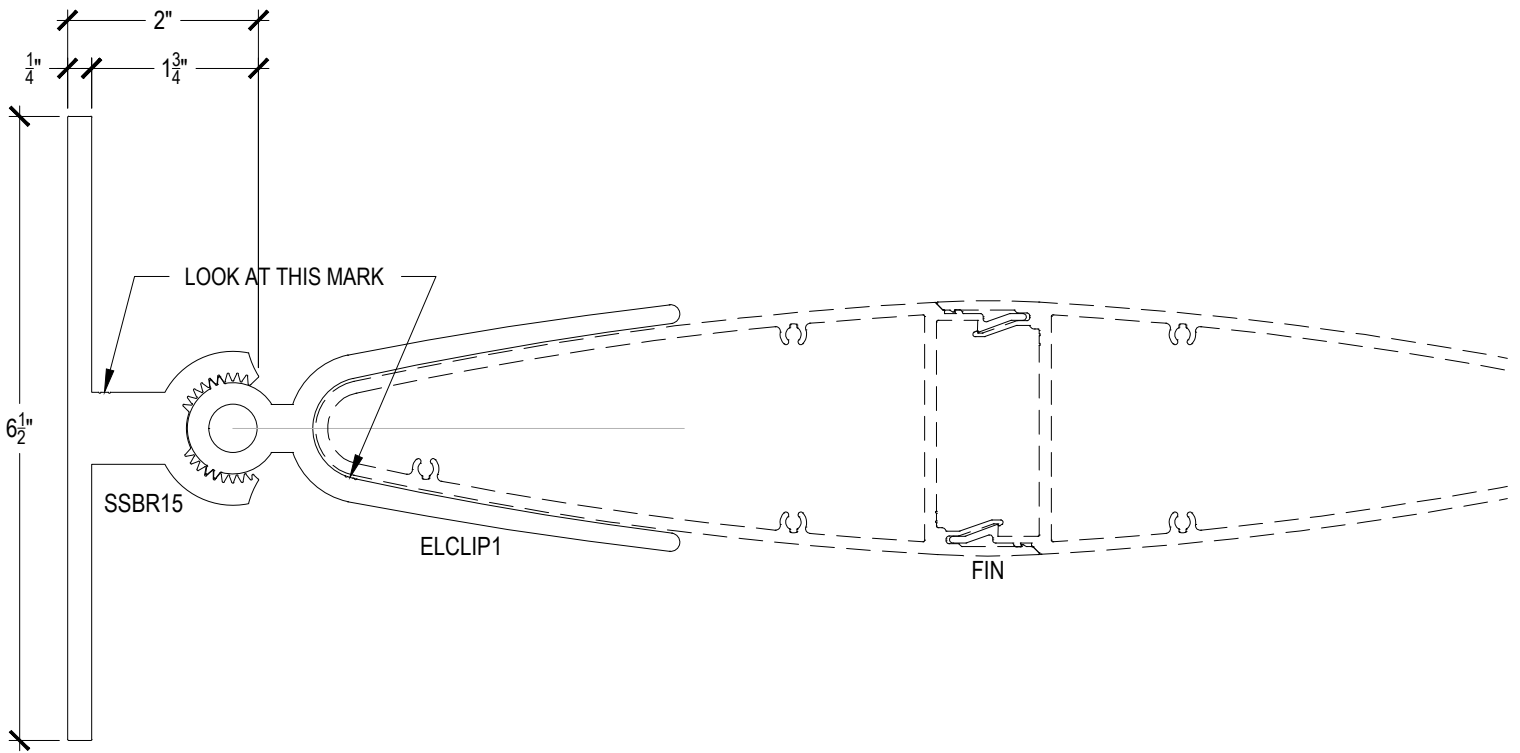
Function: Sun Control

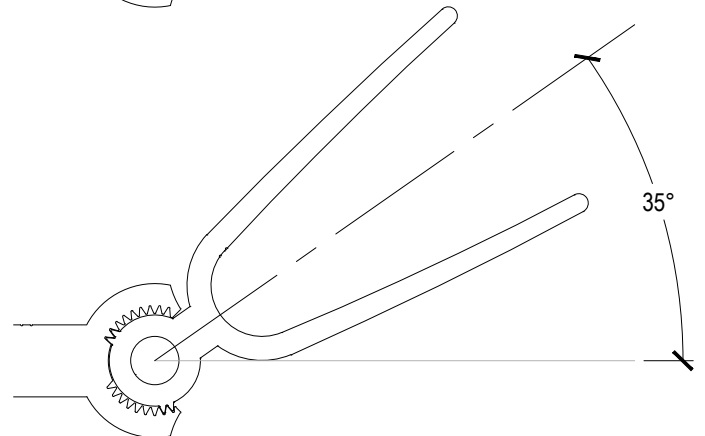
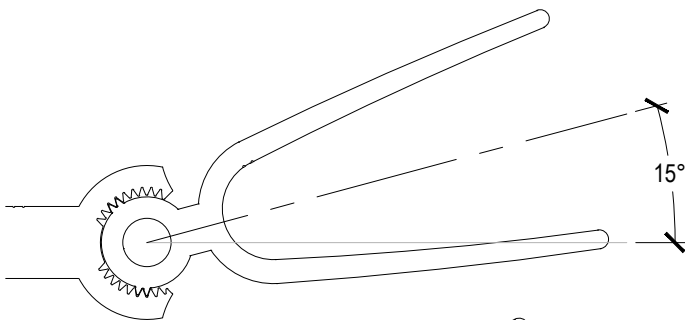
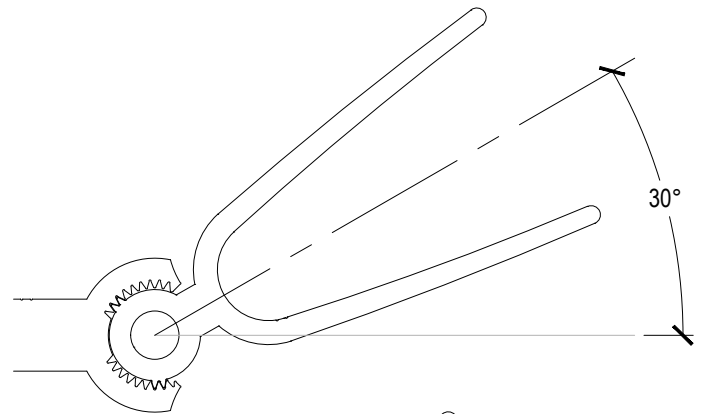
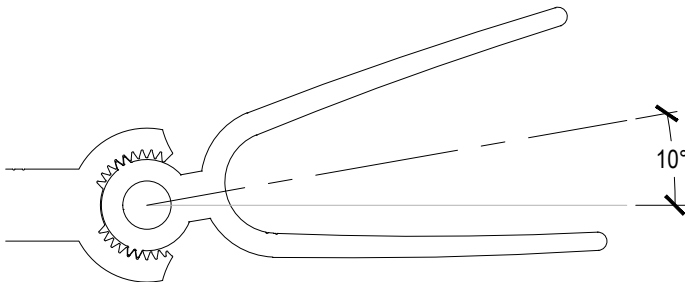
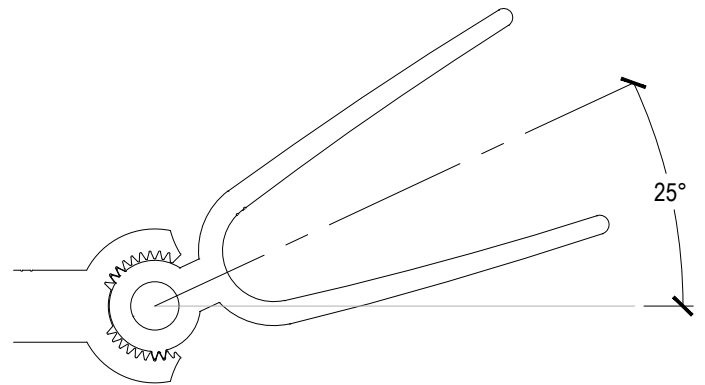
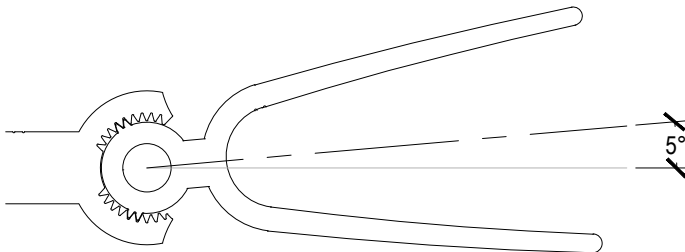
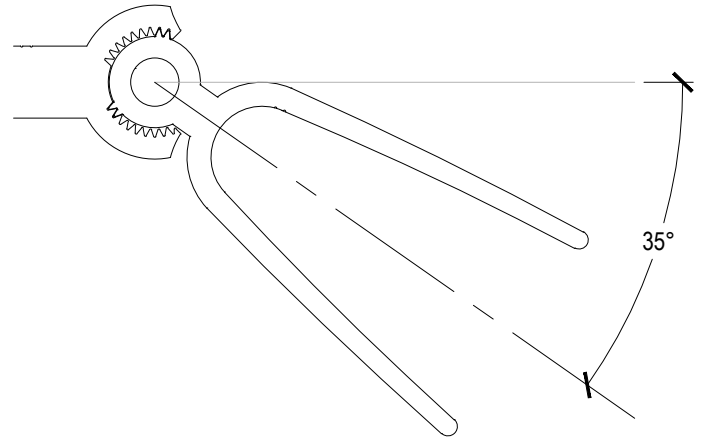
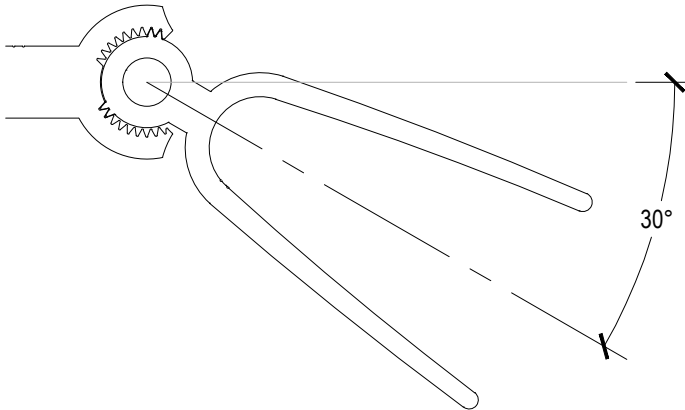
Detail: Fin

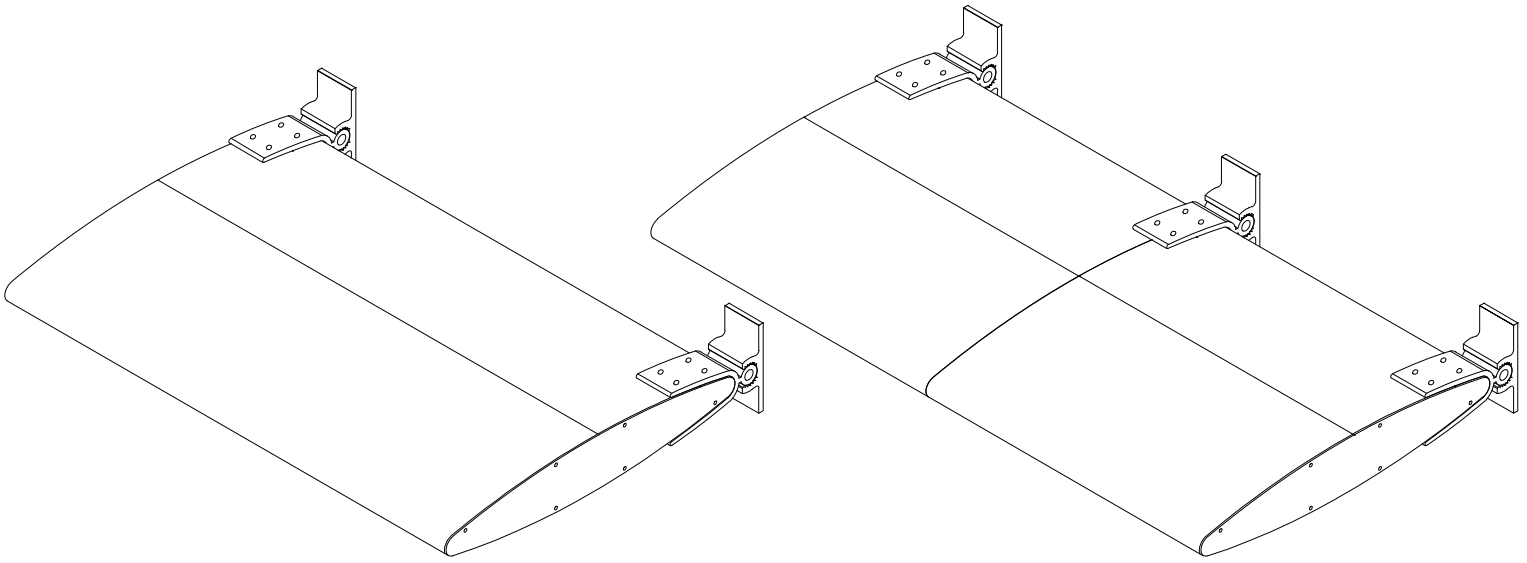
Scale: 6" = 1'-0"

SHEET 1 OF 6



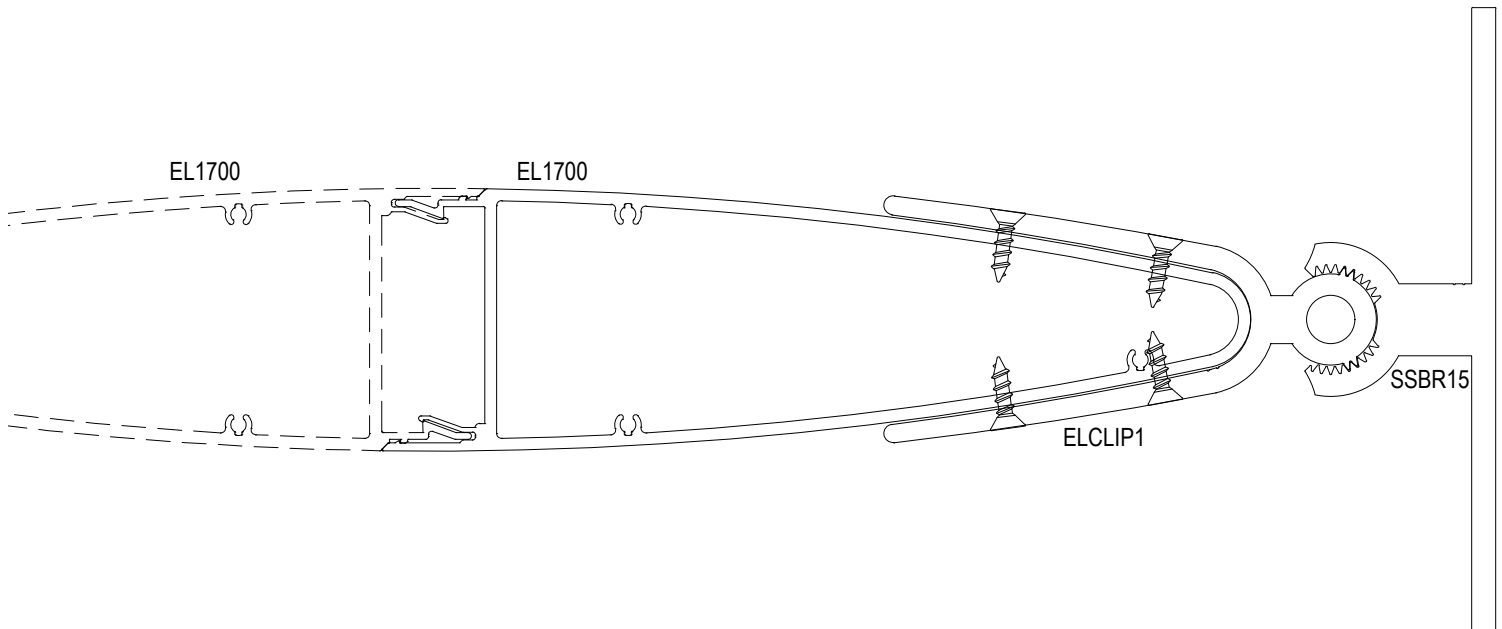


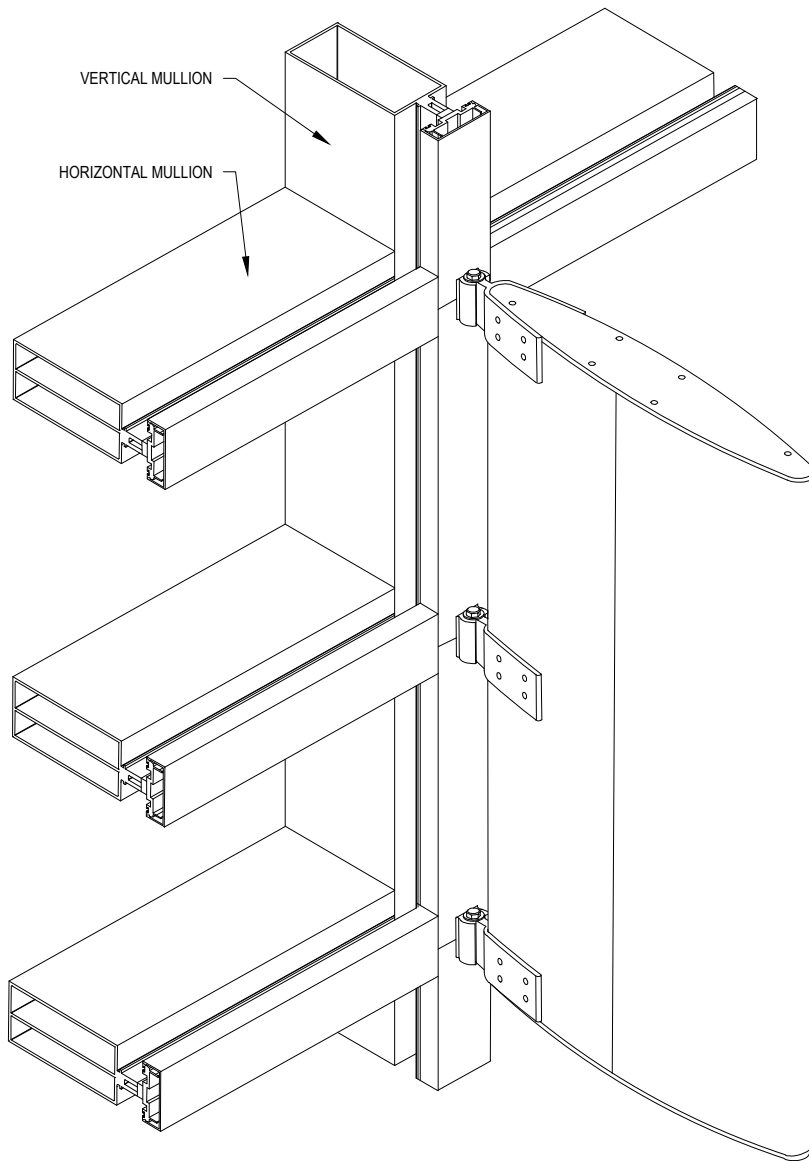




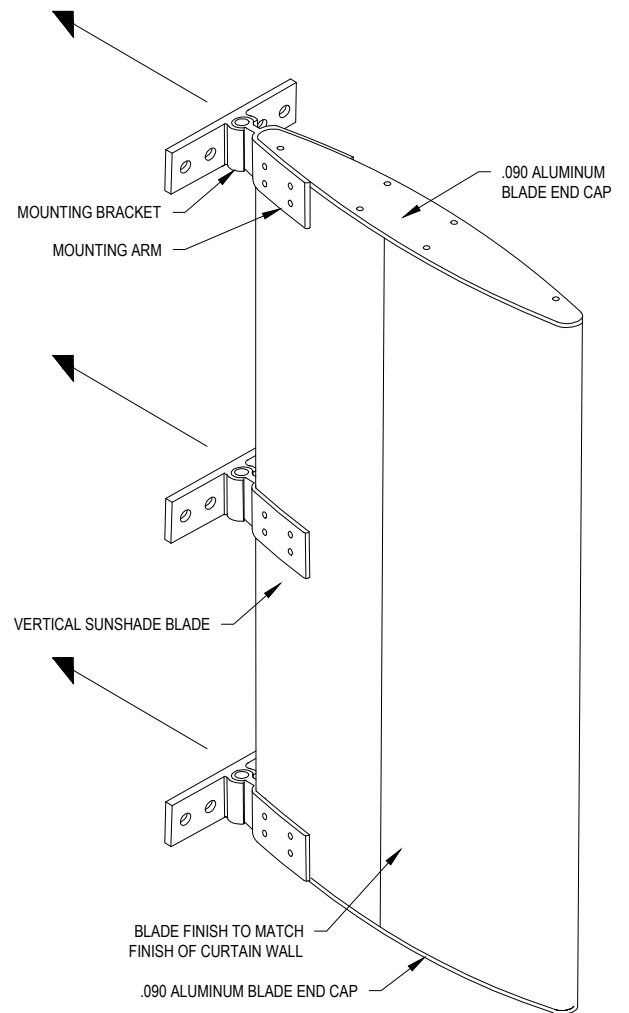
1 Isometric
Scale: N.T.S. Arch Ref: N/A

2 Isometric at Joint
Scale: N.T.S. Arch Ref: N/A

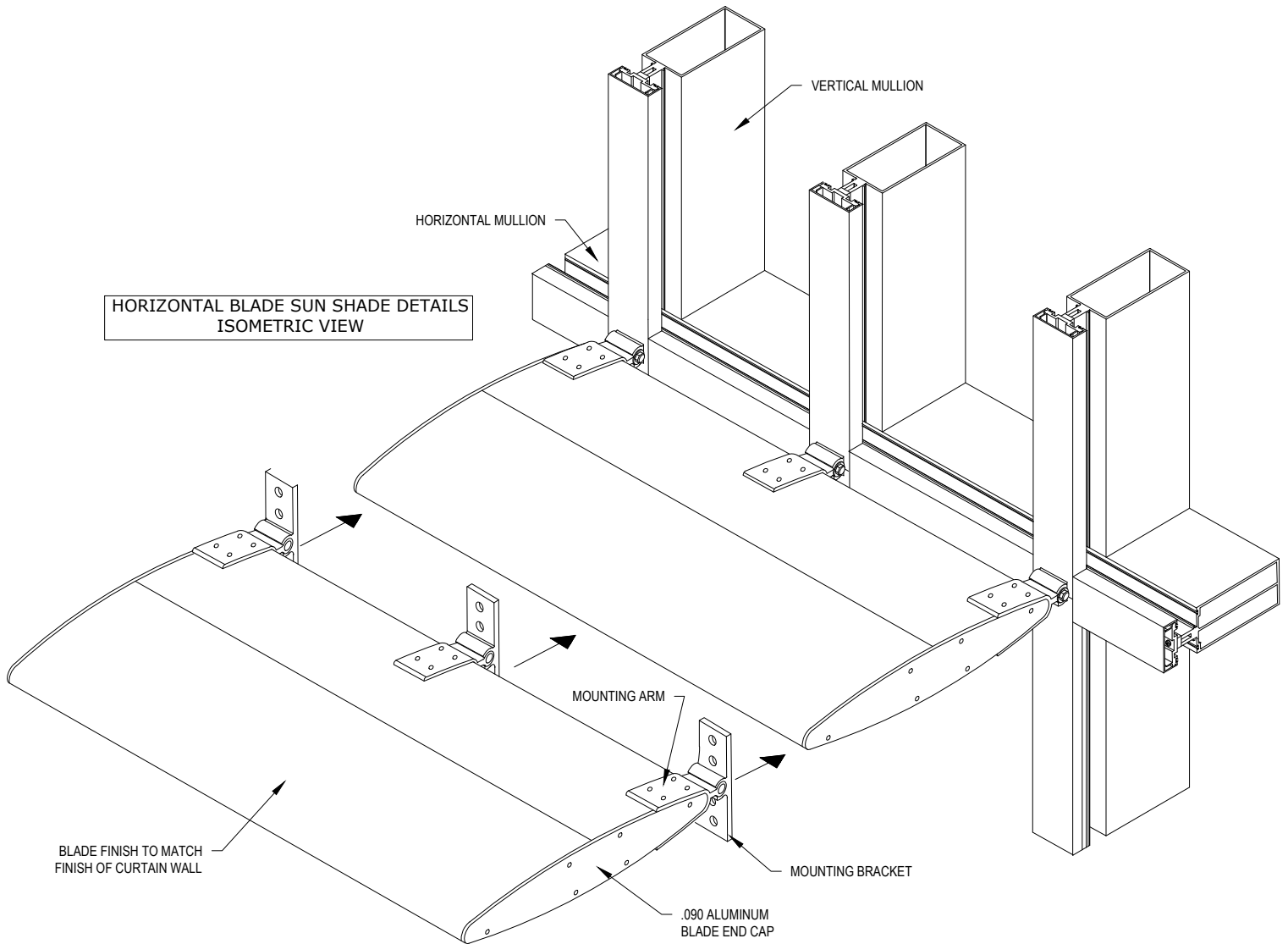




VERTICAL BLADE SUN SHADE DETAILS
ISOMETRIC VIEW



Isometric details shown are for graphical only, subject to engineering.



Isometric details shown are for graphical only, subject to engineering.