

Offset Glazed    Side Load    Thermal  
Optional Projected Cover Cap Available

# T500 (OPG3007) Series

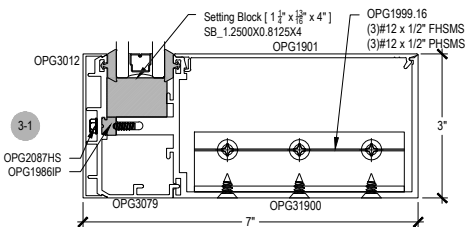
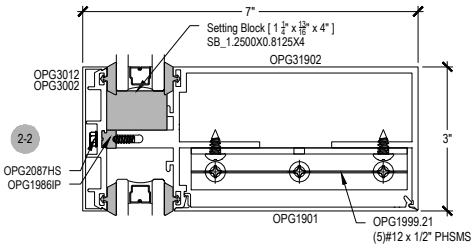
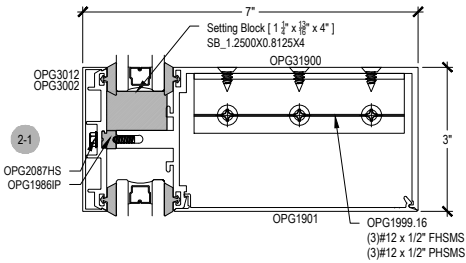
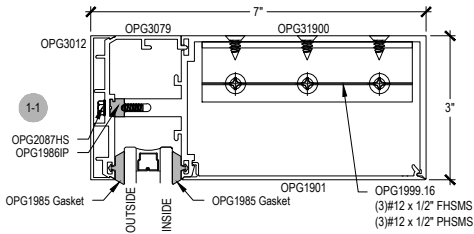
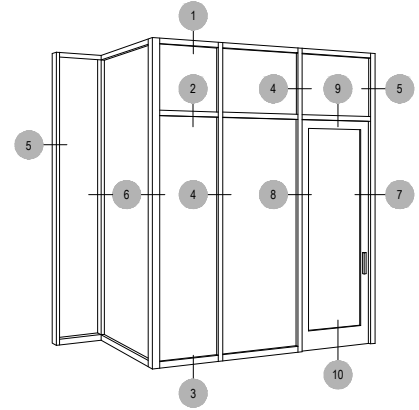
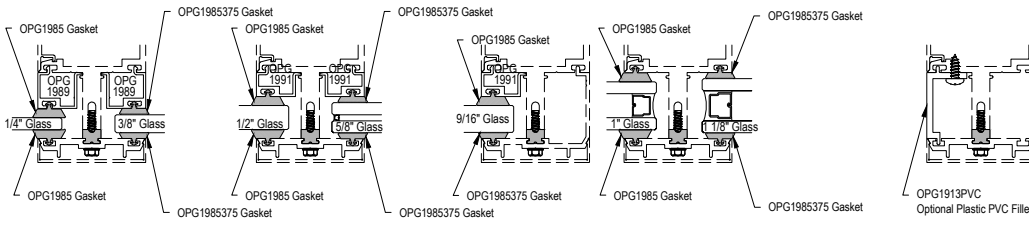
Description: 3" X 7" With 1/4" - 1 1/8" Glass

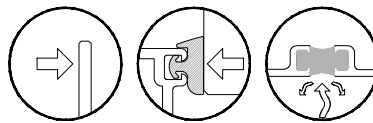
Function: Curtain Wall

Detail: Horizontals

Scale: 3" = 1'-0"

SHEET 1 OF 4





Offset Glazed Side Load Thermal  
Optional Projected Cover Cap Available

# T500 (OPG3007) Series

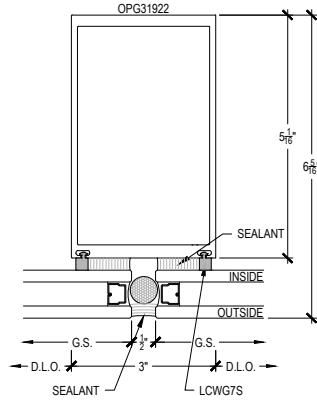
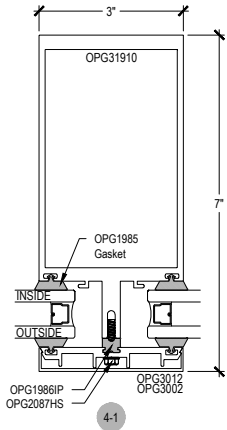
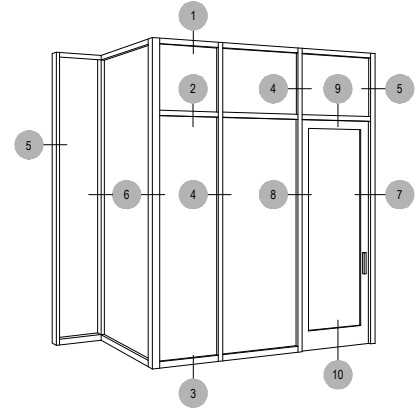
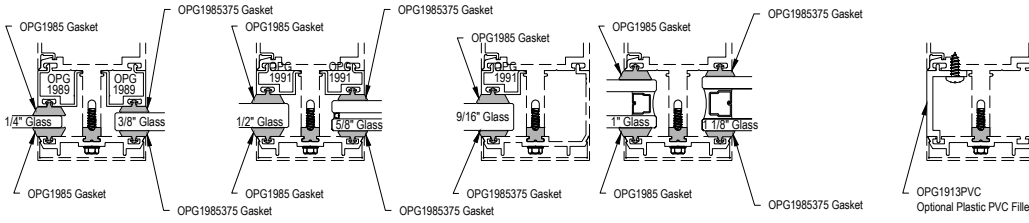
Description: 3" X 7" With 1/4" - 1 1/8" Glass

Function: Curtain Wall

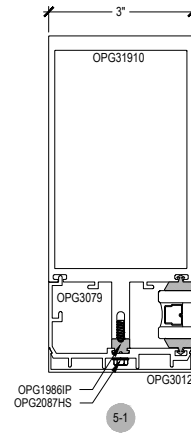
Detail: Verticals

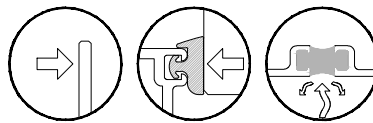
Scale: 3" = 1'-0"

SHEET 2 OF 4



SSG VERTICAL





Offset Glazed    Side Load    Thermal  
Optional Projected Cover Cap Available

# T500 (OPG3007) Series

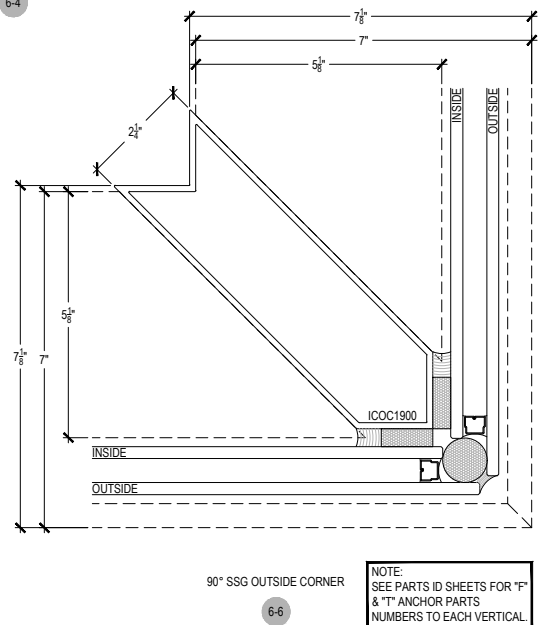
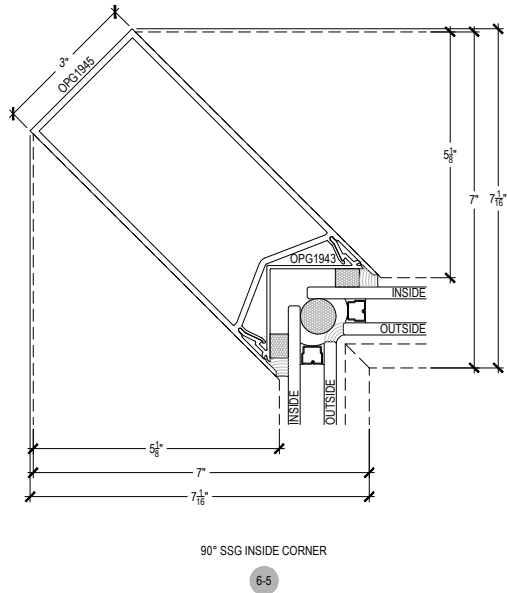
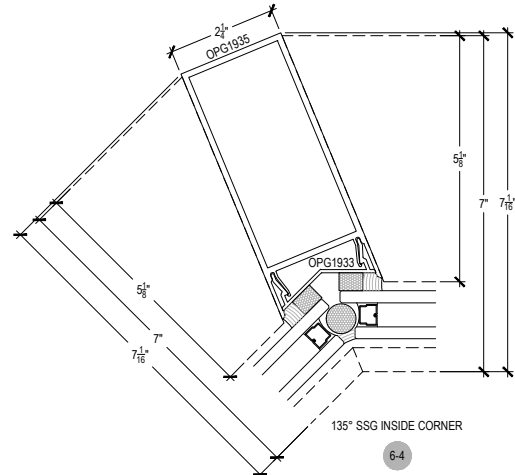
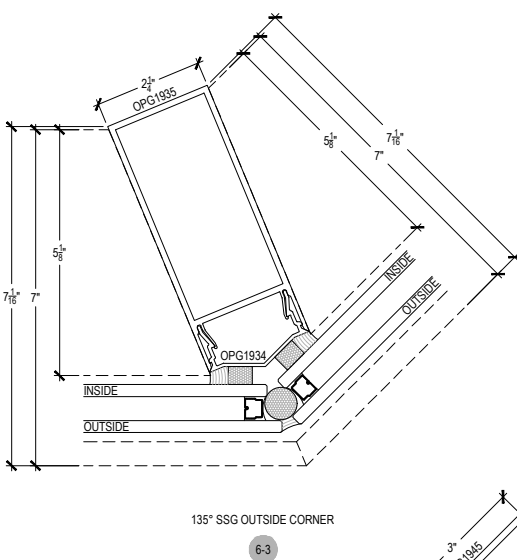
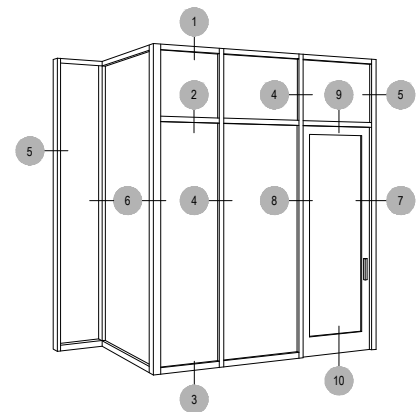
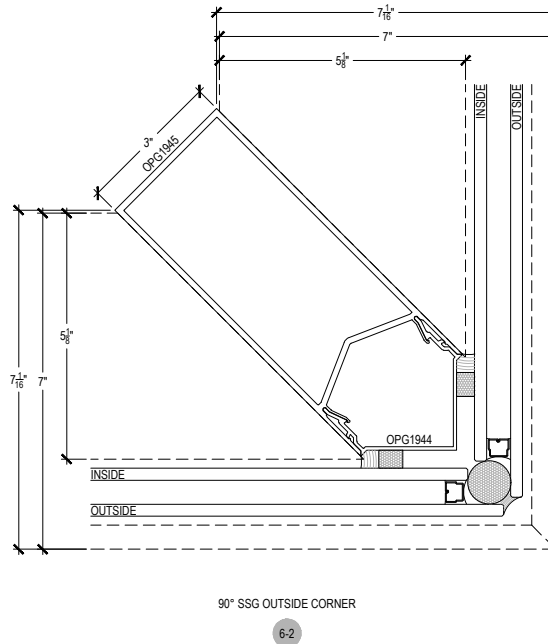
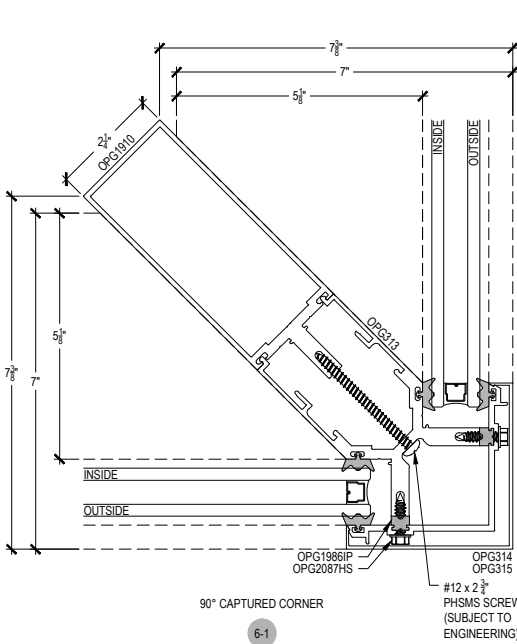
Description: 3" X 7" With 1/4" - 1 1/8" Glass

Function: Curtain Wall

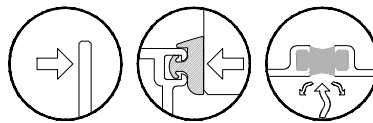
Detail: Corners

Scale: 3" = 1'-0"

SHEET 3 OF 4



NOTE:  
SEE PARTS ID SHEETS FOR "F"  
& "T" ANCHOR PARTS  
NUMBERS TO EACH VERTICAL



Offset Glazed    Side Load    Thermal  
Optional Projected Cover Cap Available

# T500 (OPG3007) Series

Description: 3" X 7" With 1/4" - 1 1/8" Glass

Function: Curtain Wall

Detail: Doors

Scale: 3" = 1'-0"

SHEET 4 OF 4

