

Thermal

MS362HDT Series

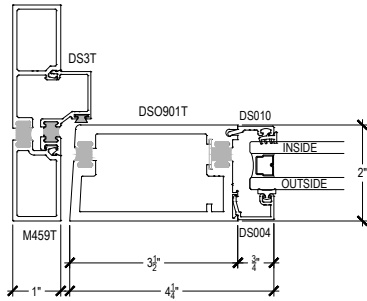
Description: 2" Thermal Medium Stile Heavy Duty Offset Door

Function: Entrance

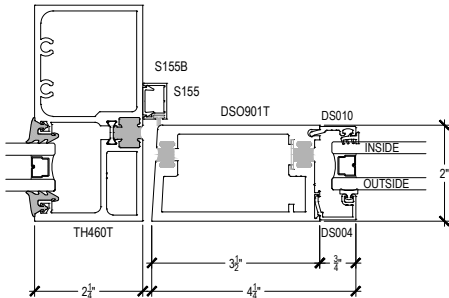
Detail: Typical Details

Scale: 3" = 1'-0"

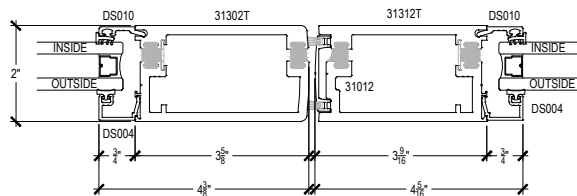
SHEET 1 OF 1



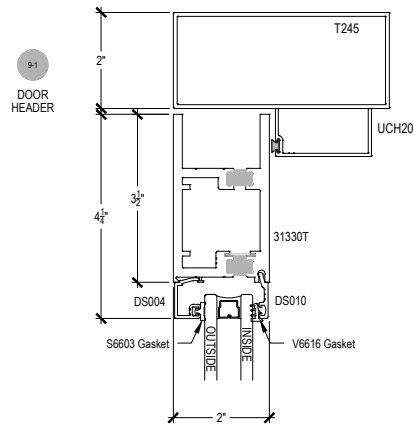
7-1
DOOR
JAMB



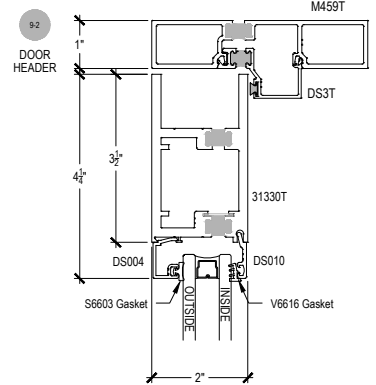
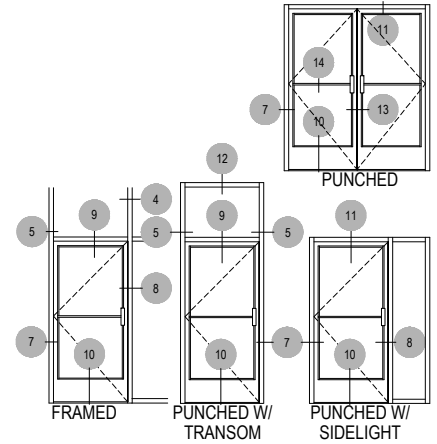
7-2
DOOR
JAMB



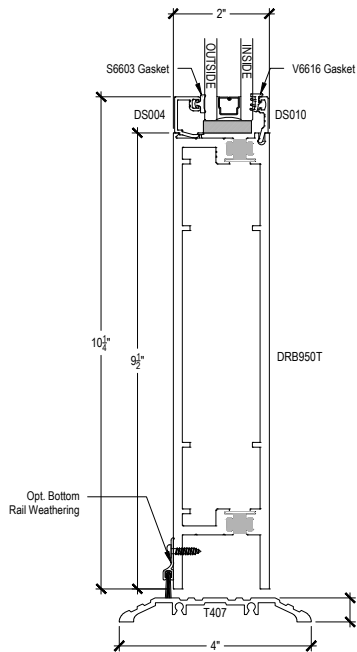
13-1
MEETING
STILE



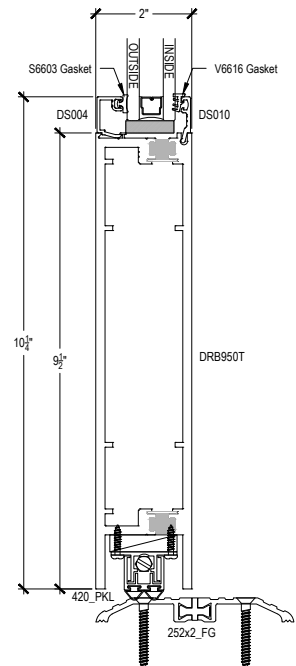
9-1
DOOR
HEADER



9-2
DOOR
HEADER



10-1
BOTTOM
RAIL



10-2
BOTTOM
RAIL