

Thermal

WS512HDT Series

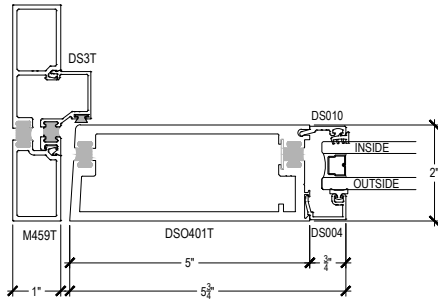
Description: 2" Thermal Wide Stile Heavy Duty Offset Door

Function: Entrance

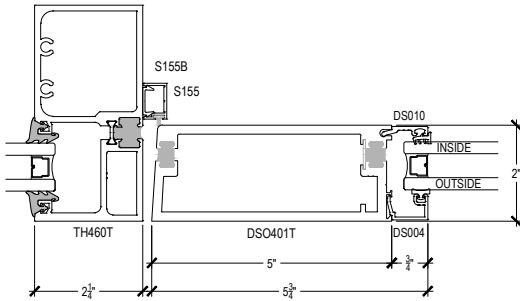
Detail: Typical Details

Scale: 3" = 1'-0"

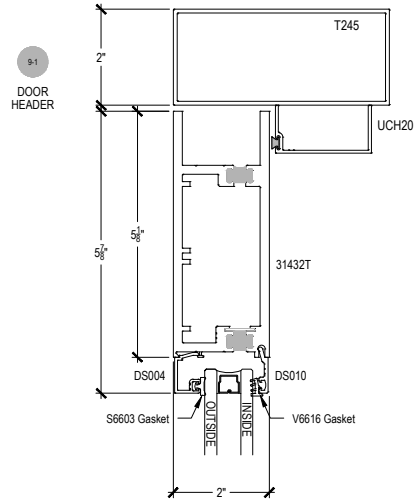
SHEET 1 OF 1



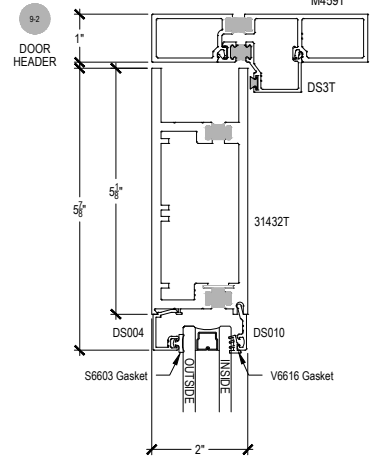
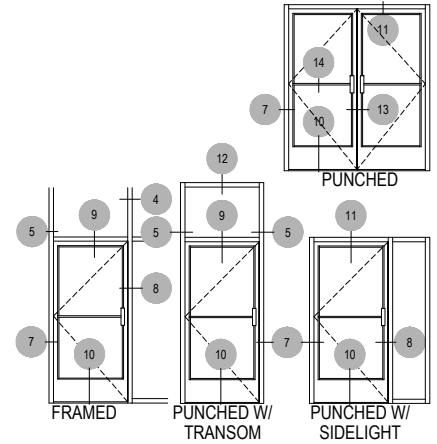
7-1
DOOR
JAMB



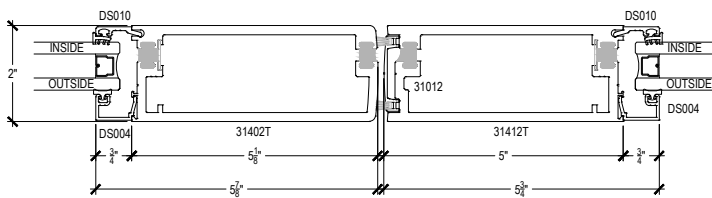
7-2
DOOR
JAMB



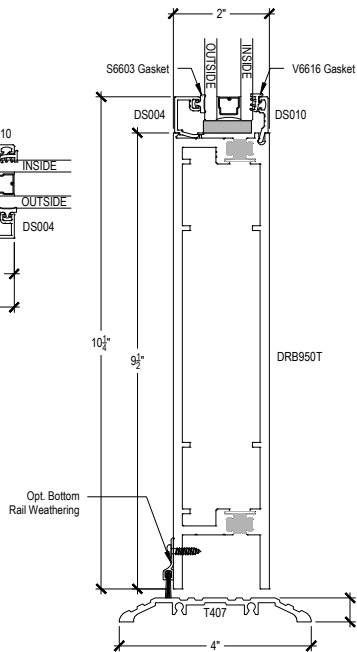
8-1
DOOR
HEADER



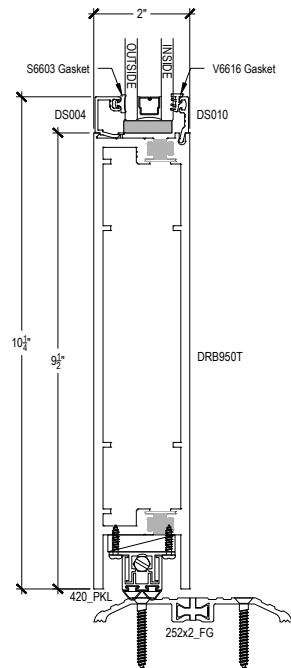
9-2
DOOR
HEADER



13-1
MEETING
STILE



19-1
BOTTOM
RAIL



19-2
BOTTOM
RAIL