

Offset Glazed Side Load Thermal

Optional Projected Cover Caps Available

T500 (OPG1900) Series

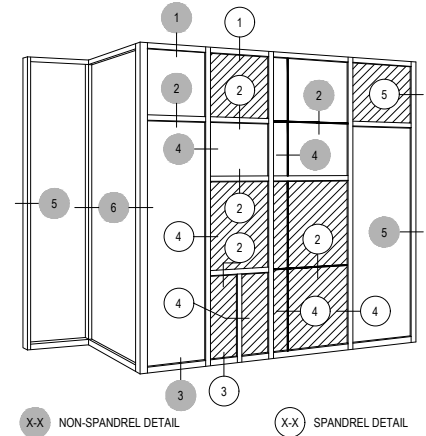
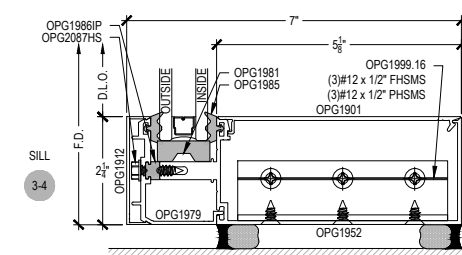
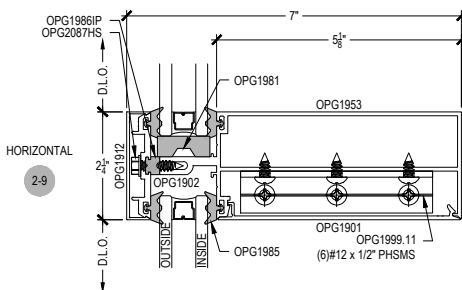
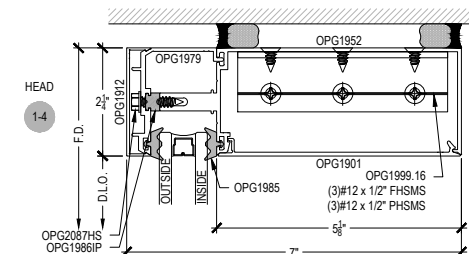
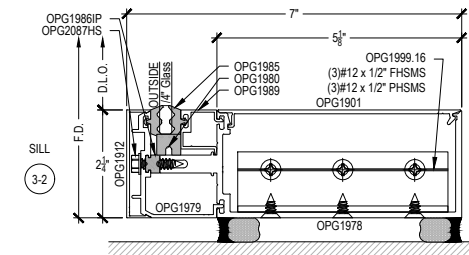
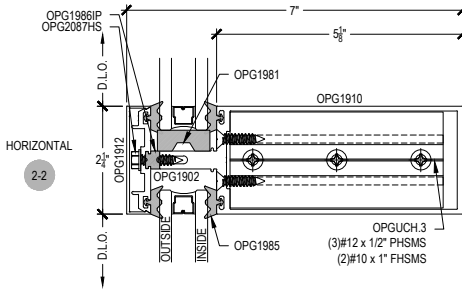
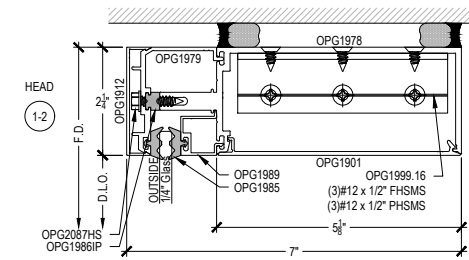
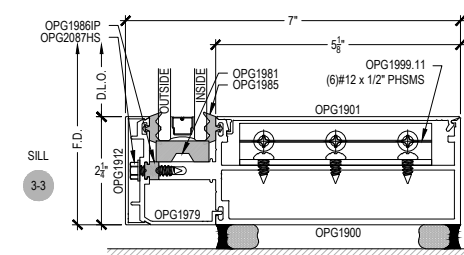
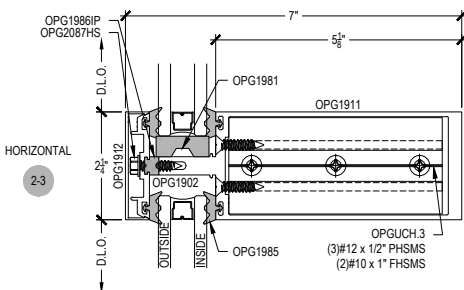
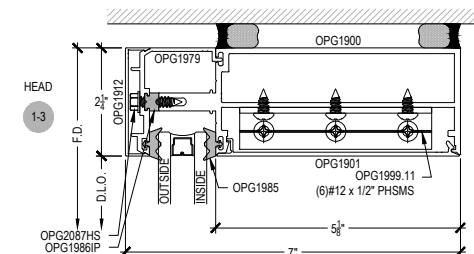
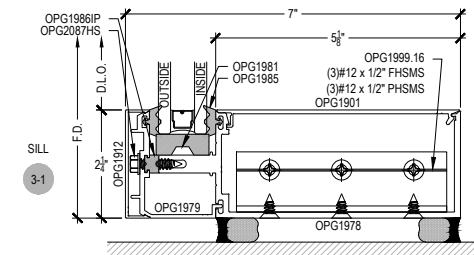
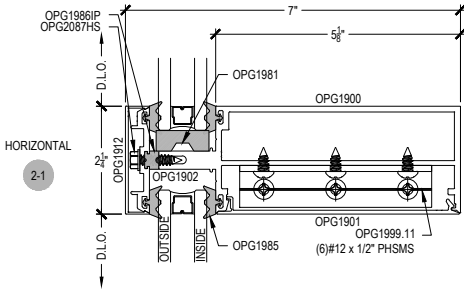
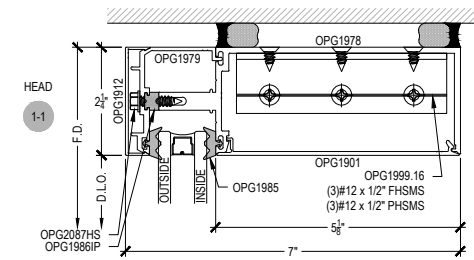
Description: 2 1/4" x 7" Glazed for 1/4" - 1 1/8" Glass

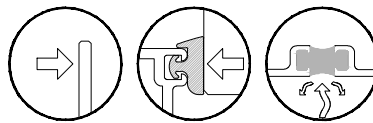
Function: Curtain Wall

Detail: Heads, Horizontals, Sills

Scale: 3" = 1'-0"

SHEET 1 OF 14





Offset Glazed Side Load Thermal

Optional Projected Cover Caps Available

T500 (OPG1900) Series

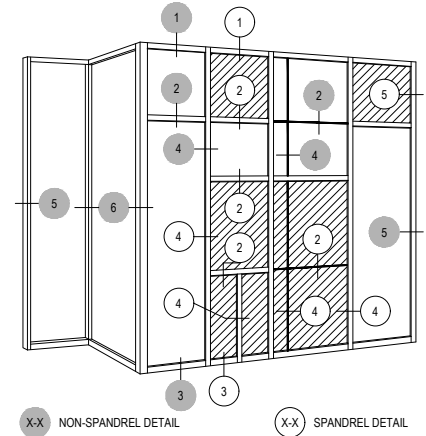
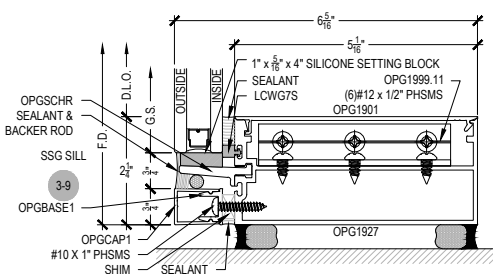
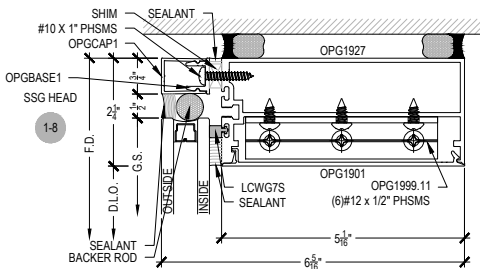
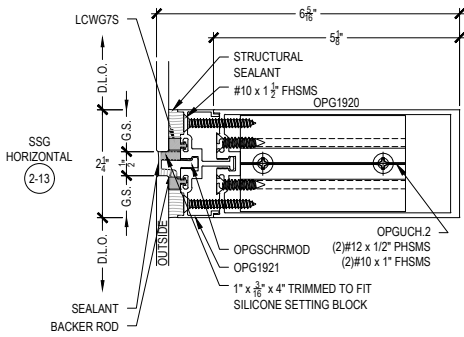
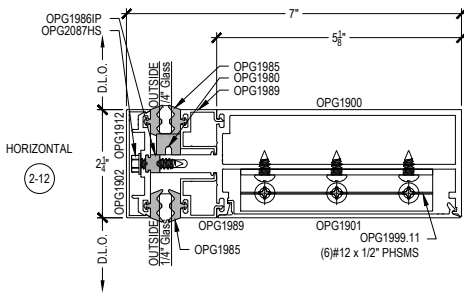
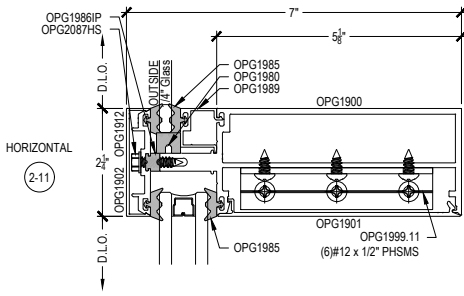
Description: 2 1/4" x 7" Glazed for 1/4" - 1 1/8" Glass

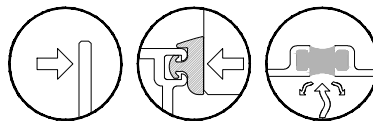
Function: Curtain Wall

Detail: Heads, Horizontals, Sills

Scale: 3" = 1'-0"

SHEET 3 OF 14





Offset Glazed Side Load Thermal

Optional Projected Cover Caps Available

T500 (OPG1900) Series

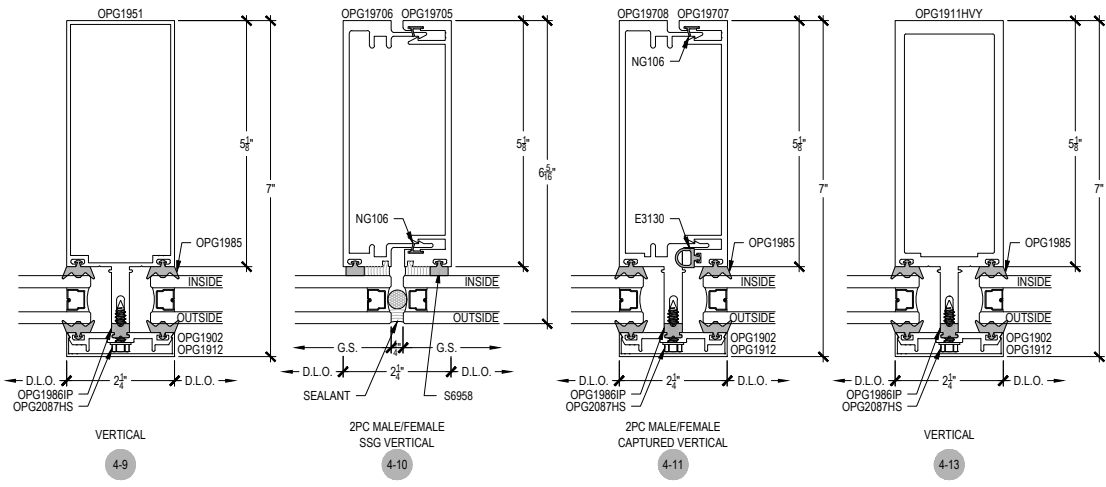
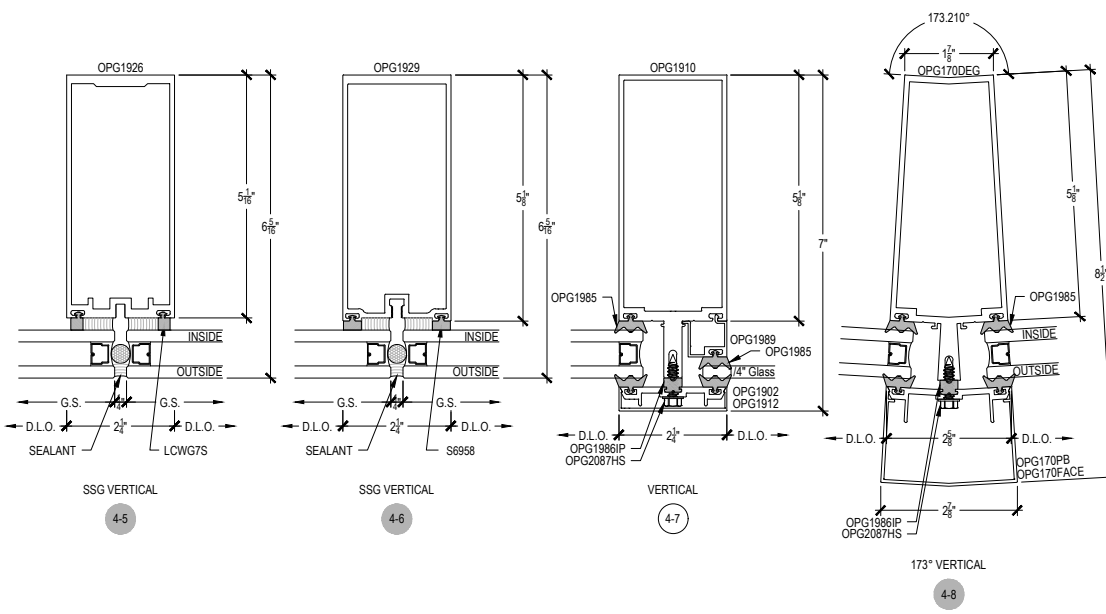
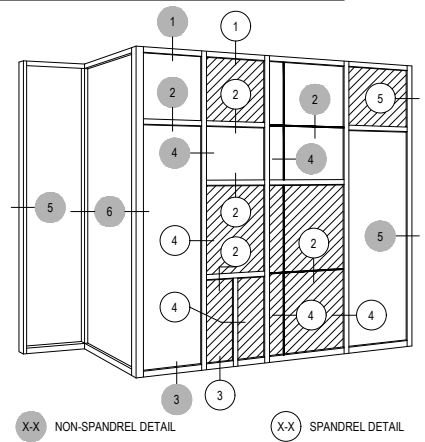
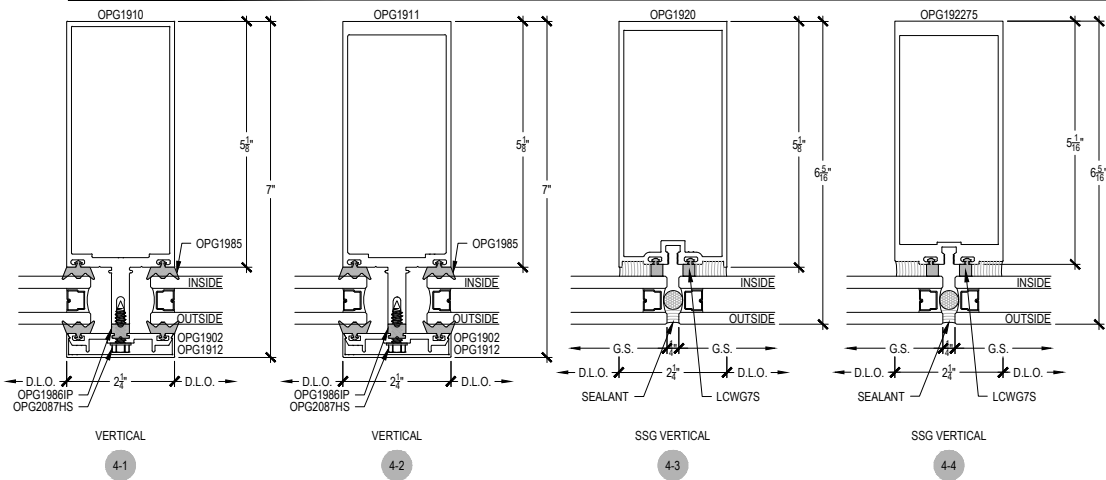
Description: 2 1/4" x 7" Glazed for 1/4" - 1 1/8" Glass

Function: Curtain Wall

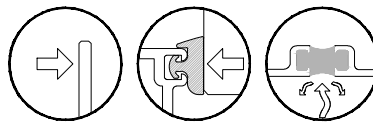
Detail: Verticals

Scale: 3" = 1'-0"

SHEET 4 OF 14



NOTE:
SEE PARTS ID SHEETS FOR "F"
& "T" ANCHOR PARTS
NUMBERS TO EACH VERTICAL



Offset Glazed Side Load Thermal

Optional Projected Cover Caps Available

T500 (OPG1900) Series

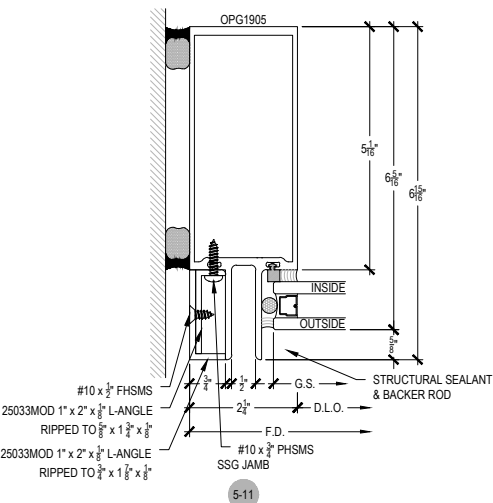
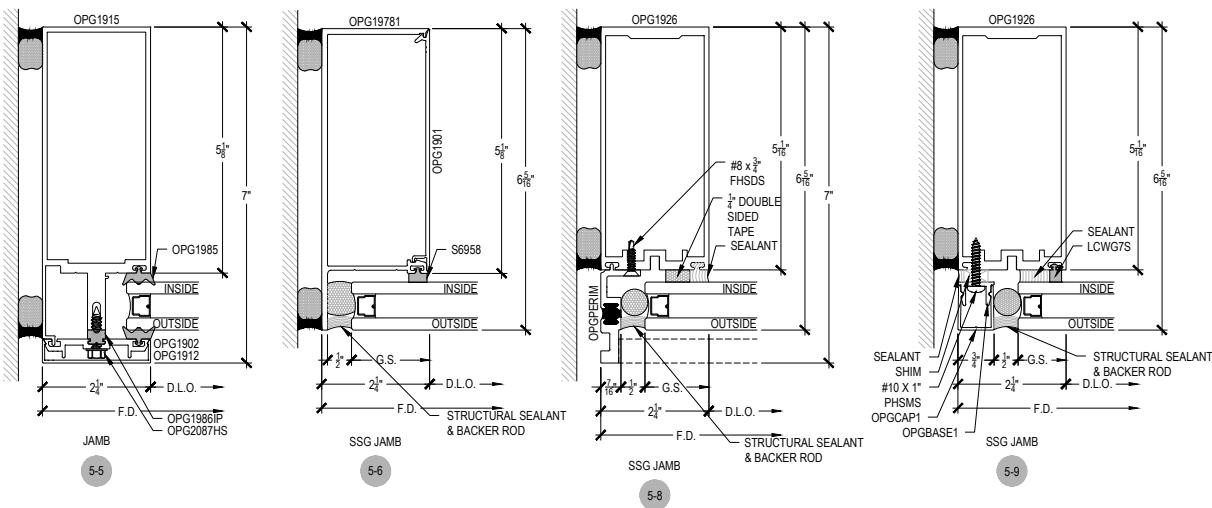
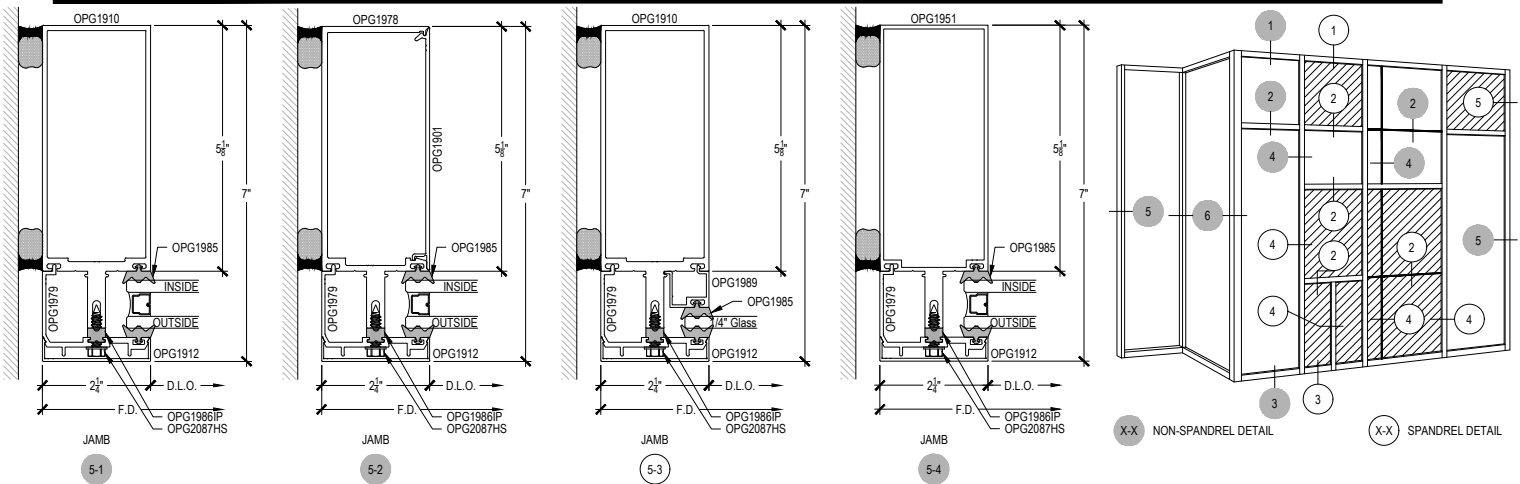
Description: 2 1/4" x 7" Glazed for 1/4" - 1 1/8" Glass

Function: Curtain Wall

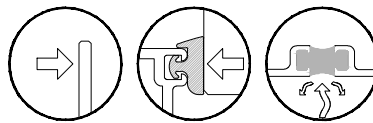
Detail: Jamb

Scale: 3" = 1'-0"

SHEET 6 OF 14



NOTE:
SEE PARTS ID SHEETS FOR "F"
& "T" ANCHOR PARTS
NUMBERS TO EACH VERTICAL



Offset Glazed Side Load Thermal

Optional Projected Cover Caps Available

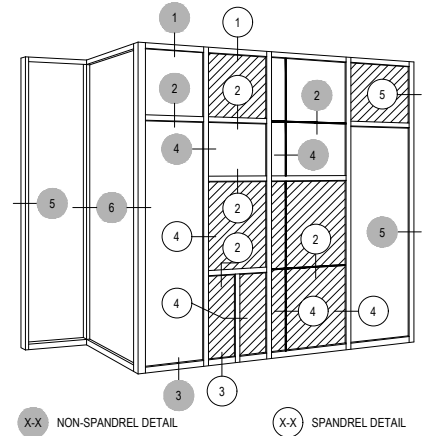
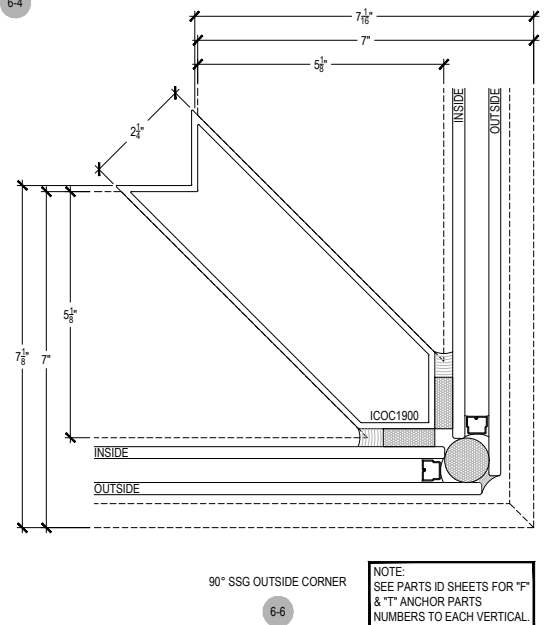
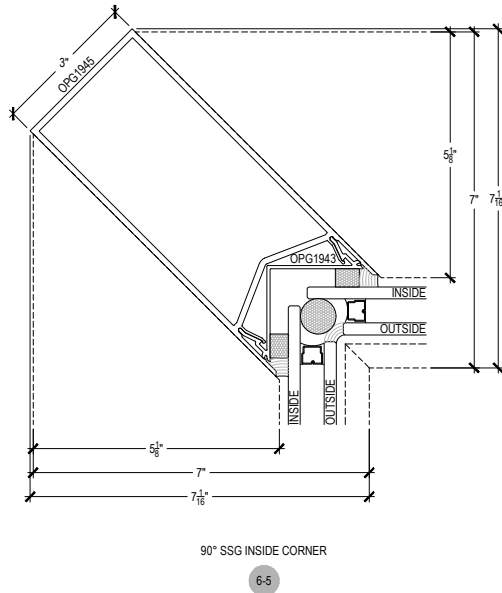
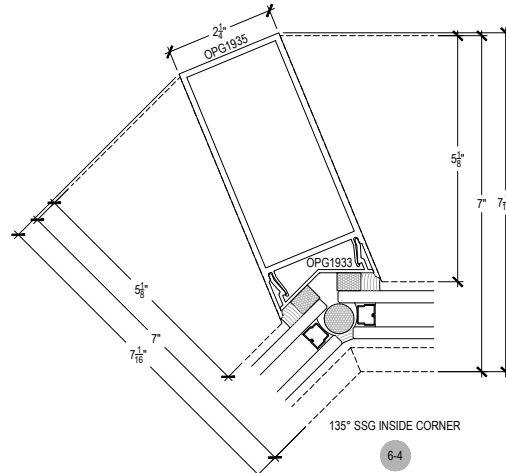
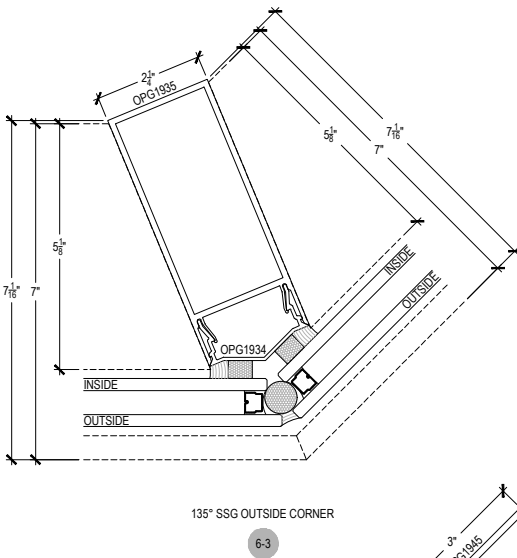
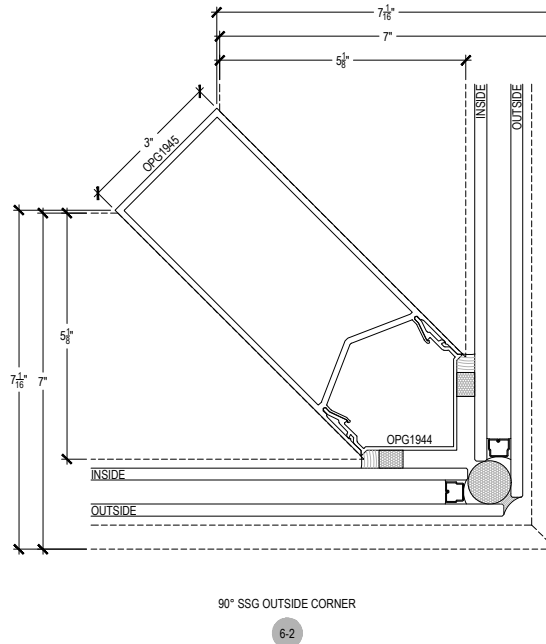
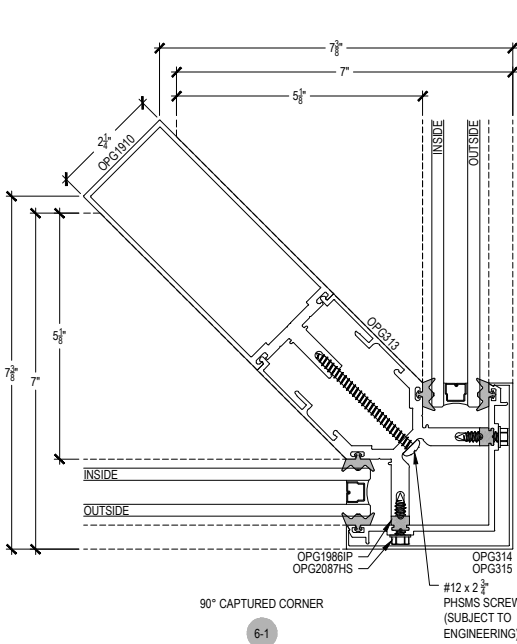
T500 (OPG1900) Series

Description: 2 1/4" x 7" Glazed for 1/4" - 1 1/8" Glass

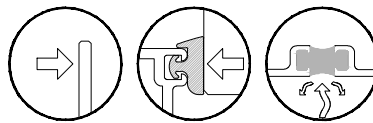
Function: Curtain Wall

Detail: Corners

Scale: 3" = 1'-0"



NOTE:
SEE PARTS ID SHEETS FOR "F"
& "T" ANCHOR PARTS
NUMBERS TO EACH VERTICAL



Offset Glazed Side Load Thermal

Optional Projected Cover Caps Available

T500 (OPG1900) Series

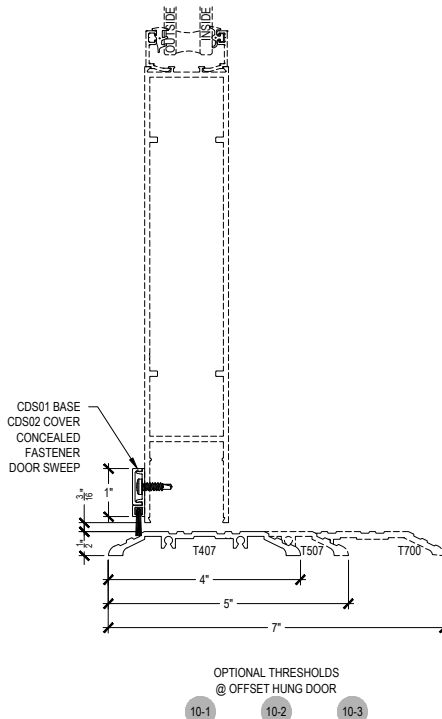
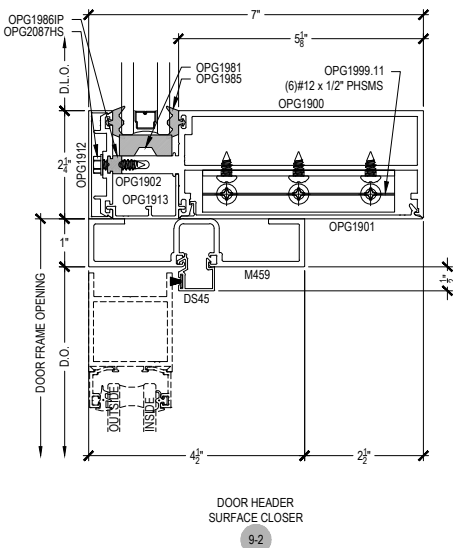
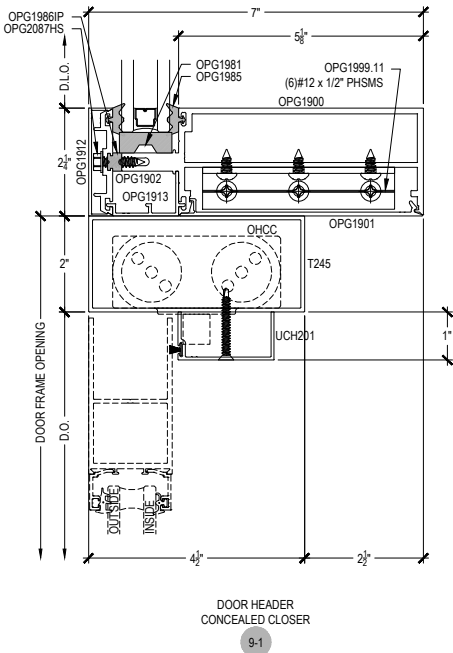
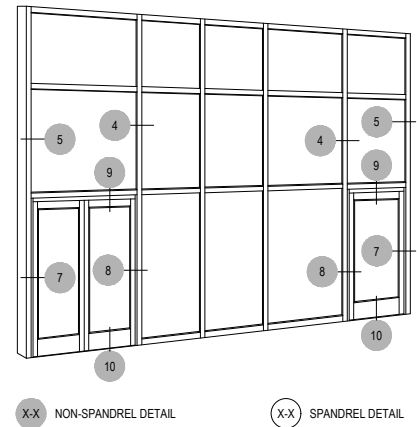
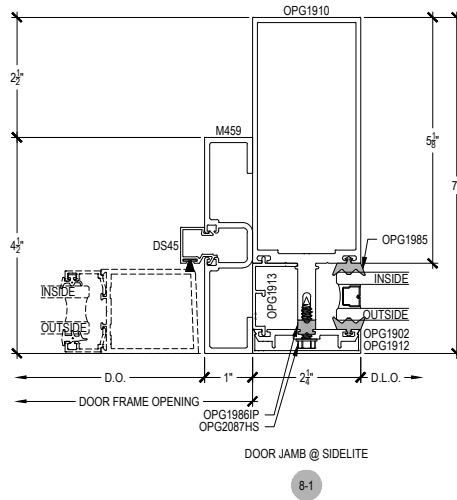
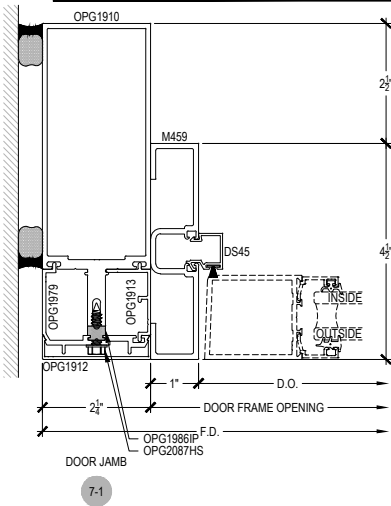
Description: 2 1/4" x 7" Glazed for 1/4" - 1 1/8" Glass

Function: Curtain Wall

Detail: Offset Hung Doors

Scale: 3" = 1'-0"

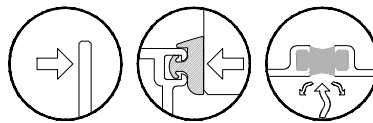
SHEET 11 OF 14



NOTE:
TYPICAL VERTICALS &
HORIZONTALS SHOWN IN
DOOR DETAILS. OPTIONAL
TO CHANGE OUT FOR
PROJECT SPECIFIC NEEDS.

NOTE:
SEE PARTS ID SHEETS FOR "F"
& "T" ANCHOR PARTS
NUMBERS TO EACH VERTICAL.

NOTE:
FOR ALL DOOR OPTIONS SEE
THE ENTRANCE SECTION OF
ARCADIA, INC. WEBSITE.



Offset Glazed Side Load Thermal

Optional Projected Cover Caps Available

T500 (OPG1900) Series

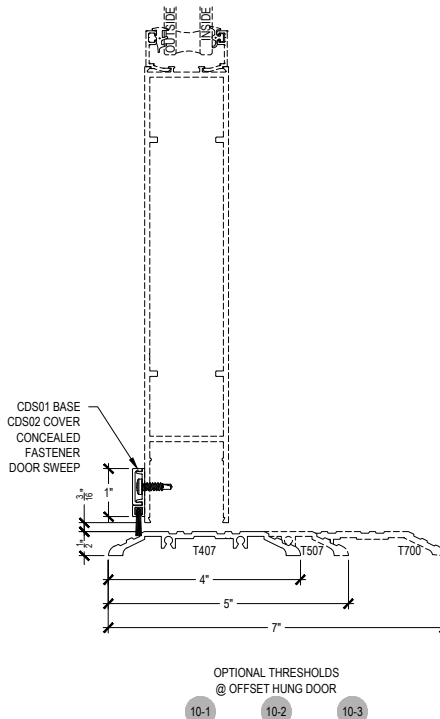
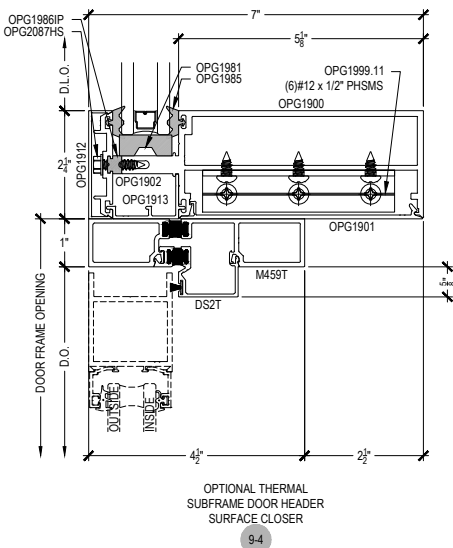
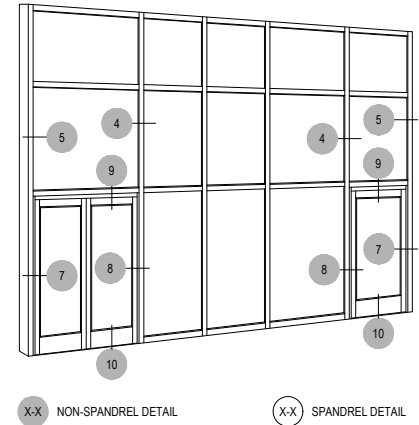
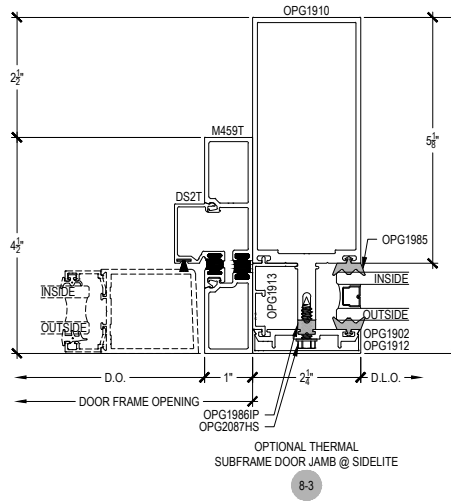
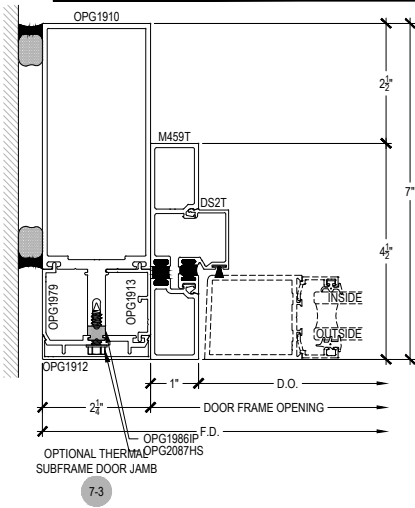
Description: 2 1/4" x 7" Glazed for 1/4" - 1 1/8" Glass

Function: Curtain Wall

Detail: Offset Hung Doors & Options

Scale: 3" = 1'-0"

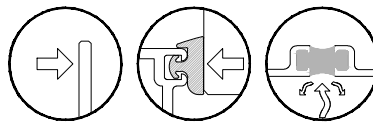
SHEET 12 OF 14



NOTE:
TYPICAL VERTICALS &
HORIZONTALS SHOWN IN
DOOR DETAILS. OPTIONAL
TO CHANGE OUT FOR
PROJECT SPECIFIC NEEDS.

NOTE:
SEE PARTS ID SHEETS FOR "F"
& "T" ANCHOR PARTS
NUMBERS TO EACH VERTICAL.

NOTE:
FOR ALL DOOR OPTIONS SEE
THE ENTRANCE SECTION OF
ARCADIA, INC. WEBSITE.



Offset Glazed Side Load Thermal

Optional Projected Cover Caps Available

T500 (OPG1900) Series

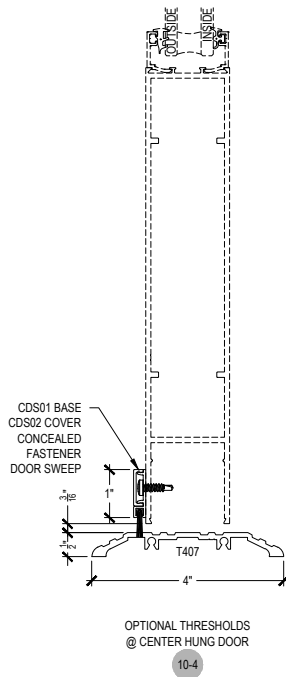
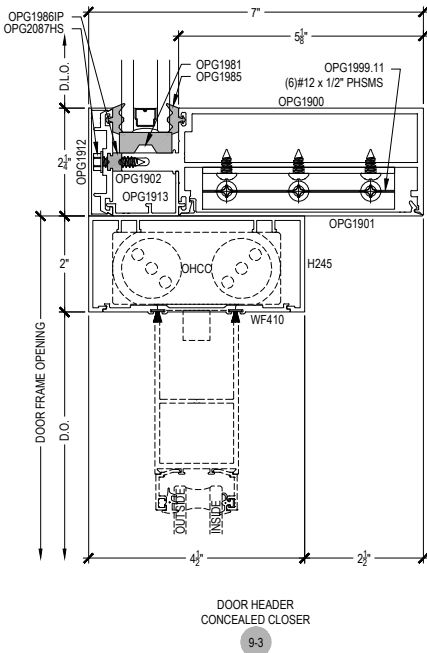
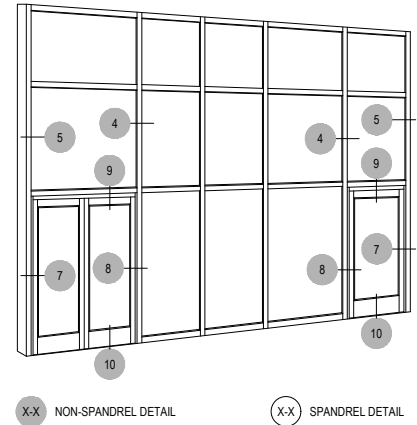
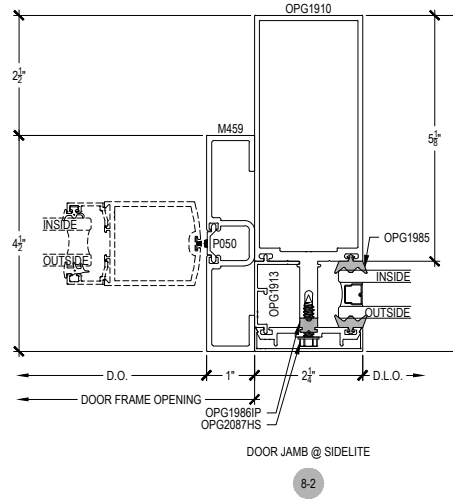
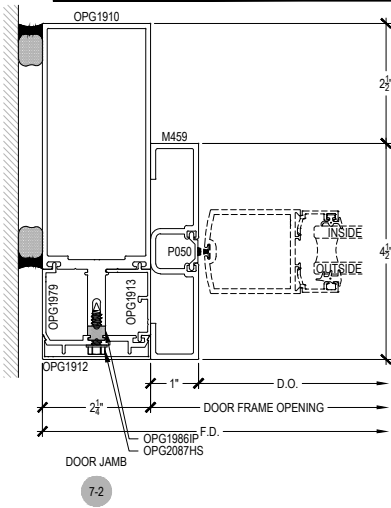
Description: 2 1/4" x 7" Glazed for 1/4" - 1 1/8" Glass

Function: Curtain Wall

Detail: Center Hung Doors

Scale: 3" = 1'-0"

SHEET 13 OF 14



NOTE:
TYPICAL VERTICALS &
HORIZONTALS SHOWN IN
DOOR DETAILS. OPTIONAL
TO CHANGE OUT FOR
PROJECT SPECIFIC NEEDS.

NOTE:
SEE PARTS ID SHEETS FOR "F"
& "T" ANCHOR PARTS
NUMBERS TO EACH VERTICAL.

NOTE:
FOR ALL DOOR OPTIONS SEE
THE ENTRANCE SECTION OF
ARCADIA, INC. WEBSITE.

