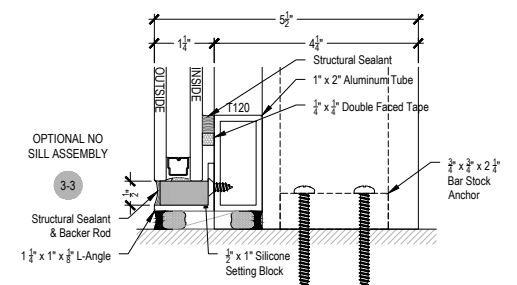
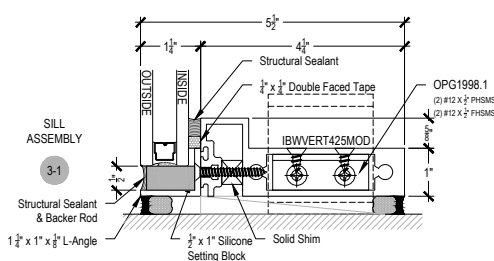
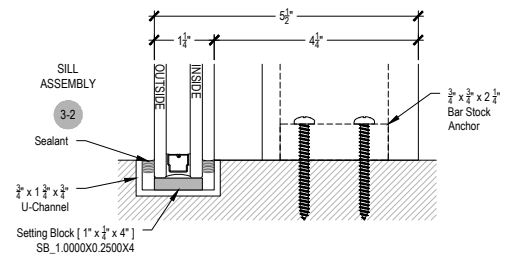
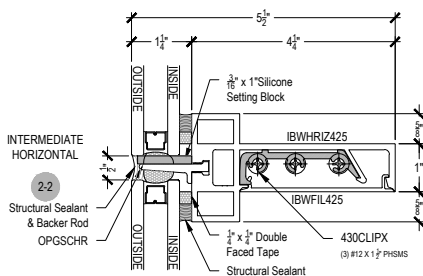
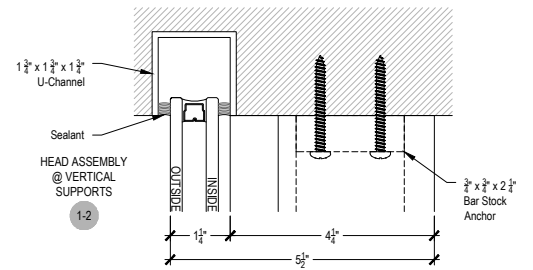
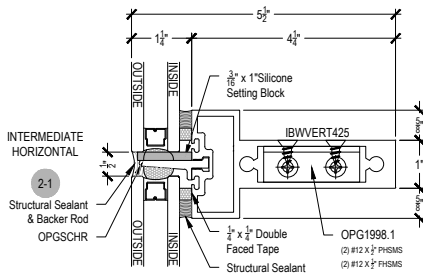
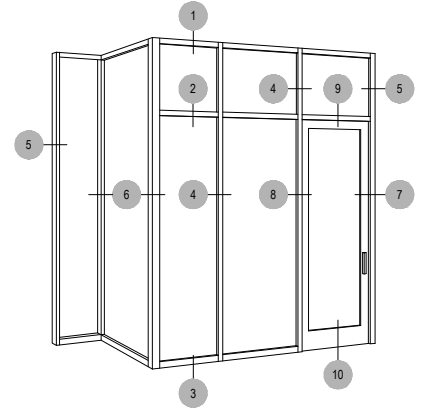
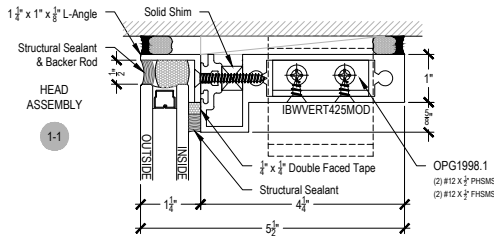




T500-Ti Beam 1 Series 5 1/2"

Description: 2 1/4" x 5 1/2" Glazed for 1" Glass
 Function: Curtain Wall Structural Silicone Glazed (SSG)
 Detail: Horizontals
 Scale: 3" = 1'-0"

SHEET 1 OF 5

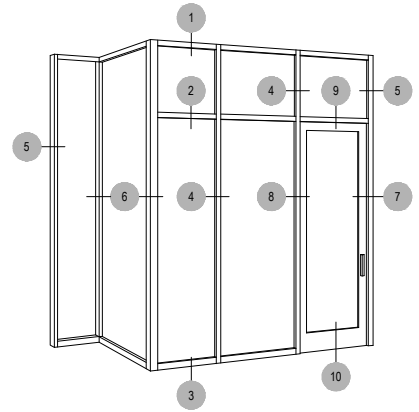
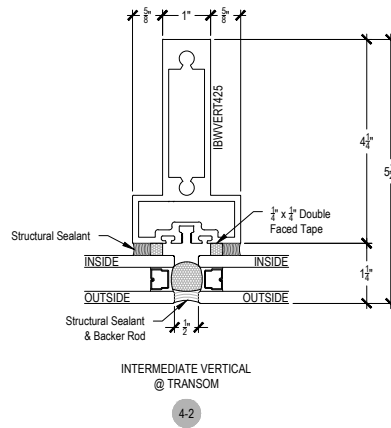
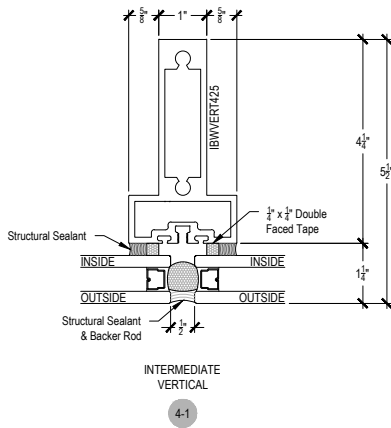




T500-Ti Beam 1 Series 5 1/2"

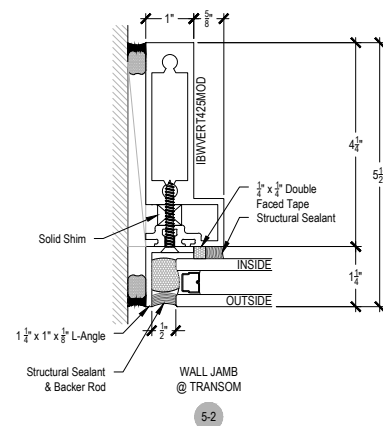
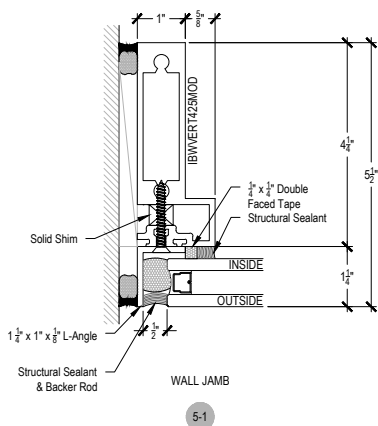
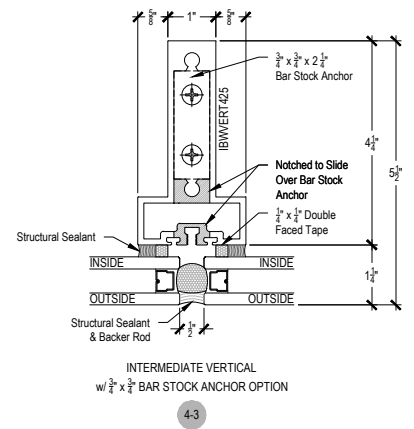
Description: 2 1/4" x 5 1/2" Glazed for 1" Glass
 Function: Curtain Wall Structural Silicone Glazed (SSG)
 Detail: Verticals
 Scale: 3" = 1'-0"

SHEET 2 OF 5



NOTE:
 WHEN NO SILL AND HEAD PROFILE IS USED IN THE ELEVATION THE VERTICAL MEMBERS WILL ANCHOR USING A 3/8" x 3/8" ALUMINUM BAR STOCK.
 WHEN HEAD AND SILL PROFILES ARE USED IN THE ELEVATION THE VERTICAL MEMBERS WILL ANCHOR AT TOP AND BOTTOM USING OPG1551MOD "T" or OPG1552MOD "F" ANCHOR AT THE HEAD AND SILL.

NOTE:
 BAR STOCK, "F" & "T" ANCHORING TBD ON A PER JOB BASIS, ONLY SHOWING FASTENERS FOR EXAMPLE ONLY.

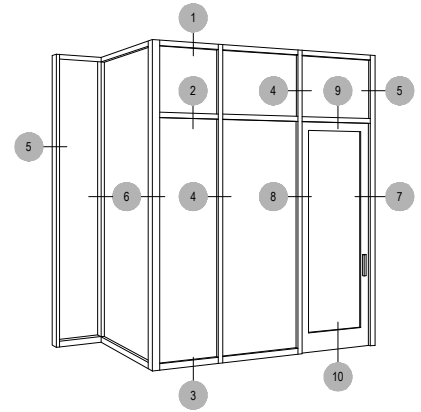
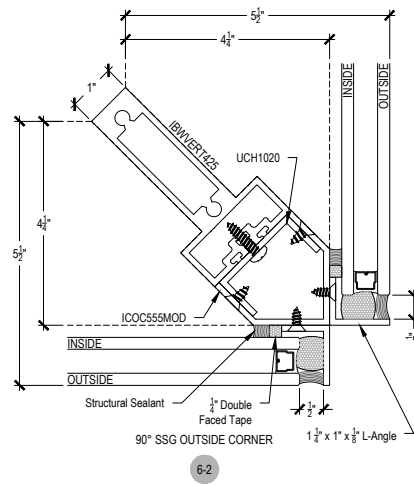
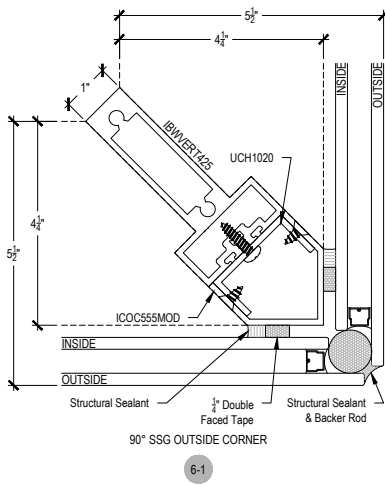




T500-Ti Beam 1 Series 5 1/2"

Description: 2 1/4" x 5 1/2" Glazed for 1" Glass
 Function: Curtain Wall Structural Silicone Glazed (SSG)
 Detail: Corners
 Scale: 3" = 1'-0"

SHEET 3 OF 5

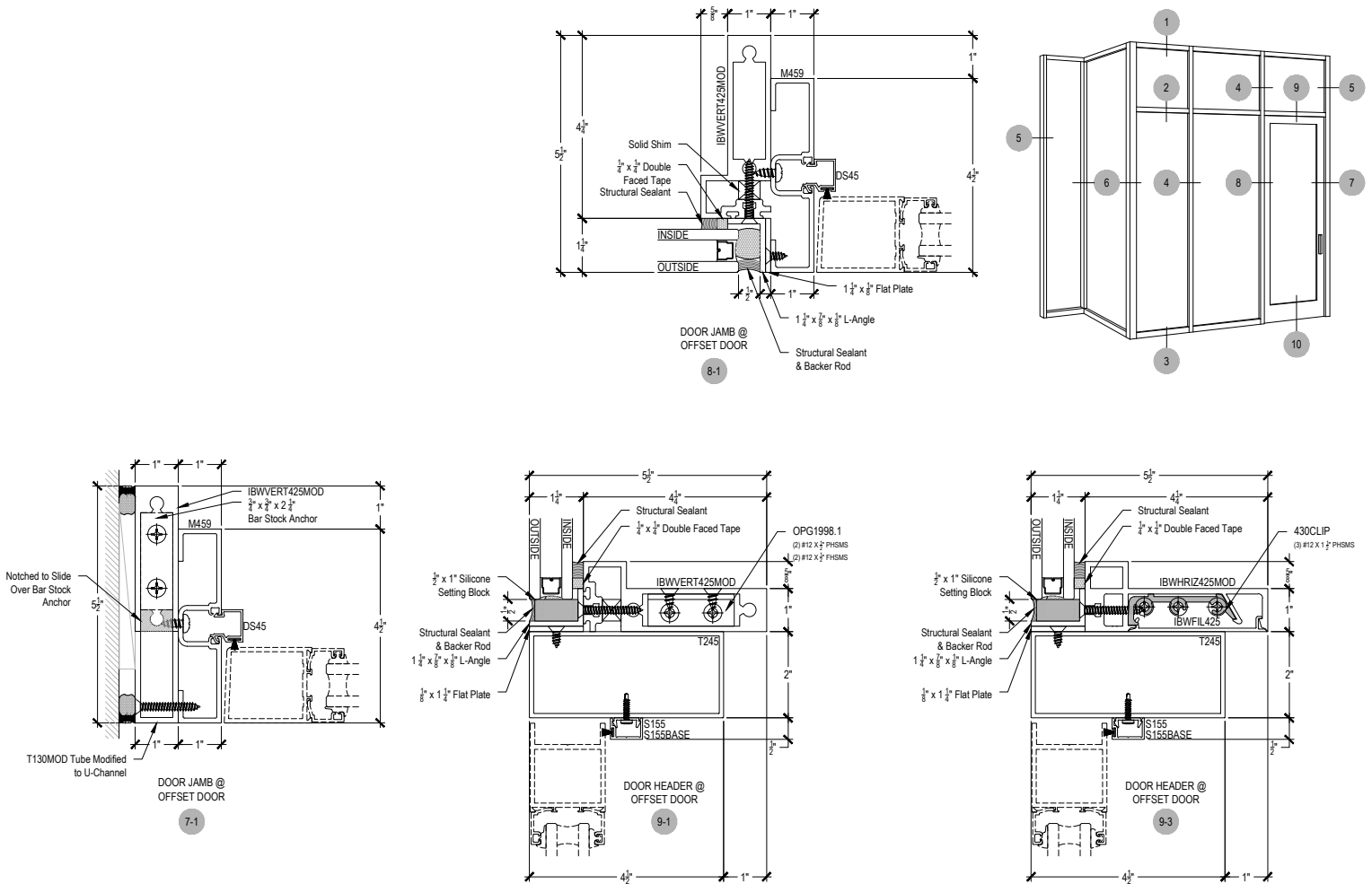


NOTE:
 WHEN NO SILL AND HEAD PROFILE IS USED IN THE ELEVATION THE VERTICAL MEMBERS WILL ANCHOR USING A 3/8" x 3/8" ALUMINUM BAR STOCK.
 WHEN HEAD AND SILL PROFILES ARE USED IN THE ELEVATION THE VERTICAL MEMBERS WILL ANCHOR AT TOP AND BOTTOM USING OPG1551MOD "T" or OPG1552MOD "F" ANCHOR AT THE HEAD AND SILL.

NOTE:
 BAR STOCK, "F" & "T" ANCHORING TBD ON A PER JOB BASIS, ONLY SHOWING FASTENERS FOR EXAMPLE ONLY.

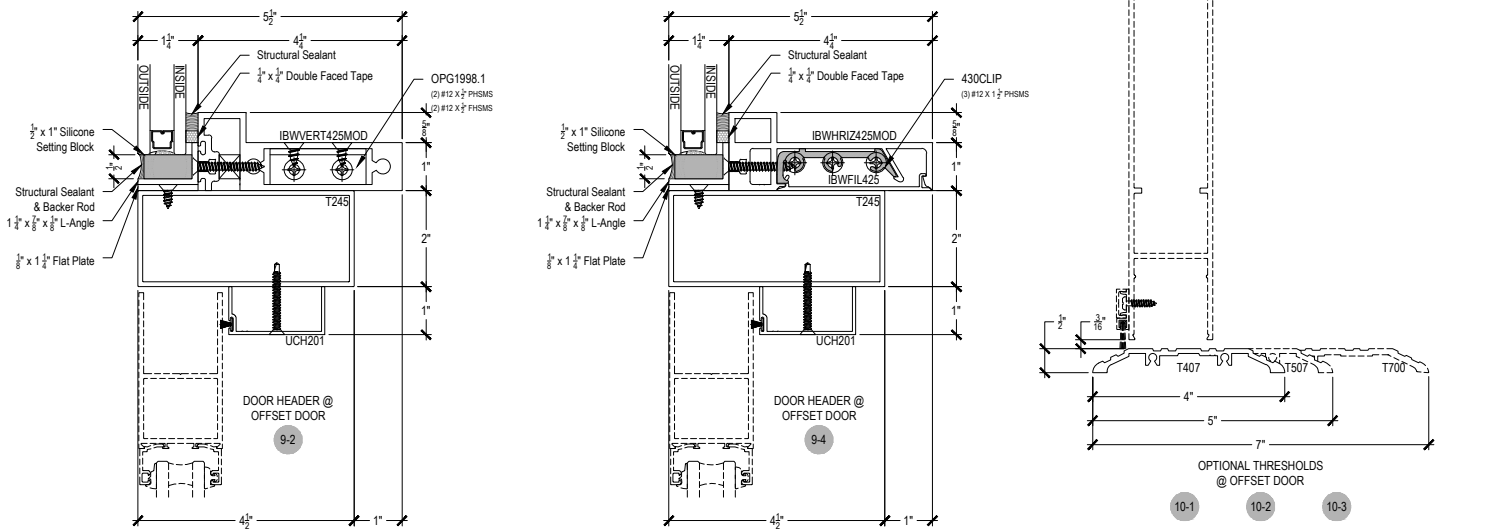
T500-Ti Beam 1 Series 5 1/2"

Description: 2 1/4" x 5 1/2" Glazed for 1" Glass
 Function: Curtain Wall Structural Silicone Glazed (SSG)
 Detail: Doors
 Scale: 3" = 1'-0"



NOTE:
 WHEN NO SILL AND HEAD PROFILE IS USED IN THE ELEVATION THE VERTICAL MEMBERS WILL ANCHOR USING A 1/2" x 1/2" ALUMINUM BAR STOCK. WHEN HEAD AND SILL PROFILES ARE USED IN THE ELEVATION THE VERTICAL MEMBERS WILL ANCHOR AT TOP AND BOTTOM USING OPG1551MOD "T" OR OPG1552MOD "F" ANCHOR AT THE HEAD AND SILL.

NOTE:
 BAR STOCK, "F" & "T" ANCHORING TBD ON A PER JOB BASIS, ONLY SHOWING FASTENERS FOR EXAMPLE ONLY.





T500-Ti Beam 1 Series 5 1/2"

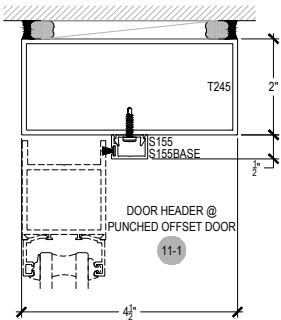
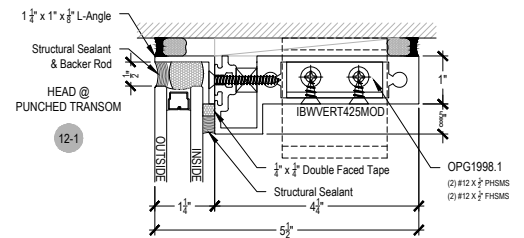
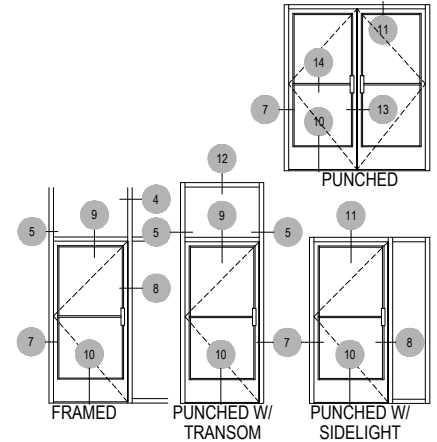
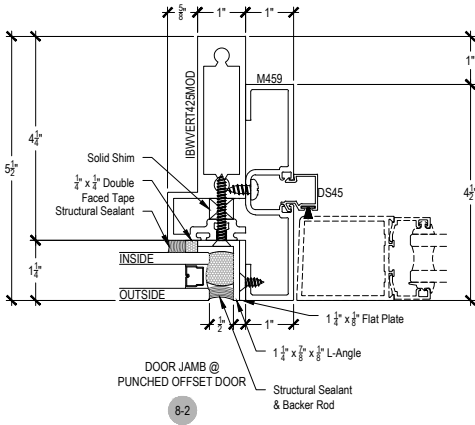
Description: 2 1/4" x 5 1/2" Glazed for 1" Glass

Function: Curtain Wall Structural Silicone Glazed (SSG)

Detail: Doors

Scale: 3" = 1'-0"

SHEET 5 OF 5



NOTE:
 WHEN NO SILL AND HEAD PROFILE IS USED IN THE ELEVATION THE VERTICAL MEMBERS WILL ANCHOR USING A $\frac{3}{8}$ " x $\frac{3}{8}$ " ALUMINUM BAR STOCK.
 WHEN HEAD AND SILL PROFILES ARE USED IN THE ELEVATION THE VERTICAL MEMBERS WILL ANCHOR AT TOP AND BOTTOM USING OPG1551MOD "T" or OPG1552MOD "F" ANCHOR AT THE HEAD AND SILL.

NOTE:
 BAR STOCK, "F" & "T" ANCHORING TBD ON A PER JOB BASIS, ONLY SHOWING FASTENERS FOR EXAMPLE ONLY.

