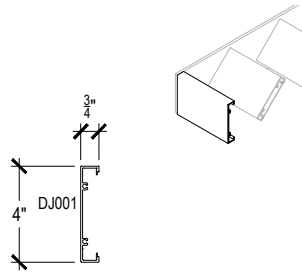
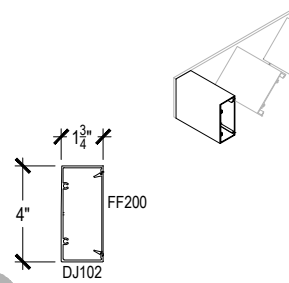


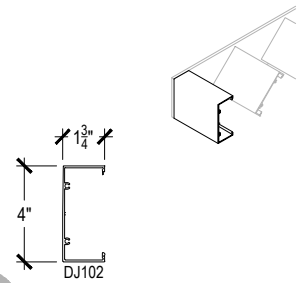
1-1 Closed Shallow 4" Rectangular



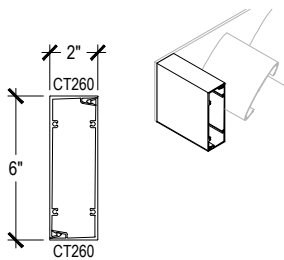
1-2 Open Shallow 4" Rectangular



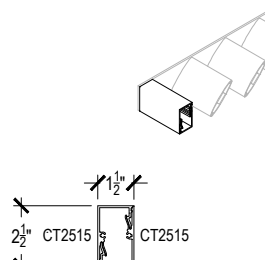
1-3 Closed Deep 4" Rectangular



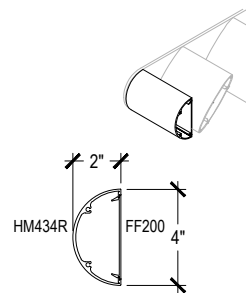
1-4 Open Deep 4" Rectangular



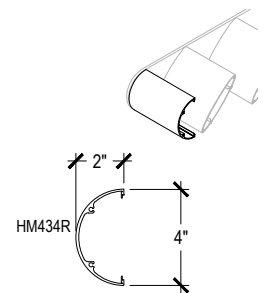
1-5 Closed 6" Rectangular



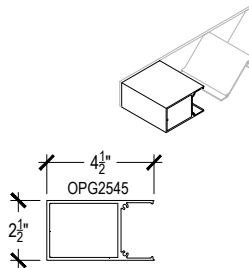
1-6 Closed 2 1/2" Square



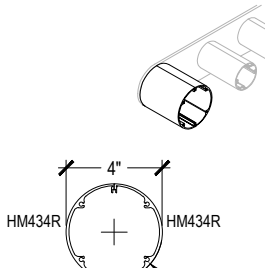
1-7 Closed 4" Bullnose



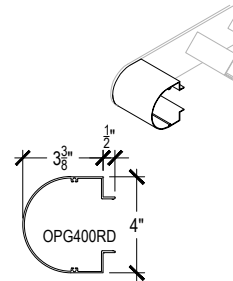
1-8 Open 4" Bullnose



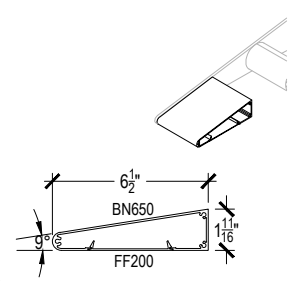
1-9 Closed 2 1/2" Rectangular



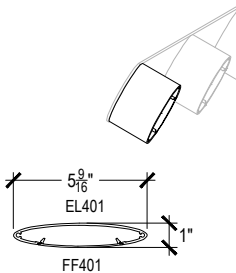
1-10 Closed 4" Circular



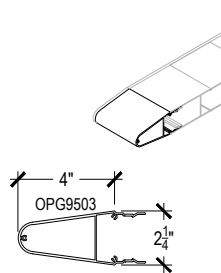
1-11 Bullnose Tapered



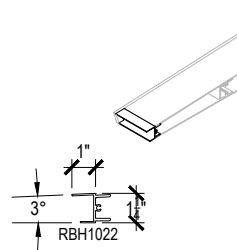
1-12 Closed Shallow Angular



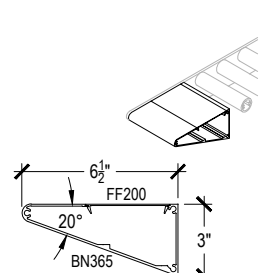
1-13 Closed Airfoil



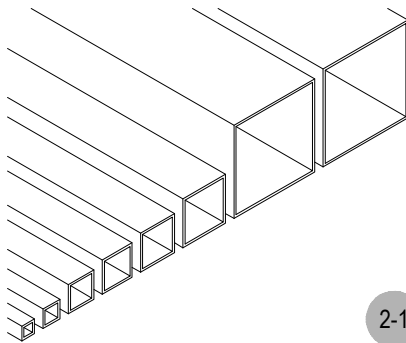
1-14 Solid Bullnose



1-15 Solid Blade Edge



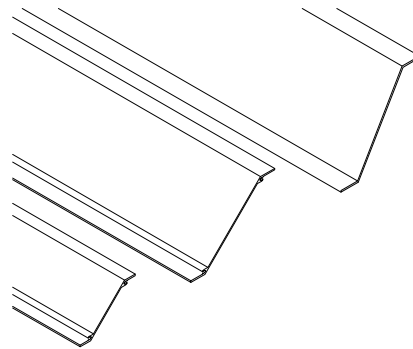
1-16 Closed Deep Angular



SQUARE TUBE	
PART #	SIZE *
T075	3/4" x 3/4"
T100	1" x 1"
T150	1 1/2" x 1 1/2"
T175	1 3/4" x 1 3/4"
T200	2" x 2"
T205	2 1/2" x 2 1/2"
T4040	4" x 4"
T4545	4 1/2" x 4 1/2"

\* Additional Profiles Available

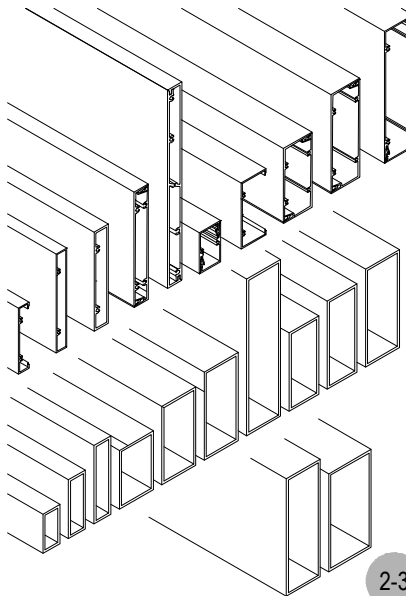
2-1



"Z" PROFILE	
PART #	SIZE *
LV250	2 1/2"
LV400	4"
LV550	5 1/2"

\* Additional Profiles Available

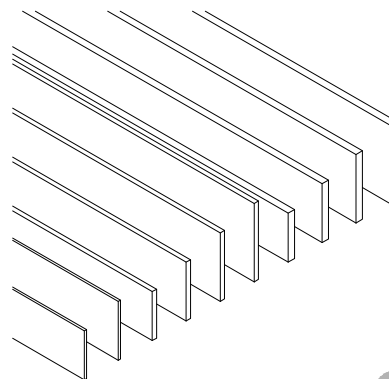
2-2



RECTANGULAR TUBE	
PART #	SIZE *
DJ001	3/4" x 4"
CT7560	3/4" x 6"
CT10060	1" x 6"
CT170 (2 pcs snap)	1" x 7"
CT10120 (2 pcs snap)	1" x 12"
CT2515 (2 pcs snap)	1 1/2" x 2 1/2"
DJ102	1 3/4" x 4"
CT240 (2 pcs snap)	2" x 4"
CT260 (2 pcs snap)	2" x 6"
CT280 (2 pcs snap)	2" x 8"
T120	1" x 2"
T130	1" x 3"
T140	1" x 4"
T230	2" x 3"
T240	2" x 4"
T245	2" x 4 1/2"
T280	2" x 8"
T400	1 3/4" x 4"
T450	1 3/4" x 4 1/2"
T500	2" x 5"
T600	2" x 6"
T2550	2 1/2" x 5 1/2"

\* Additional Profiles Available

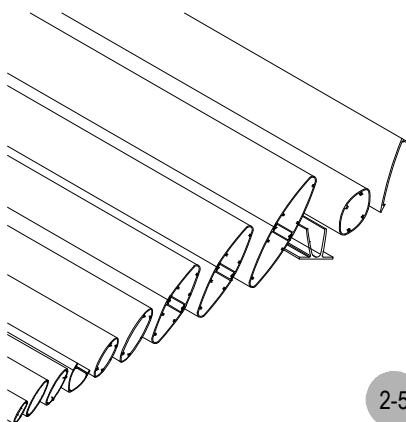
2-3



FLAT BAR	
PART #	SIZE *
4018	3/16" x 4"
6018	3/16" x 6"
4025	1/4" x 4"
6025	1/4" x 6"
8025	1/4" x 8"
12025	1/4" x 12"
4037	3/8" x 4"
6037	3/8" x 6"
8037	3/8" x 8"
12037	3/8" x 12"

\* Additional Profiles Available

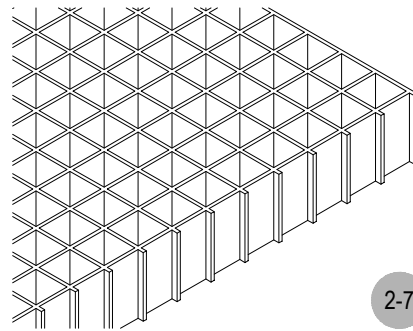
2-4



AIRFOIL	
PART #	SIZE *
EL350	3 1/2"
EL400	5 1/2"
EL401	5 1/2"
EL402	3 7/8"
EL450	6"
EL601	8 1/4"
EL703	7"
EL1025	10"
EL1200	12"
EL1400	14"
EL1700	17"

\* Additional Profiles Available

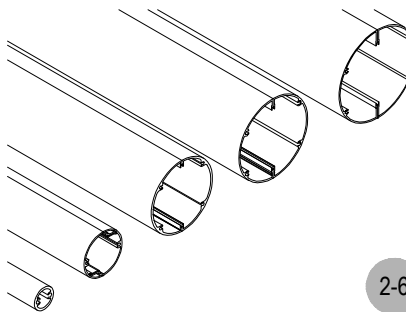
2-5



GRATING BLADE	
PART #	SIZE *
CUSTOM	CUSTOM

\* Additional Patterns Available

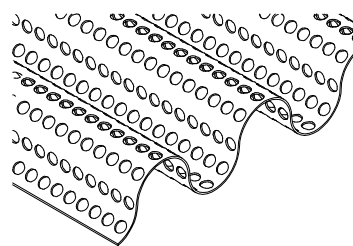
2-7



CIRCULAR	
PART #	SIZE *
CR125	1 1/4"
CR250	2 1/2"
HM434R	4"
HM4534R	4 1/2"
HM534R	5"

\* Additional Profiles Available

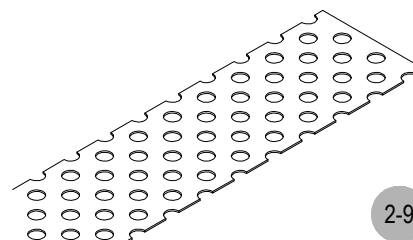
2-6



CORRUGATED BLADE	
PART #	SIZE *
CUSTOM	CUSTOM

\* Additional Patterns Available

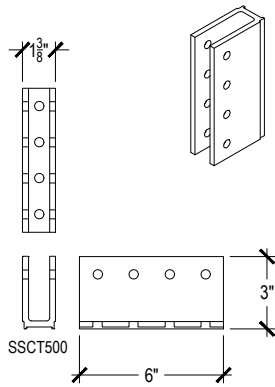
2-8



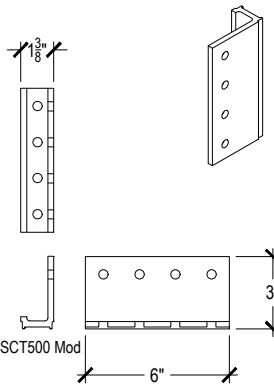
PERFORATED PANEL	
PART #	SIZE *
CUSTOM	CUSTOM

\* Additional Patterns Available

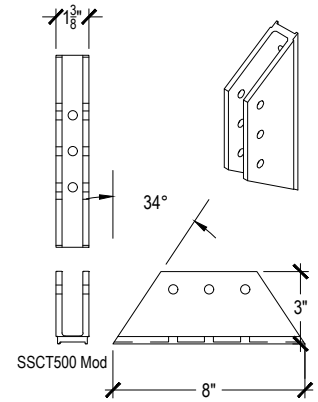
2-9



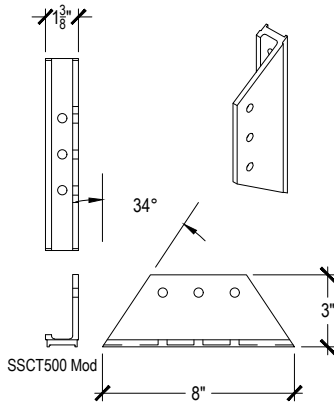
3-1 Square Bracket



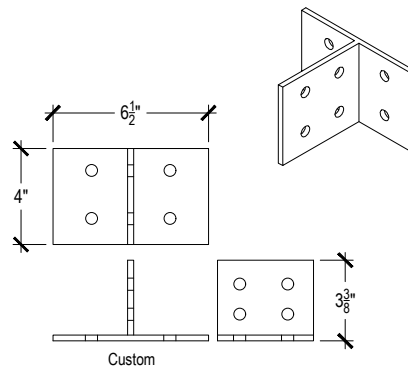
3-2 Square Bracket Jamb



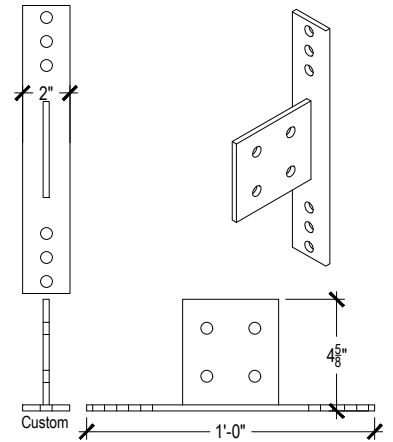
3-3 Tapered Bracket



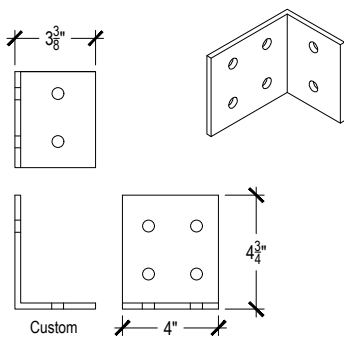
3-4 Tapered Bracket Jamb



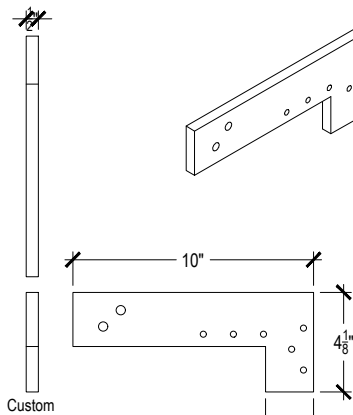
3-5 "T" Bracket



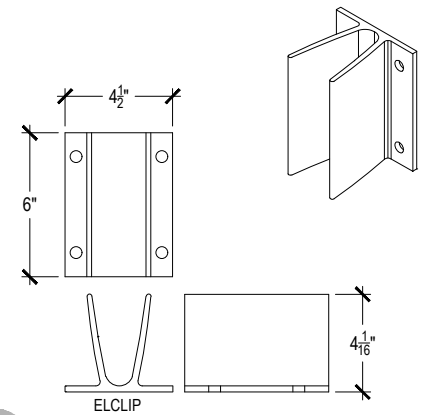
3-6 SSG Intermediate Bracket



3-7 "L" Bracket

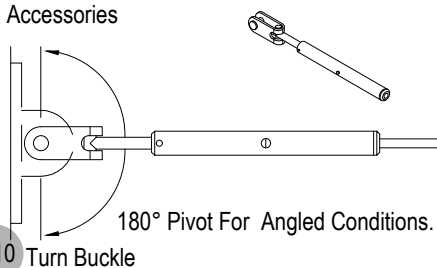


3-8 SSG End Bracket

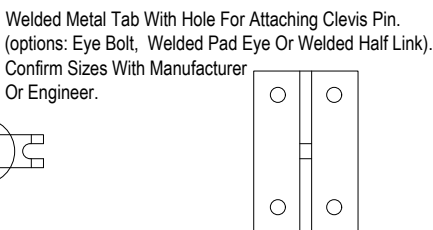


3-9 ELCLIP

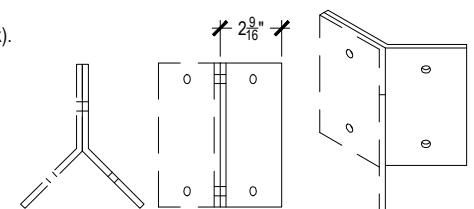
Accessories



3-10 Turn Buckle



3-11 Turn Buckle Bracket



3-12 90° Corner Bracket



# Brise Soleil

Description: Standard Series

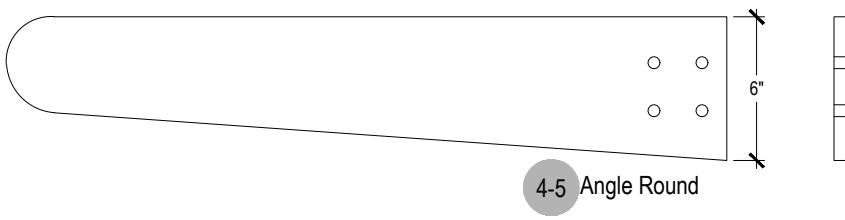
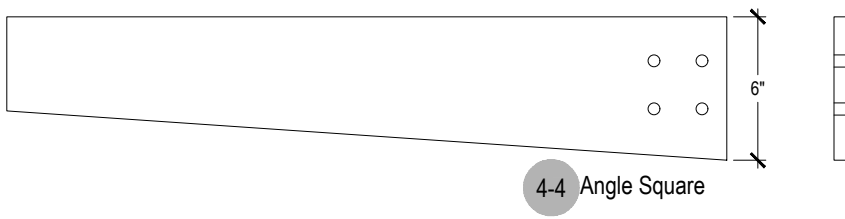
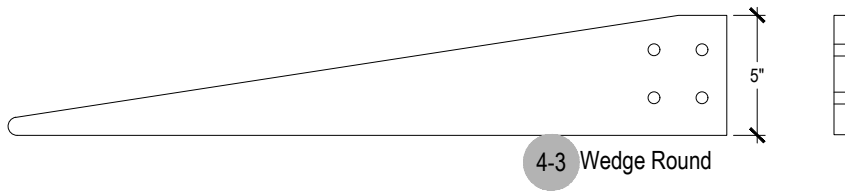
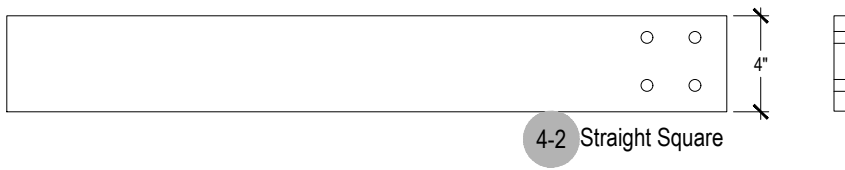
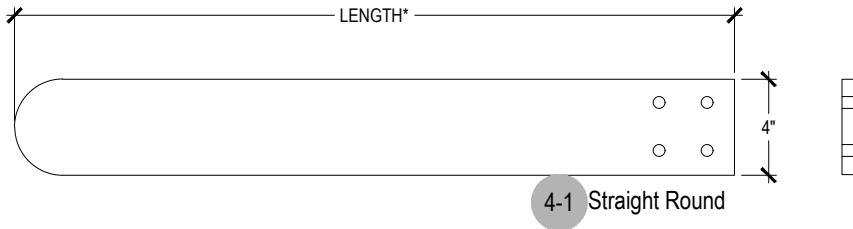
Function: Sun Shade

Detail: Outriggers

Scale: 1/4" = 1'-0"

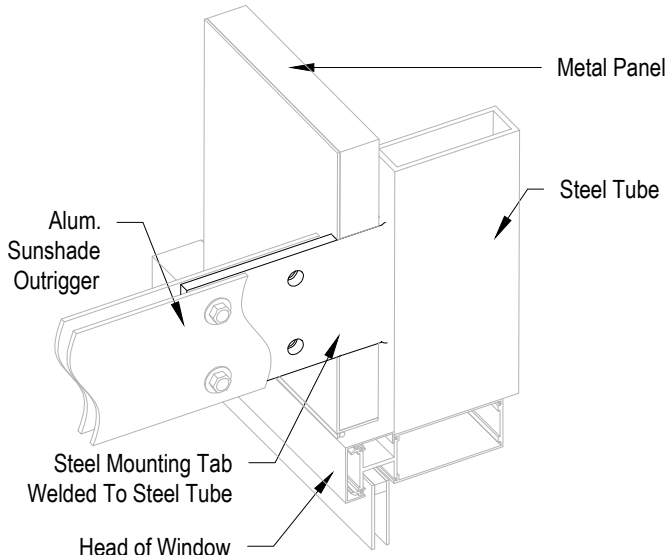
SHEET 4 OF 5

Standard 24", 30", 36", 42", 48"  
Custom As Required To Meet Deign Intent.

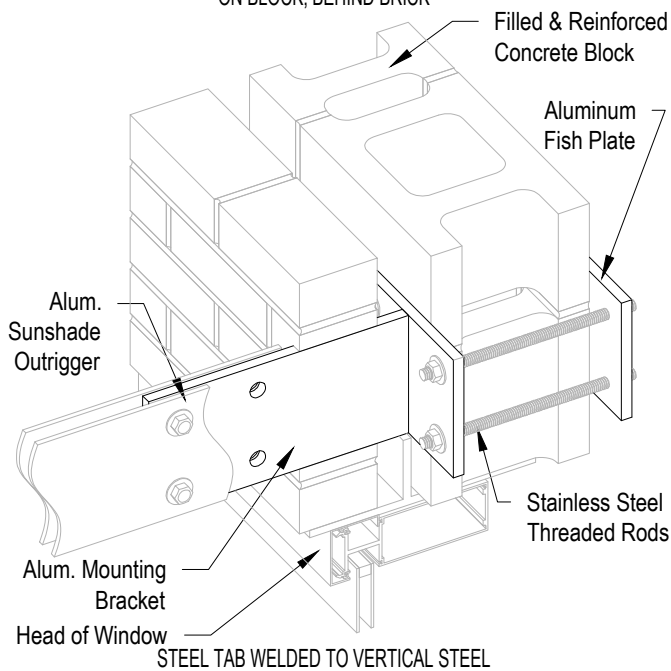


\* Max. Dimension Needs To Be Specified By Certified Engineer  
All Fastener Holes Spacing Shown Need To Be Specified By Certified Engineer

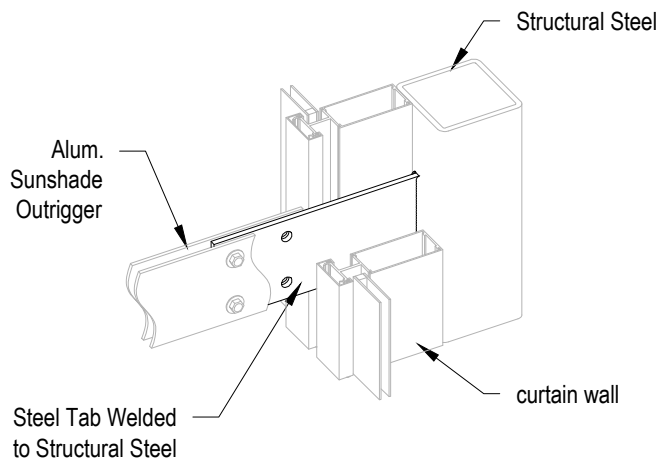
STEEL TAB WELDED TO STEEL TUBE BEHIND METAL PANEL



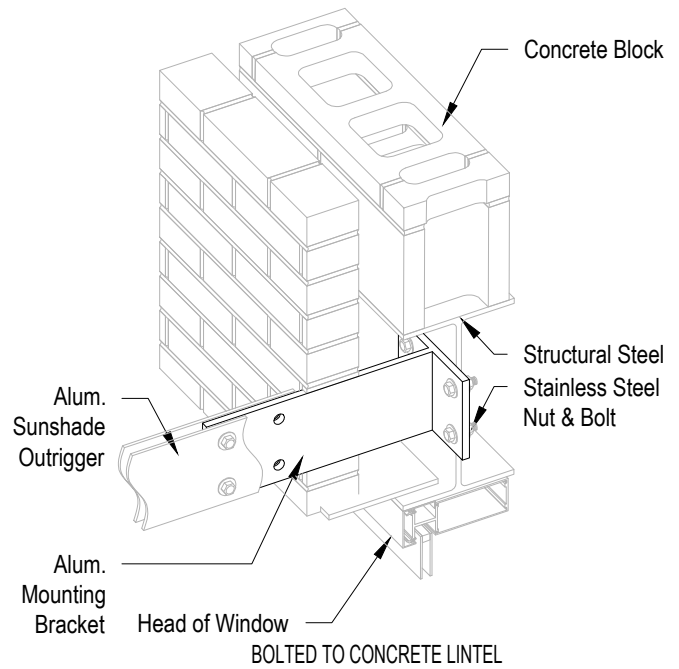
ON BLOCK, BEHIND BRICK



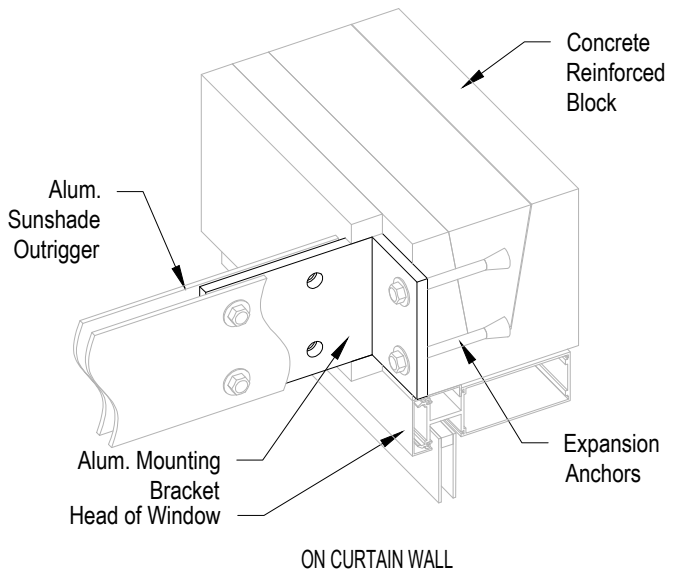
STEEL TAB WELDED TO VERTICAL STEEL



BOLTED TO STEEL BEHIND BRICK



BOLTED TO CONCRETE LINTEL



ON CURTAIN WALL

