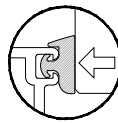


Offset Glazed



Side Load

CASSETTE T500 SSG CLAD WALL

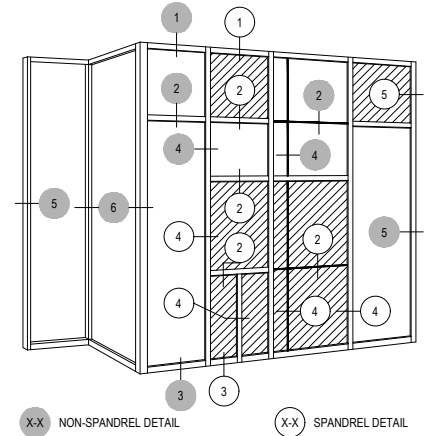
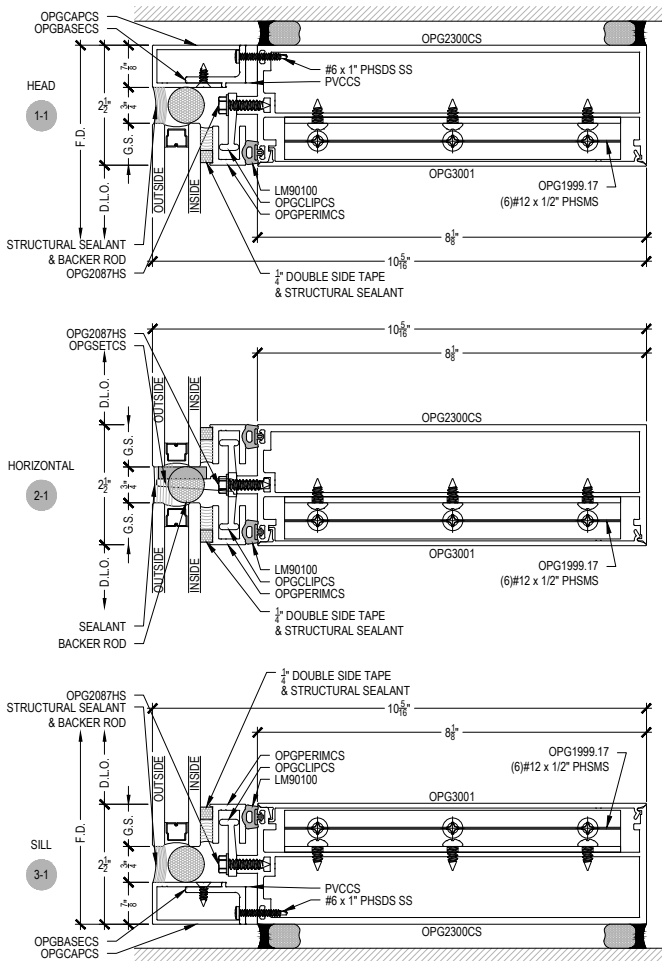
Description: 2 1/2" x 10 5/16" Glazed for 1" Glass

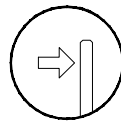
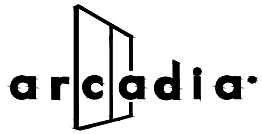
Function: Curtain Wall

Detail: Heads, Horizontals, Sills

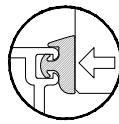
Scale: 3" = 1'-0"

SHEET 1 OF 8





Offset Glazed



Side Load

CASSETTE T500 SSG CLAD WALL

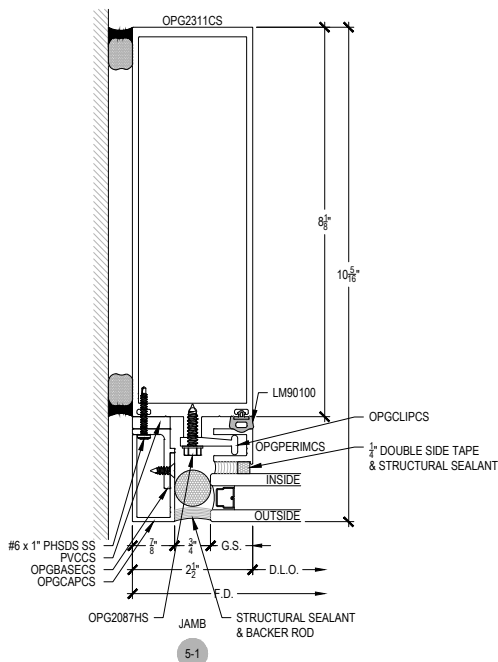
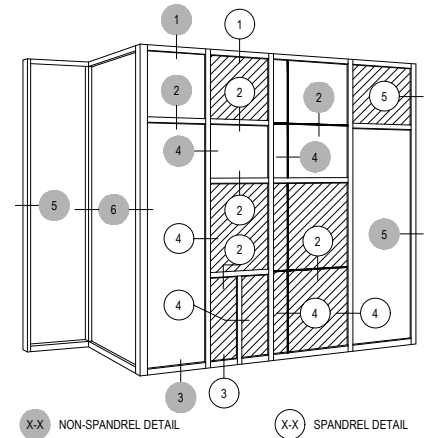
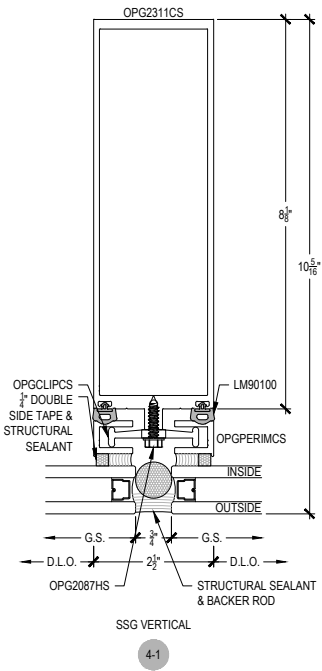
Description: 2 1/2" x 10 5/16" Glazed for 1" Glass

Function: Curtain Wall

Detail: Verticals, Jamb

Scale: 3" = 1'-0"

SHEET 2 OF 8



NOTE:
SEE PARTS ID SHEETS FOR "F"
& "T" ANCHOR PARTS
NUMBERS TO EACH VERTICAL



Offset Glazed



Side Load

CASSETTE T500 SSG CLAD WALL

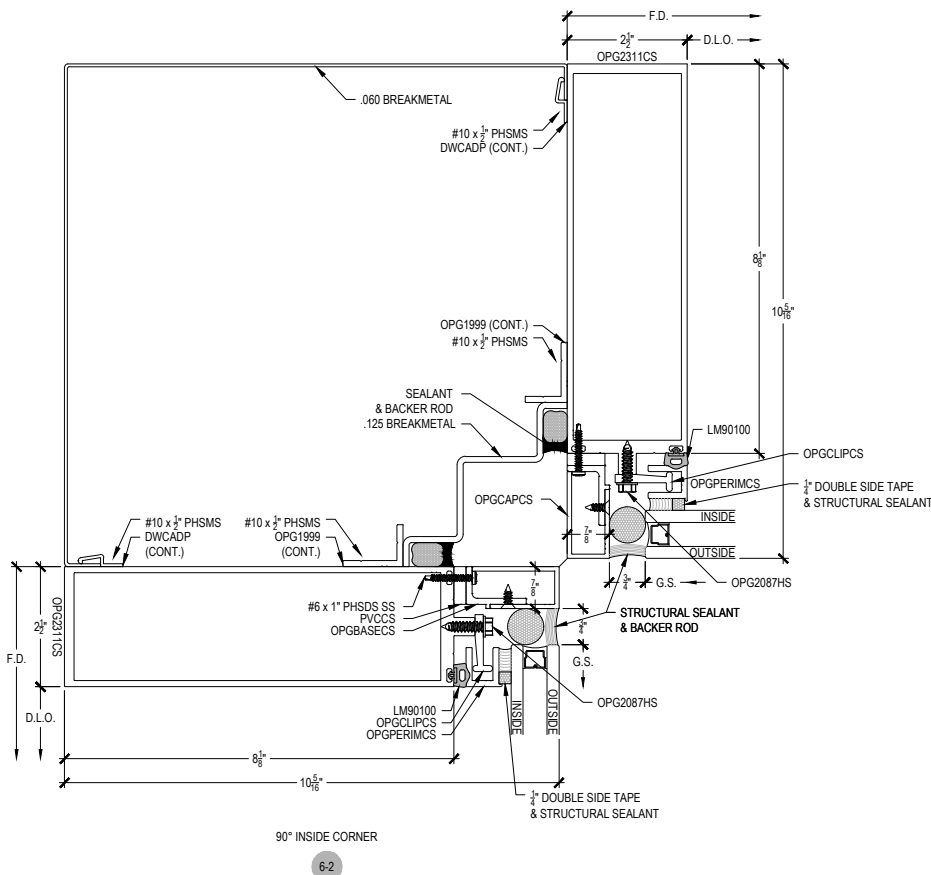
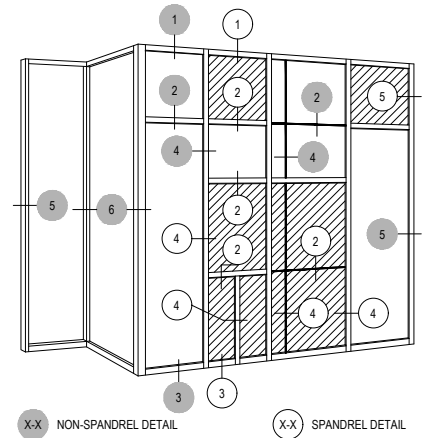
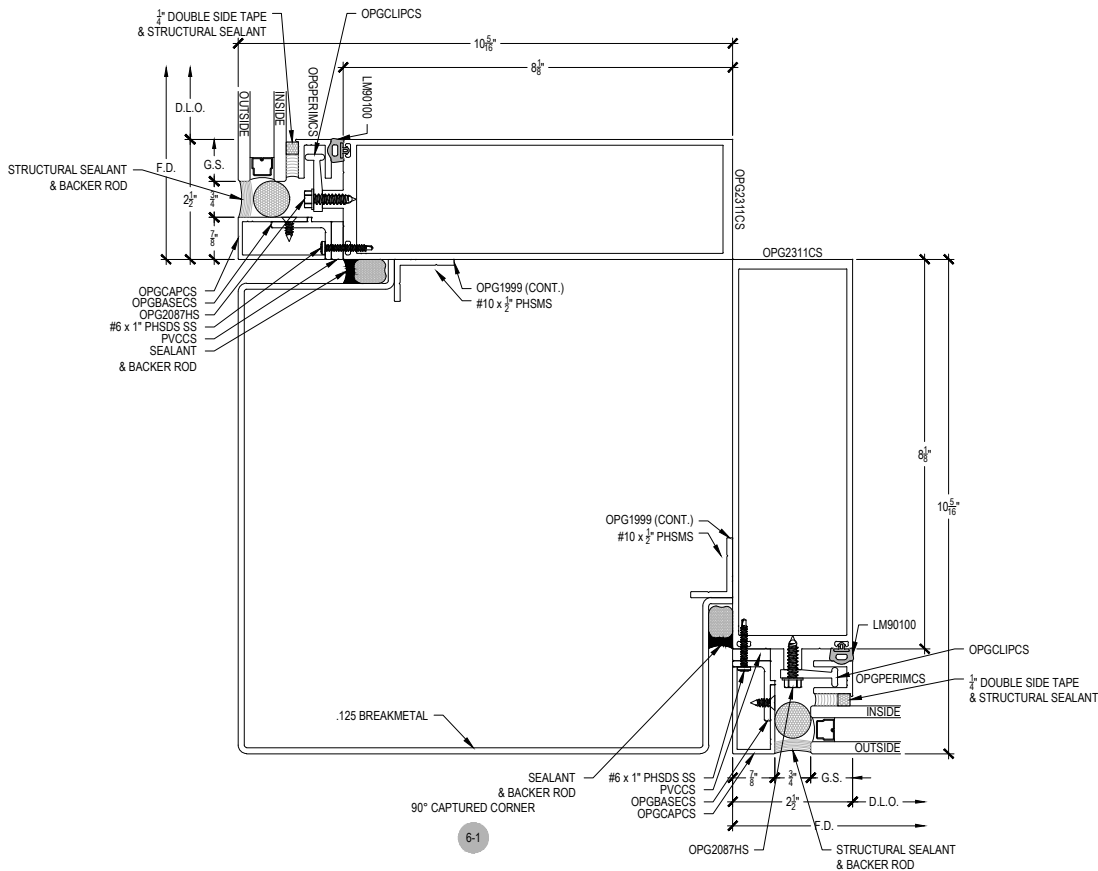
Description: 2 1/2" x 10 5/16" Glazed for 1" Glass

Function: Curtain Wall

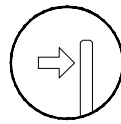
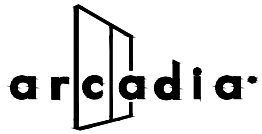
Detail: Corners

Scale: 3" = 1'-0"

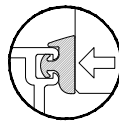
SHEET 3 OF 8



NOTE:
SEE PARTS ID SHEETS FOR "F"
& "T" ANCHOR PARTS
NUMBERS TO EACH VERTICAL



Offset Glazed



Side Load

CASSETTE T500 SSG CLAD WALL

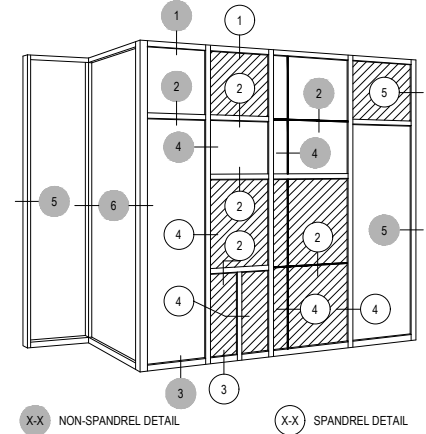
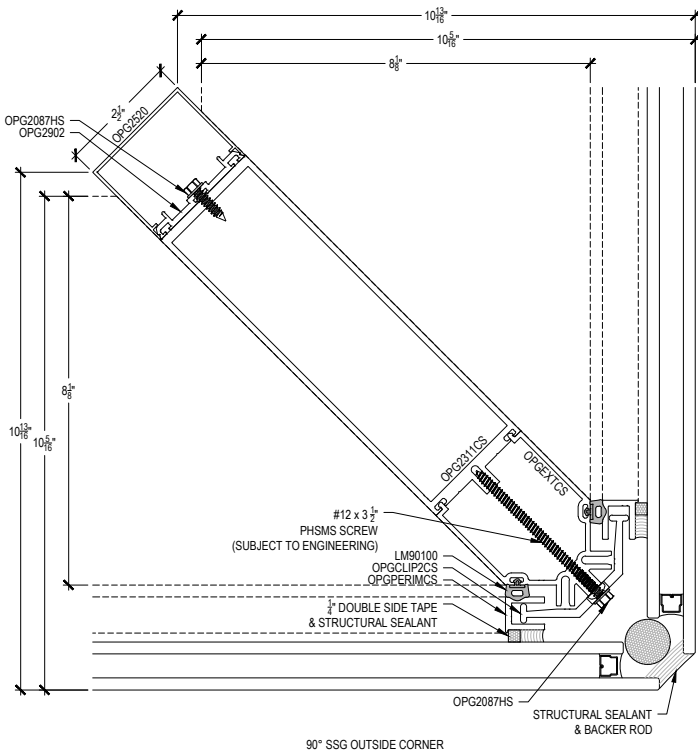
Description: 2 1/2" x 10 5/16" Glazed for 1" Glass

Function: Curtain Wall

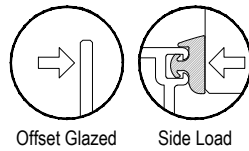
Detail: Corners

Scale: 3" = 1'-0"

SHEET 4 OF 8



NOTE:
SEE PARTS ID SHEETS FOR 'F'
& 'T' ANCHOR PARTS
NUMBERS TO EACH VERTICAL



CASSETTE T500 SSG CLAD WALL

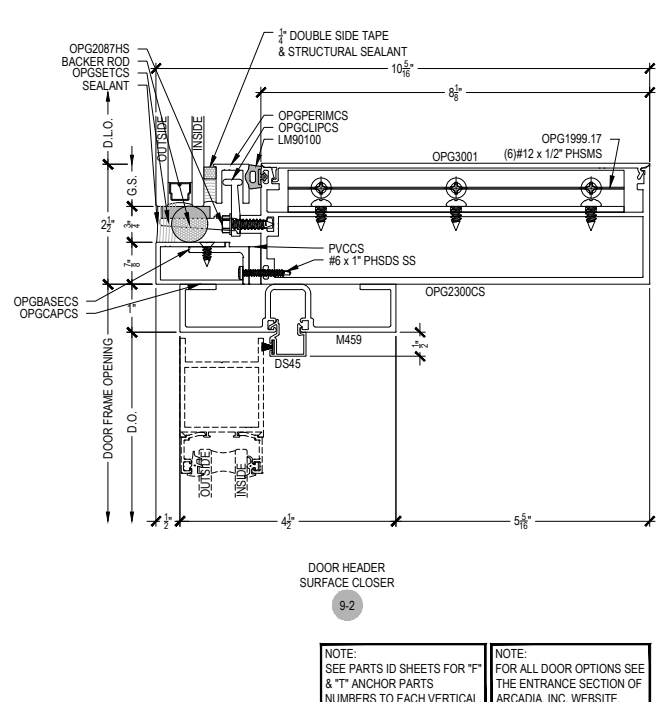
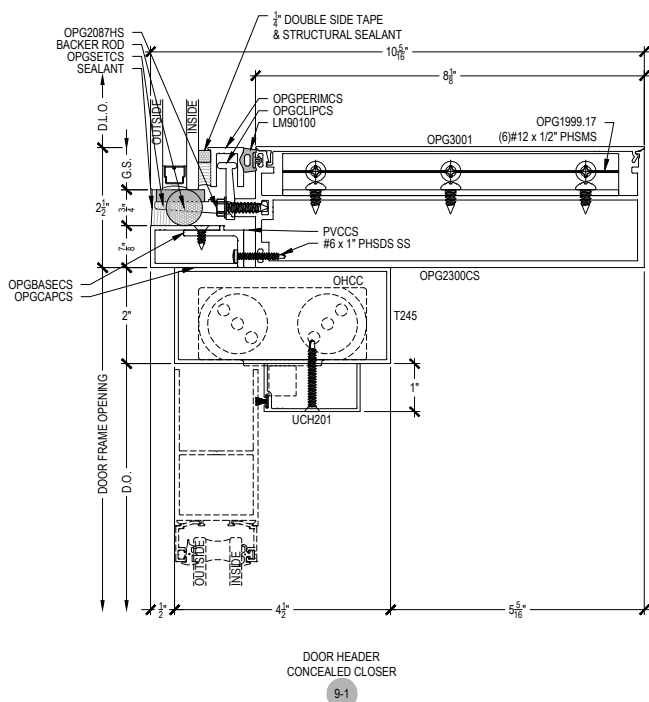
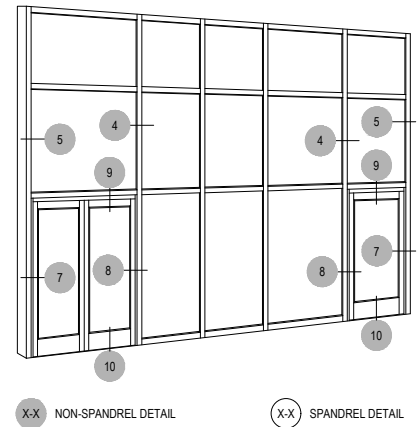
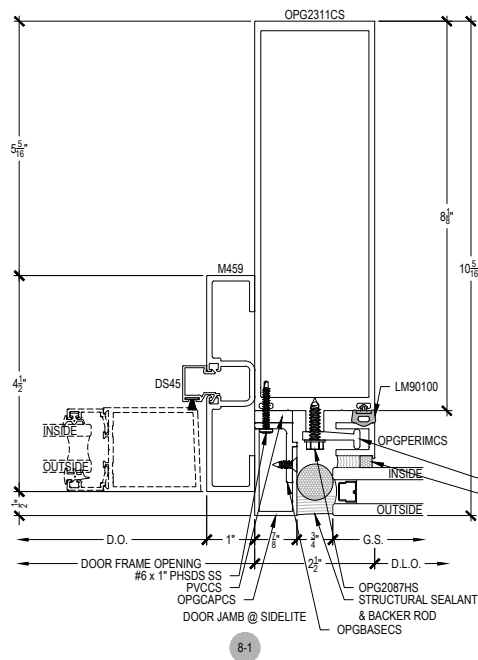
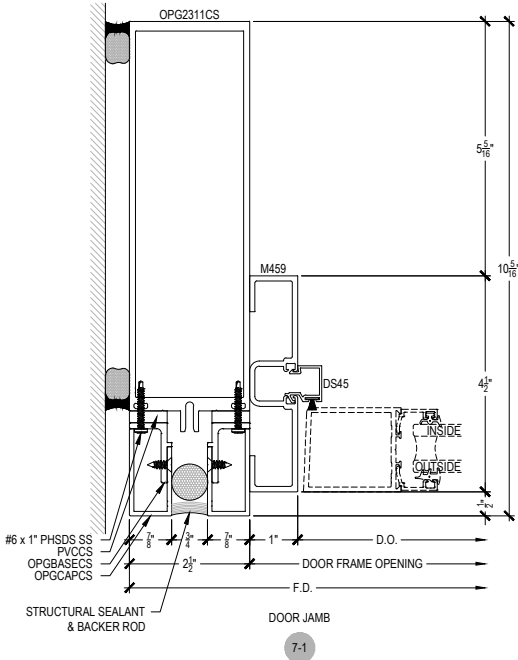
Description: 2 1/2" x 10 5/16" Glazed for 1" Glass

Function: Curtain Wall

Detail: Offset Hung Doors

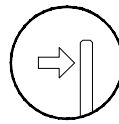
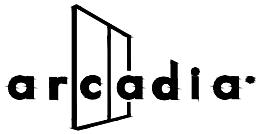
Scale: 3" = 1'-0"

SHEET 5 OF 8

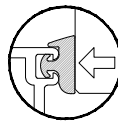


NOTE: SEE PARTS ID SHEETS FOR "F" & "T" ANCHOR PARTS NUMBERS TO EACH VERTICAL.

NOTE: FOR ALL DOOR OPTIONS SEE THE ENTRANCE SECTION OF ARCADIA, INC. WEBSITE.



Offset Glazed



Side Load

CASSETTE T500 SSG CLAD WALL

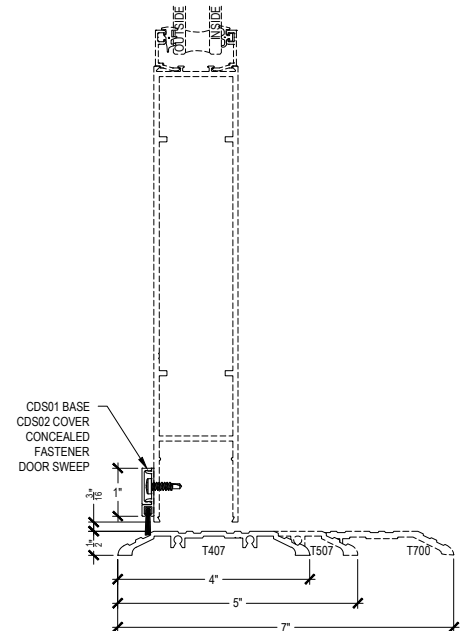
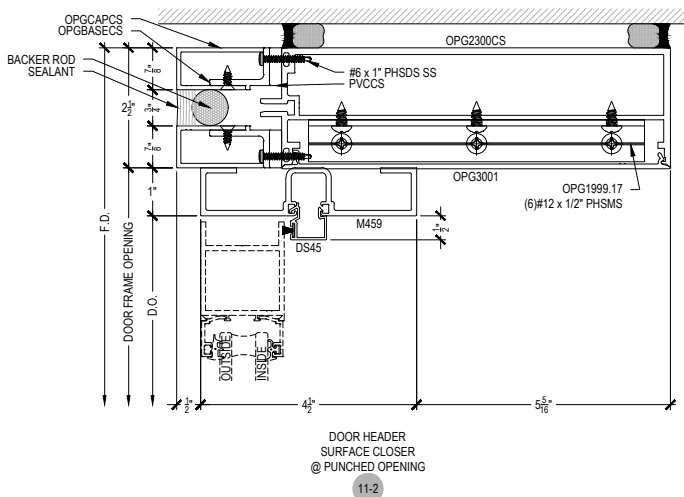
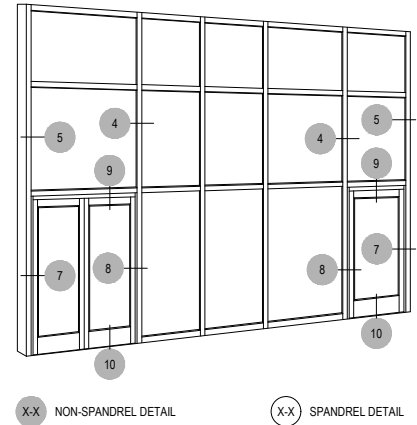
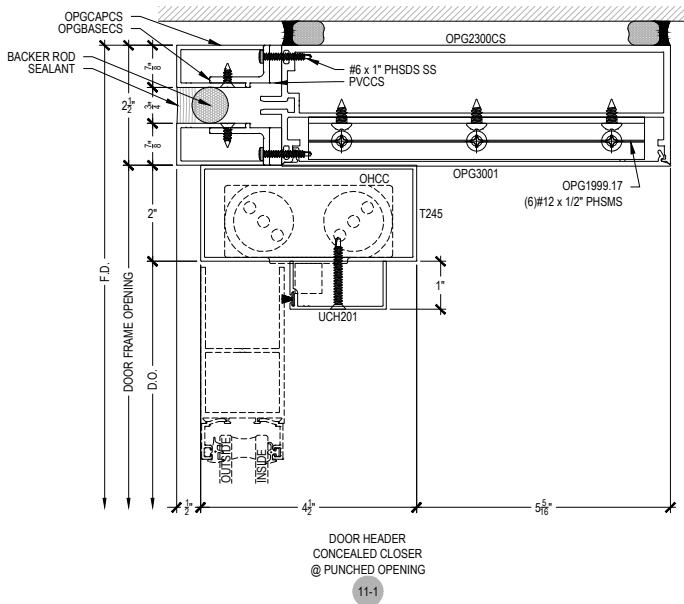
Description: 2 1/2" x 10 5/16" Glazed for 1" Glass

Function: Curtain Wall

Detail: Offset Hung Doors

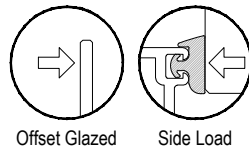
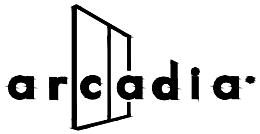
Scale: 3" = 1'-0"

SHEET 6 OF 8



NOTE: SEE PARTS ID SHEETS FOR "F" & "T" ANCHOR PARTS NUMBERS TO EACH VERTICAL.

NOTE: FOR ALL DOOR OPTIONS SEE THE ENTRANCE SECTION OF ARCADIA, INC. WEBSITE.



CASSETTE T500 SSG CLAD WALL

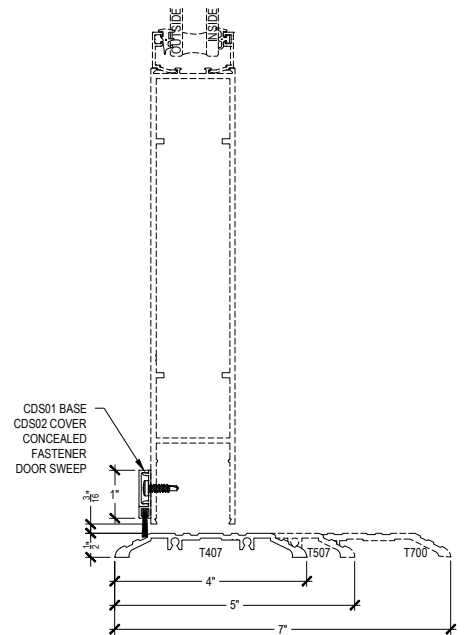
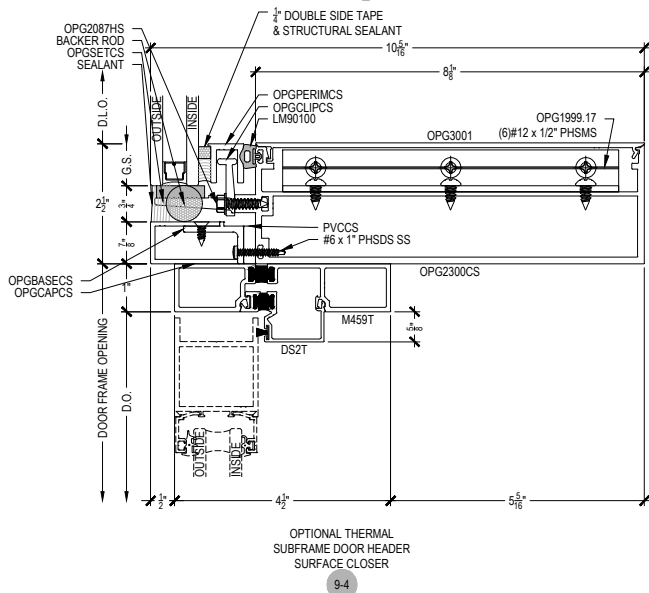
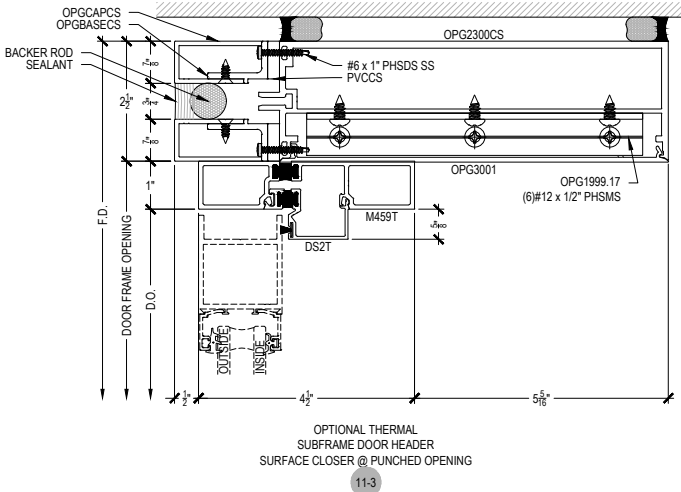
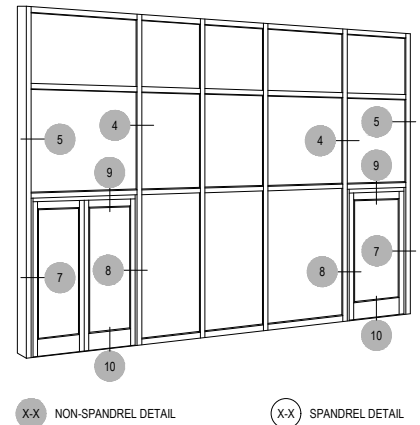
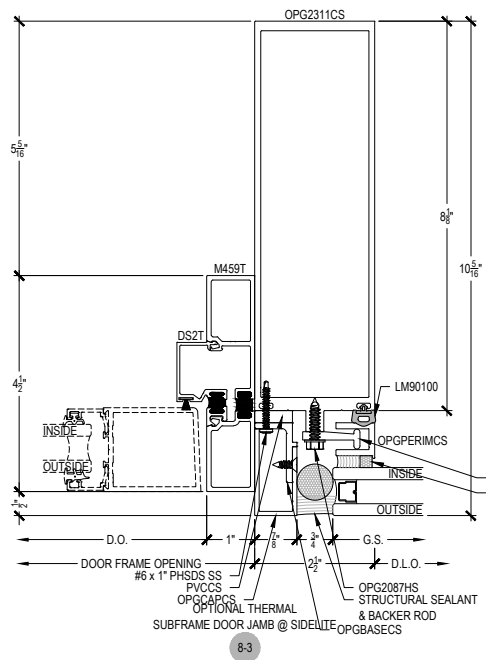
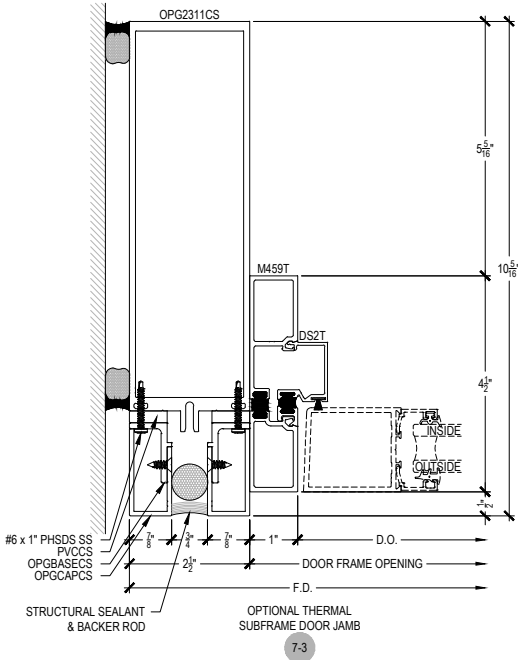
Description: 2 1/2" x 10 5/16" Glazed for 1" Glass

Function: Curtain Wall

Detail: Offset Hung Doors & Options

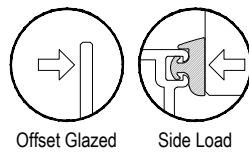
Scale: 3" = 1'-0"

SHEET 7 OF 8



NOTE: SEE PARTS ID SHEETS FOR "F" & "T" ANCHOR PARTS NUMBERS TO EACH VERTICAL.

NOTE: FOR ALL DOOR OPTIONS SEE THE ENTRANCE SECTION OF ARCADIA, INC. WEBSITE.



CASSETTE T500 SSG CLAD WALL

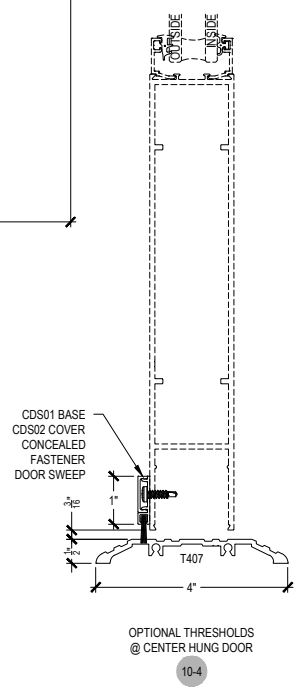
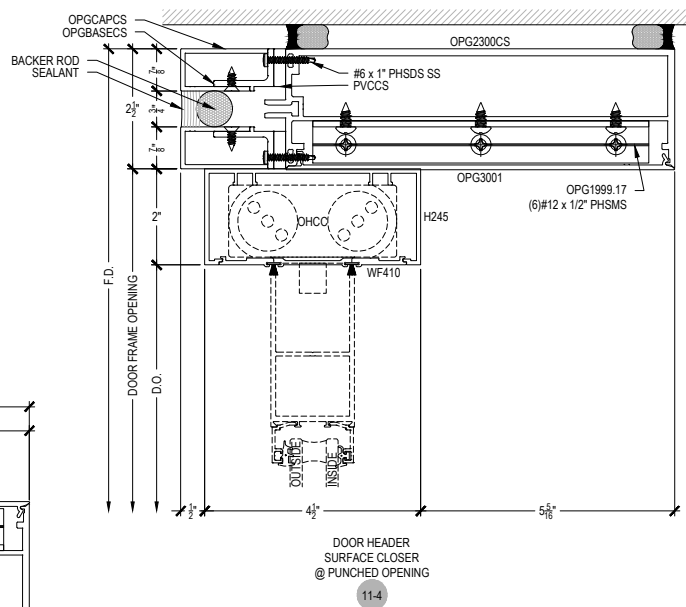
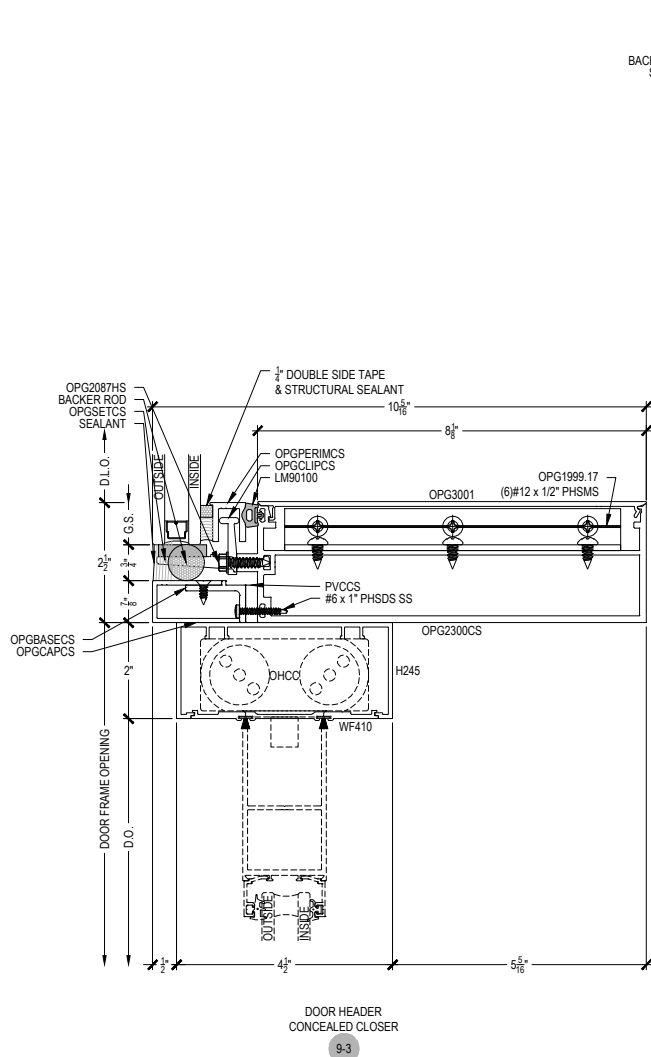
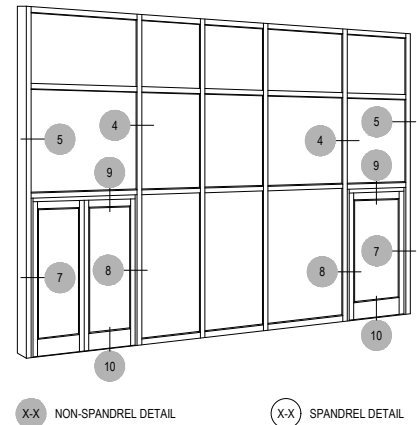
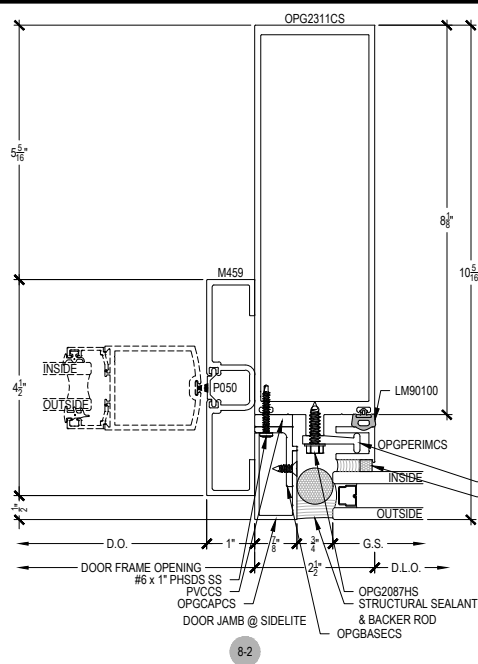
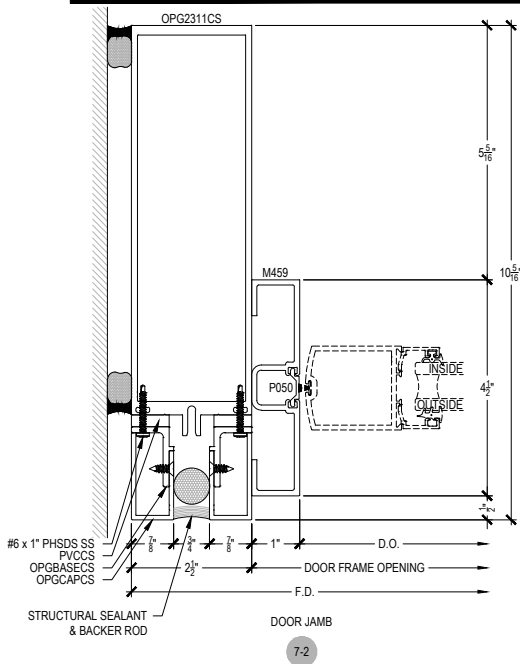
Description: 2 1/2" x 10 5/16" Glazed for 1" Glass

Function: Curtain Wall

Detail: Center Hung Doors

Scale: 3" = 1'-0"

SHEET 8 OF 8



NOTE: SEE PARTS ID SHEETS FOR "F" & "T" ANCHOR PARTS NUMBERS TO EACH VERTICAL.
NOTE: FOR ALL DOOR OPTIONS SEE THE ENTRANCE SECTION OF ARCADIA, INC. WEBSITE.