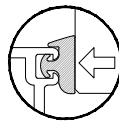


Offset Glazed



Side Load

CASSETTE T500 SSG CLAD WALL

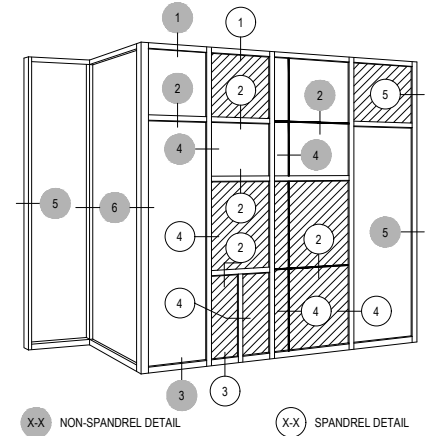
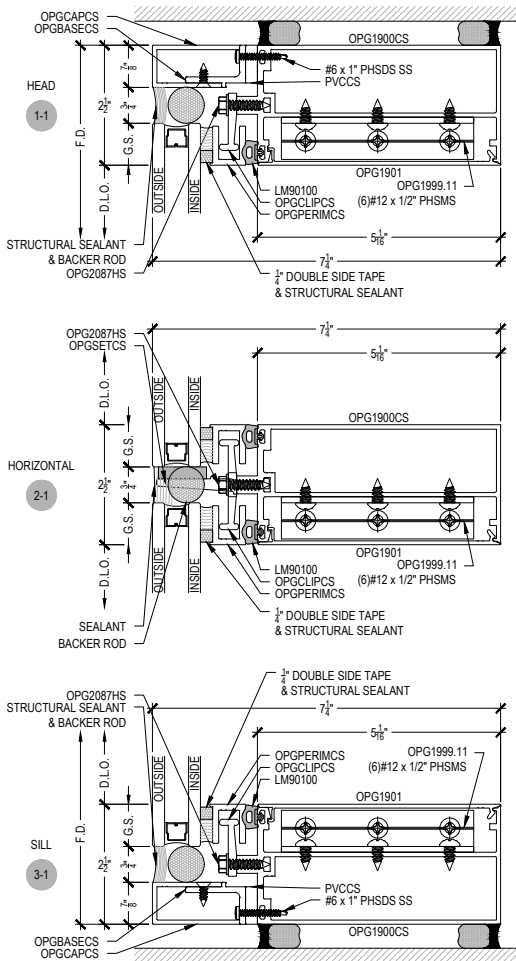
Description: 2 1/2" x 7 1/4" Glazed for 1" Glass

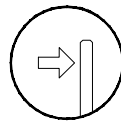
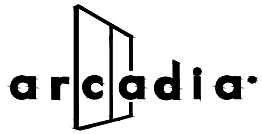
Function: Curtain Wall

Detail: Heads, Horizontals, Sills

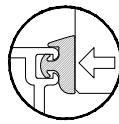
Scale: 3" = 1'-0"

SHEET 1 OF 7





Offset Glazed



Side Load

CASSETTE T500 SSG CLAD WALL

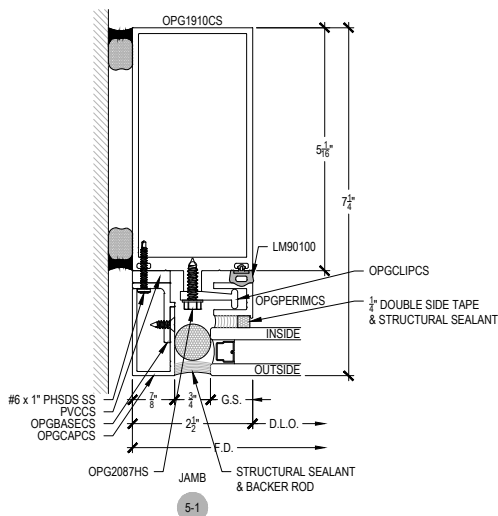
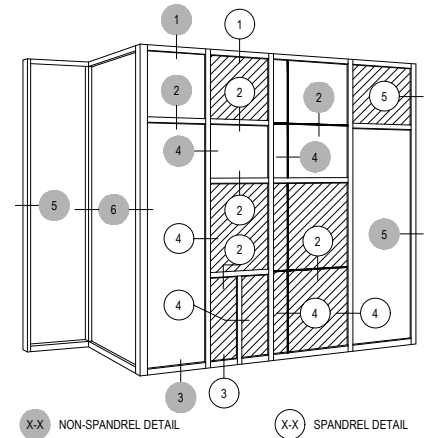
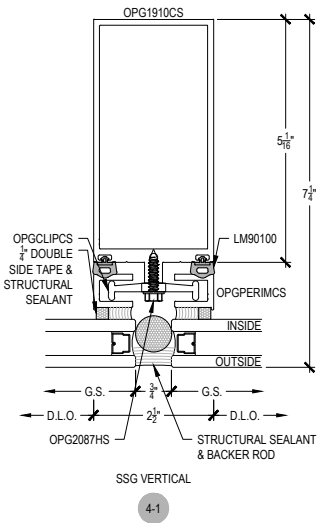
Description: 2 1/2" x 7 1/4" Glazed for 1" Glass

Function: Curtain Wall

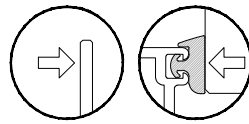
Detail: Verticals, Jamb

Scale: 3" = 1'-0"

SHEET 2 OF 7



NOTE:
SEE PARTS ID SHEETS FOR "F"
& "T" ANCHOR PARTS
NUMBERS TO EACH VERTICAL



Offset Glazed

Side Load

CASSETTE T500 SSG CLAD WALL

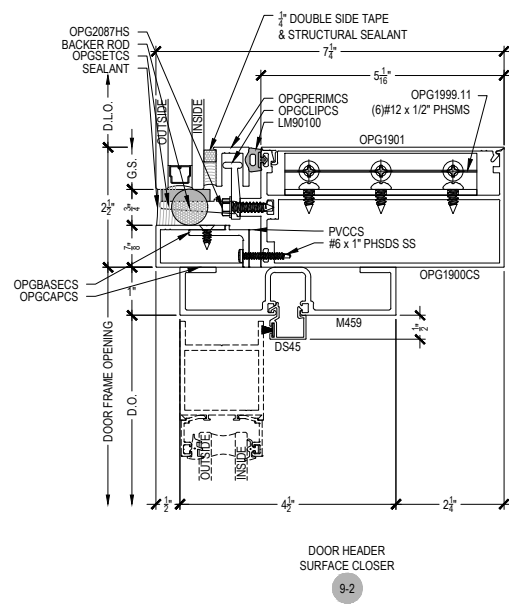
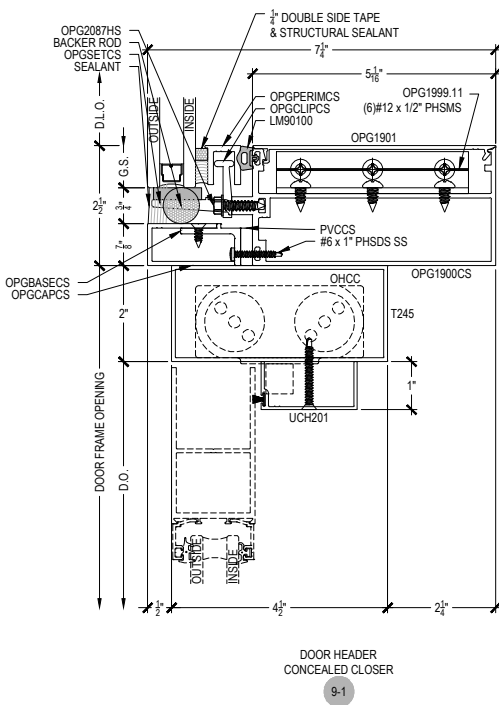
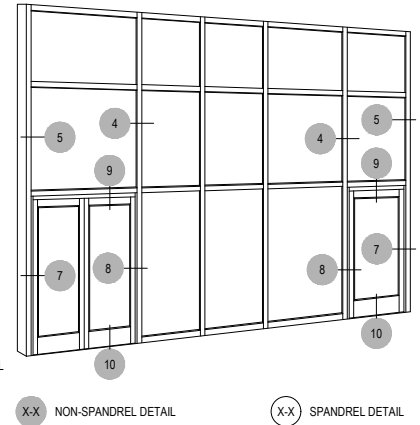
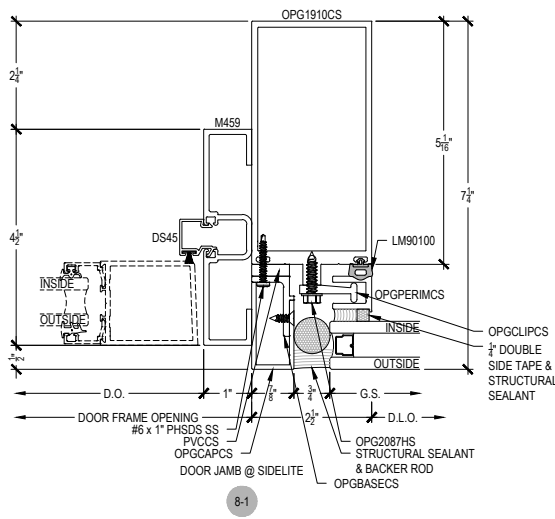
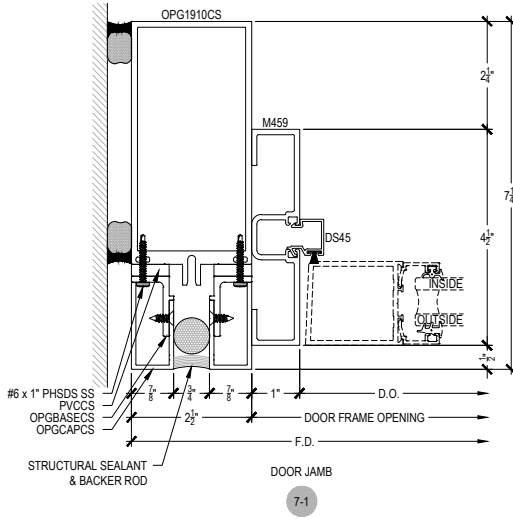
Description: 2 1/2" x 7 1/4" Glazed for 1" Glass

Function: Curtain Wall

Detail: Offset Hung Doors

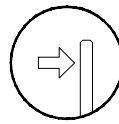
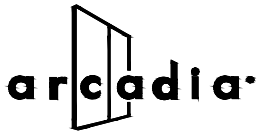
Scale: 3" = 1'-0"

SHEET 4 OF 7

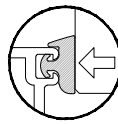


NOTE: SEE PARTS ID SHEETS FOR "F" & "T" ANCHOR PARTS NUMBERS TO EACH VERTICAL.

NOTE: FOR ALL DOOR OPTIONS SEE THE ENTRANCE SECTION OF ARCADIA, INC. WEBSITE.



Offset Glazed



Side Load

CASSETTE T500 SSG CLAD WALL

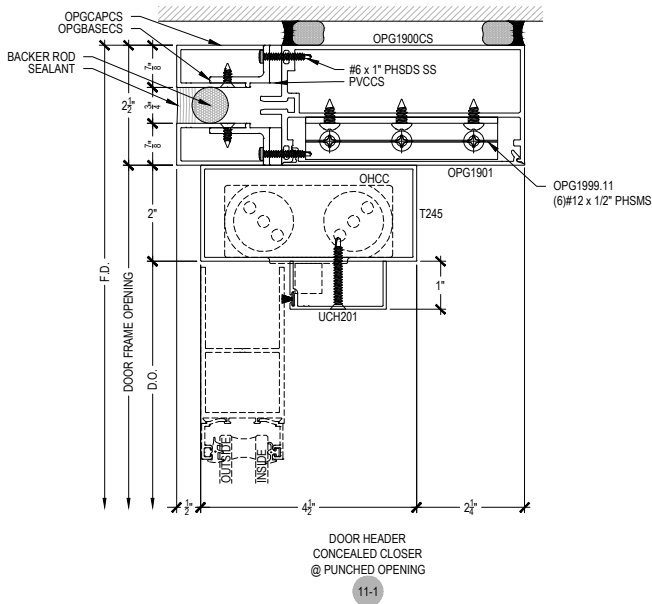
Description: 2 1/2" x 7 1/4" Glazed for 1" Glass

Function: Curtain Wall

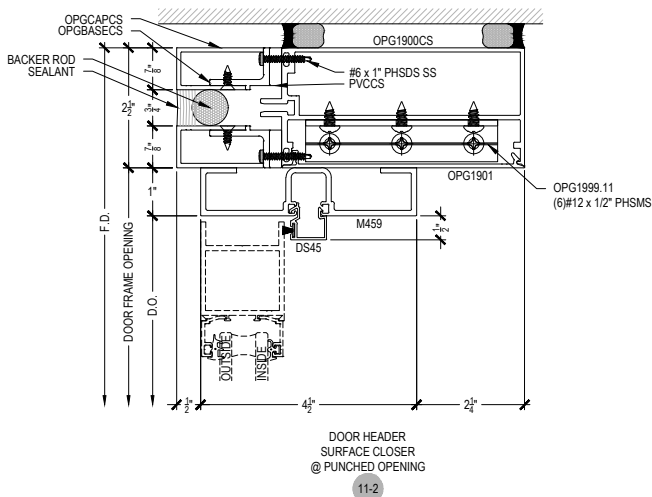
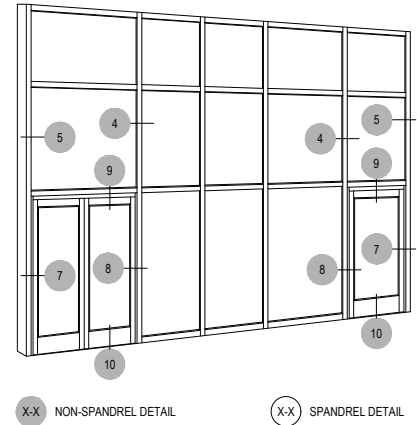
Detail: Offset Hung Doors

Scale: 3" = 1'-0"

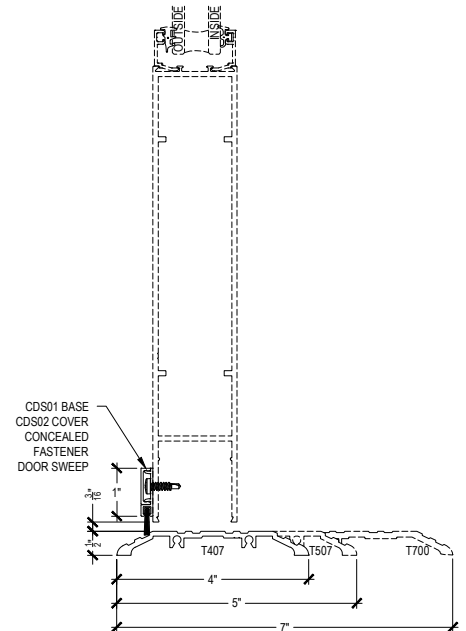
SHEET 5 OF 7



11-1



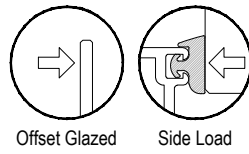
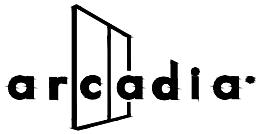
11-2



OPTIONAL THRESHOLDS @ OFFSET HUNG DOOR
10-1 10-2 10-3

NOTE: SEE PARTS ID SHEETS FOR "F" & "T" ANCHOR PARTS NUMBERS TO EACH VERTICAL.

NOTE: FOR ALL DOOR OPTIONS SEE THE ENTRANCE SECTION OF ARCADIA, INC. WEBSITE.



CASSETTE T500 SSG CLAD WALL

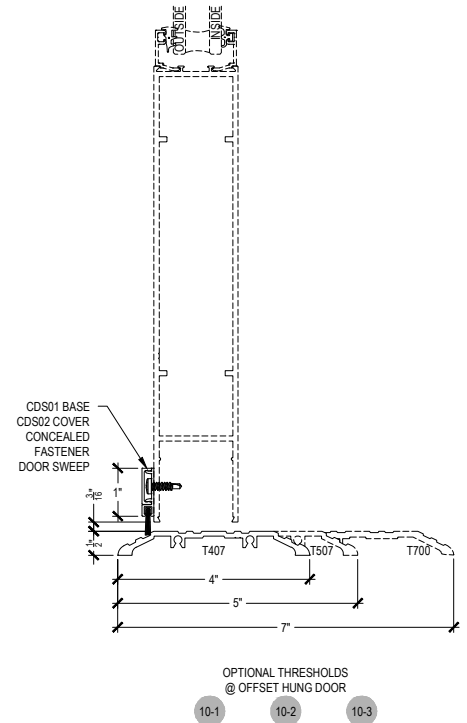
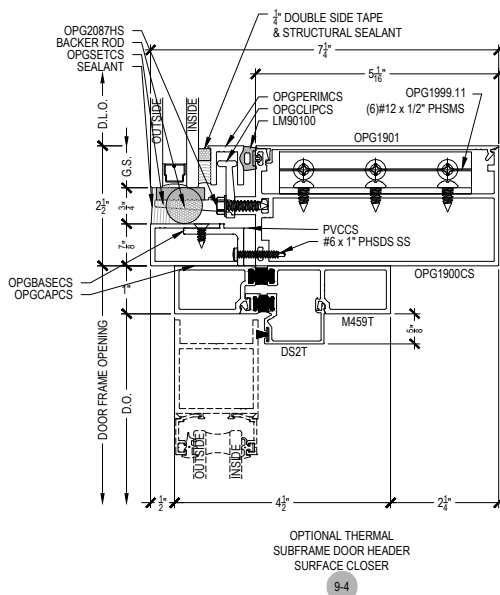
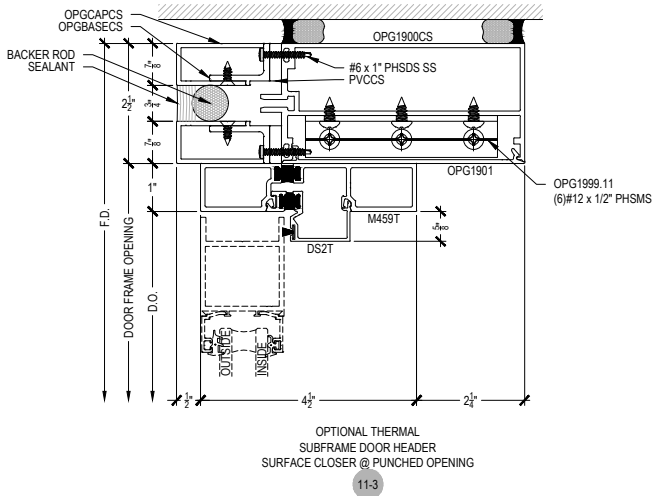
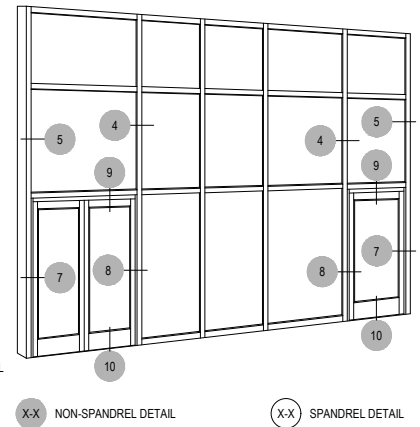
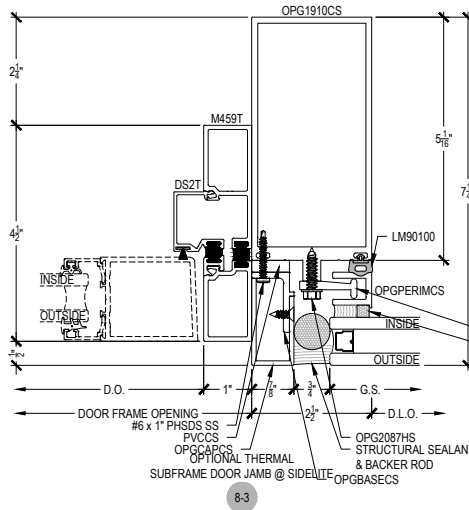
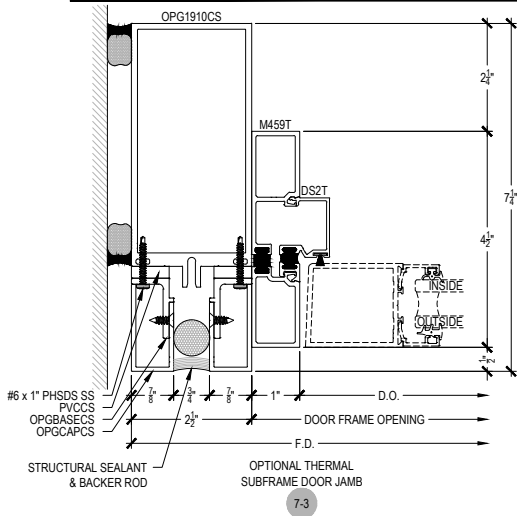
Description: 2 1/2" x 7 1/4" Glazed for 1" Glass

Function: Curtain Wall

Detail: Offset Hung Doors & Options

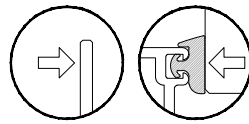
Scale: 3" = 1'-0"

SHEET 6 OF 7



NOTE: SEE PARTS ID SHEETS FOR "F" & "T" ANCHOR PARTS NUMBERS TO EACH VERTICAL.

NOTE: FOR ALL DOOR OPTIONS SEE THE ENTRANCE SECTION OF ARCADIA, INC. WEBSITE.



Offset Glazed

Side Load

CASSETTE T500 SSG CLAD WALL

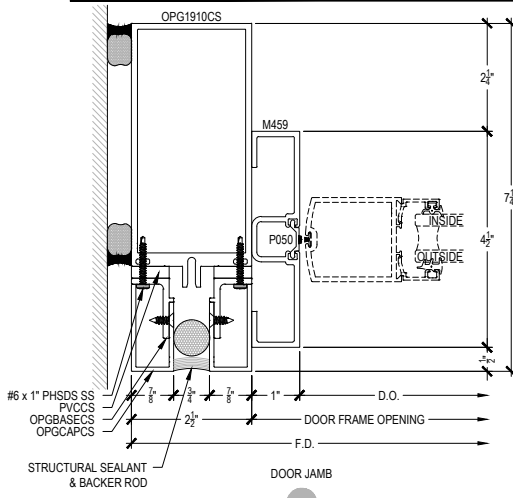
Description: 2 1/2" x 7 1/4" Glazed for 1" Glass

Function: Curtain Wall

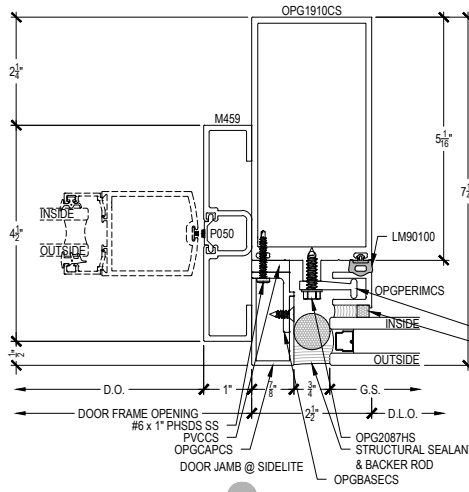
Detail: Center Hung Doors

Scale: 3" = 1'-0"

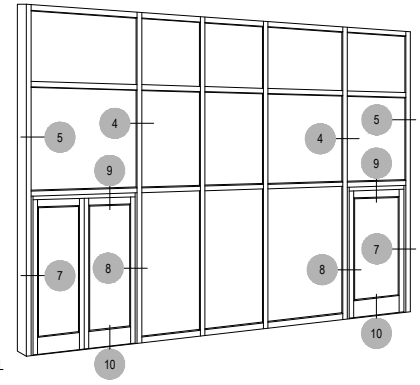
SHEET 7 OF 7



7-2

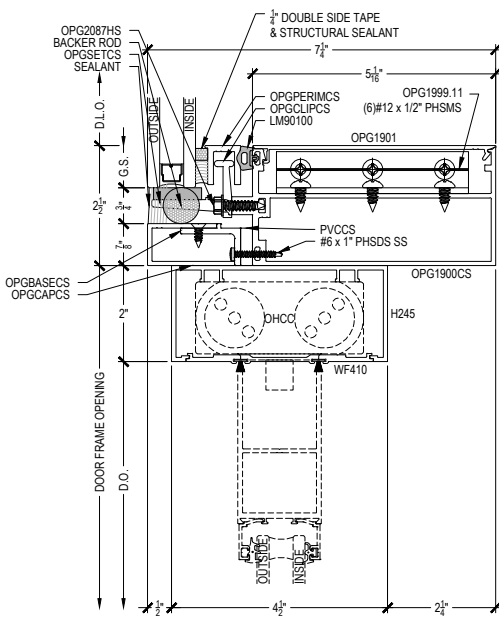


8-2



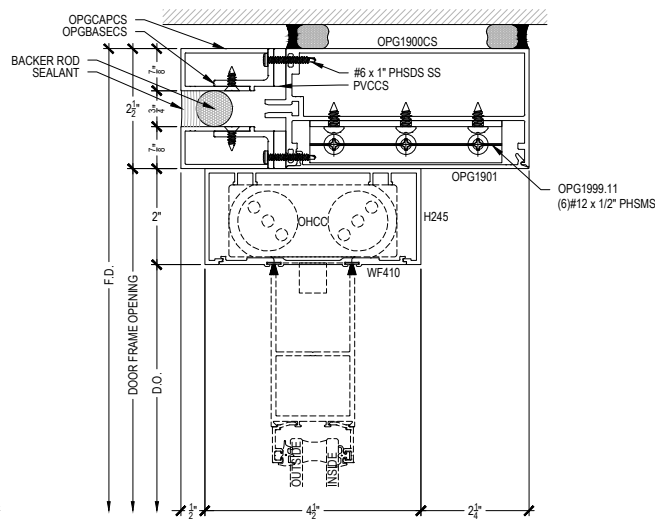
X-X NON-SPANDREL DETAIL

X-X SPANDREL DETAIL



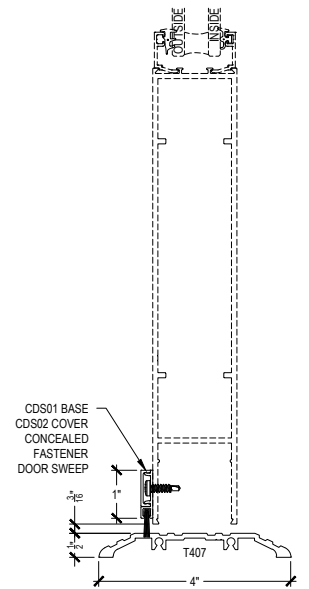
DOOR HEADER CONCEALED CLOSER

9-3



DOOR HEADER SURFACE CLOSER @ PUNCHED OPENING

11-4



OPTIONAL THRESHOLDS @ CENTER HUNG DOOR

10-4

NOTE: SEE PARTS ID SHEETS FOR "F" & "T" ANCHOR PARTS NUMBERS TO EACH VERTICAL.

NOTE: FOR ALL DOOR OPTIONS SEE THE ENTRANCE SECTION OF ARCADIA, INC. WEBSITE.