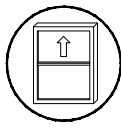
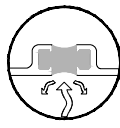


Fixed



Single Hung



Thermal

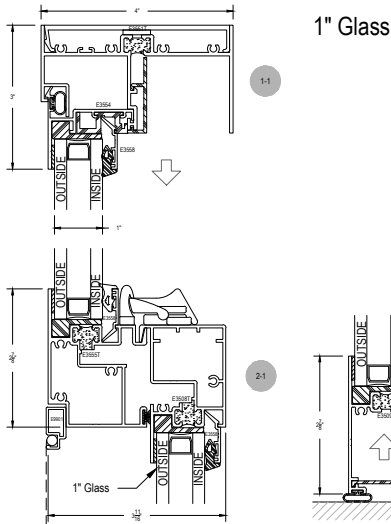
C3550 Series

Description: Single Hung

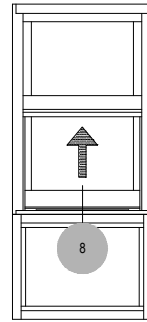
Function: Window

Detail: All

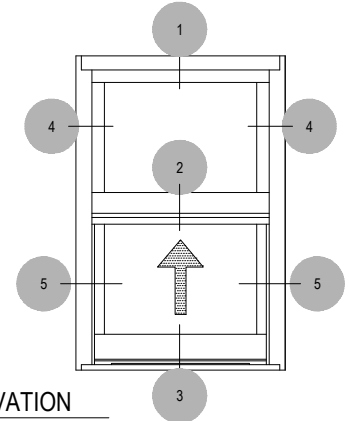
Scale: 3" = 1'-0"



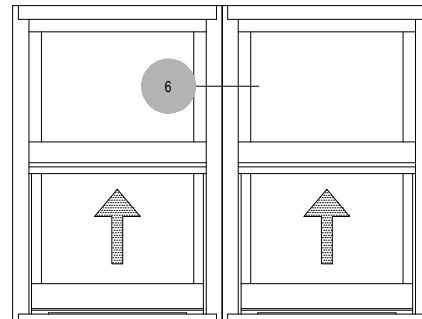
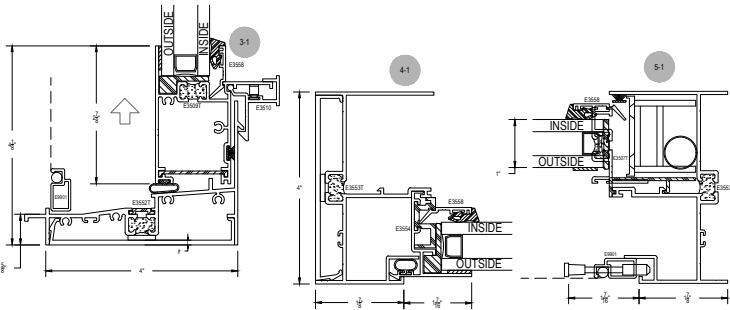
GLASS SIZE	STOPS
1/2"	ESB70
3/8"	ESB72
1/2"	ESB71
1"	ESB68



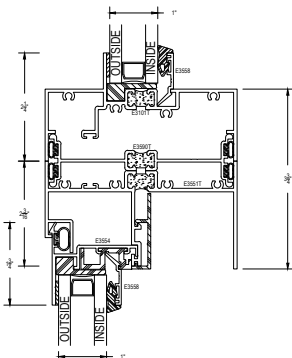
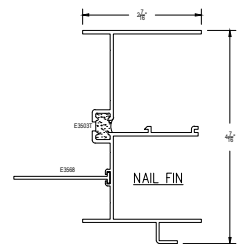
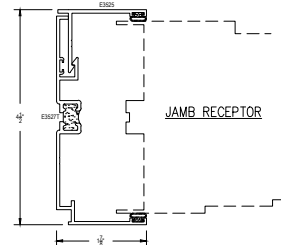
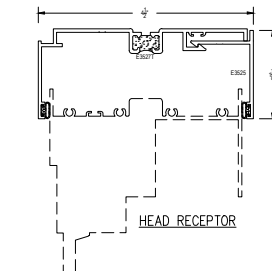
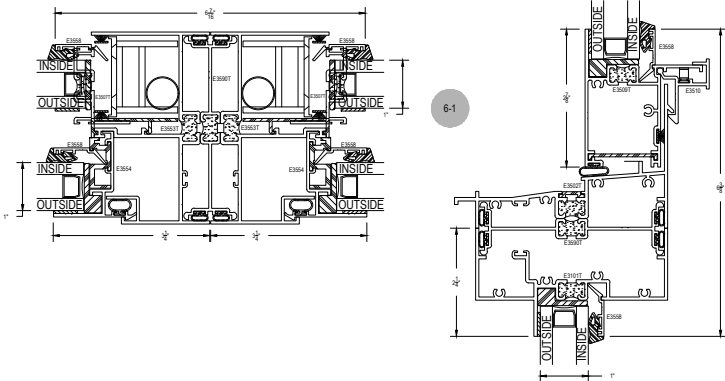
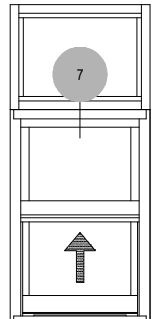
EXTERIOR ELEVATION
N.T.S.



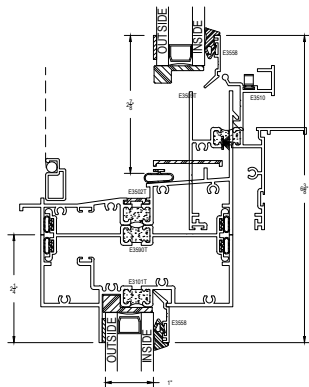
EXTERIOR ELEVATION
N.T.S.



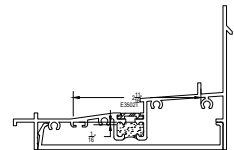
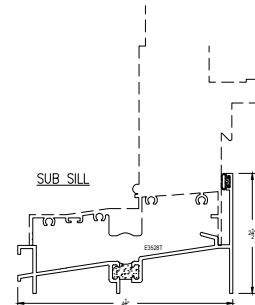
EXTERIOR ELEVATION
N.T.S.



7-1



8-1a



EXTRUDED VINYL
CAULK STOP