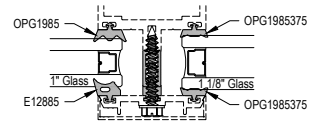
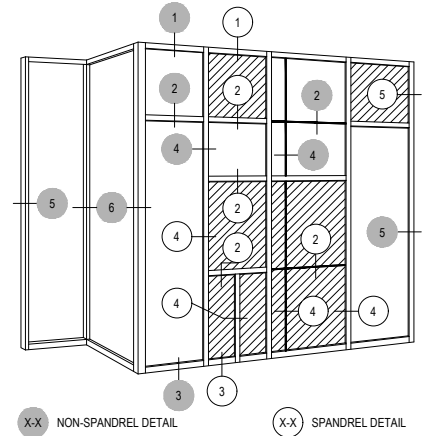
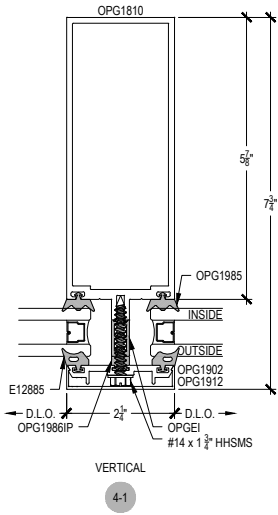


Offset Glazed Side Load Thermal
Optional Projected Cover Caps Available

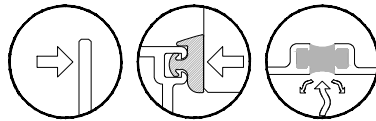
T500 (OPG1900ET) Series

Description: 2 1/4" x 7 3/4" Glazed for 1" & 1-1/8" Glass
Function: Curtain Wall
Detail: Verticals
Scale: 3" = 1'-0"

SHEET 2 OF 8



NOTE:
SEE PARTS ID SHEETS FOR "F"
& "T" ANCHOR PARTS
NUMBERS TO EACH VERTICAL.

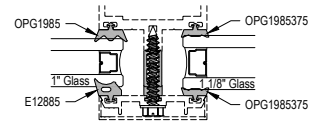
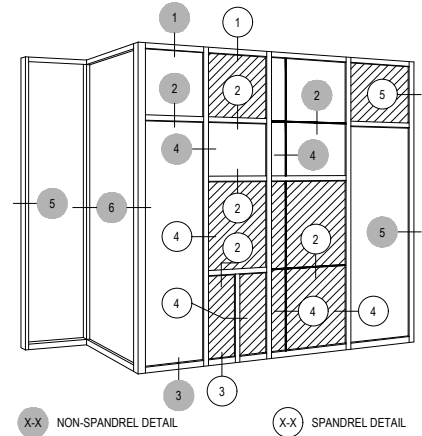
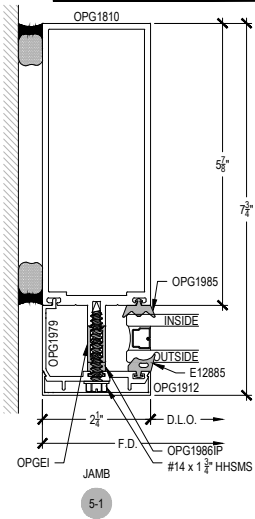


Offset Glazed Side Load Thermal
Optional Projected Cover Caps Available

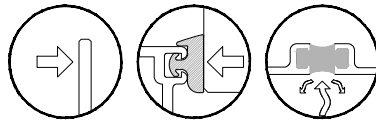
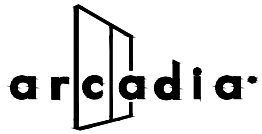
T500 (OPG1900ET) Series

Description: 2 1/4" x 7 3/4" Glazed for 1" & 1-1/8" Glass
Function: Curtain Wall
Detail: Jamb
Scale: 3" = 1'-0"

SHEET 3 OF 8



NOTE:
SEE PARTS ID SHEETS FOR 'F'
& 'T' ANCHOR PARTS
NUMBERS TO EACH VERTICAL



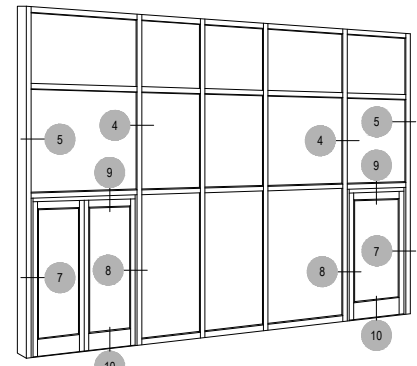
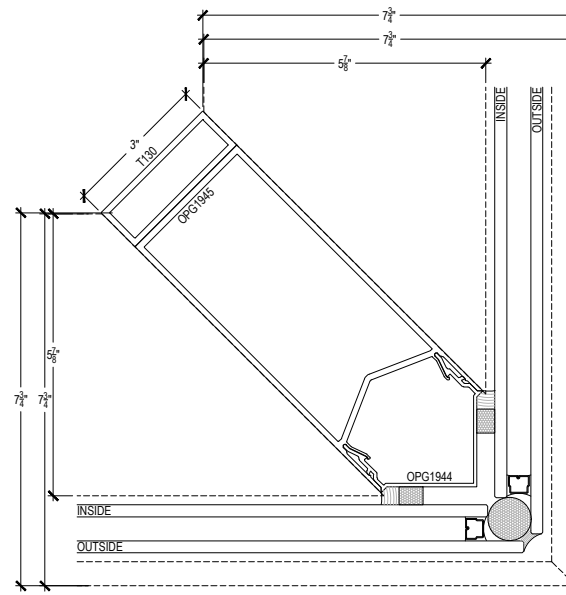
Offset Glazed
Side Load
Thermal
Optional Projected Cover Caps Available

T500 (OPG1900ET) Series

Description: 2 1/4" x 7 3/4" Glazed for 1" & 1-1/8" Glass
Function: Curtain Wall
Detail: Corners
Scale: 3" = 1'-0"

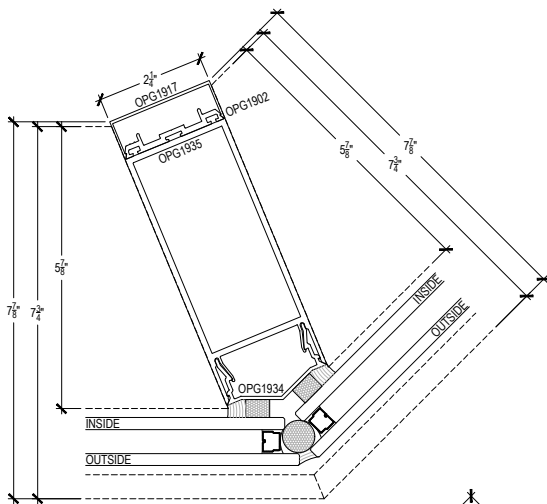
SHEET 4 OF 8

INTENTIONALLY LEFT BLANK
NO CURRENT DETAIL

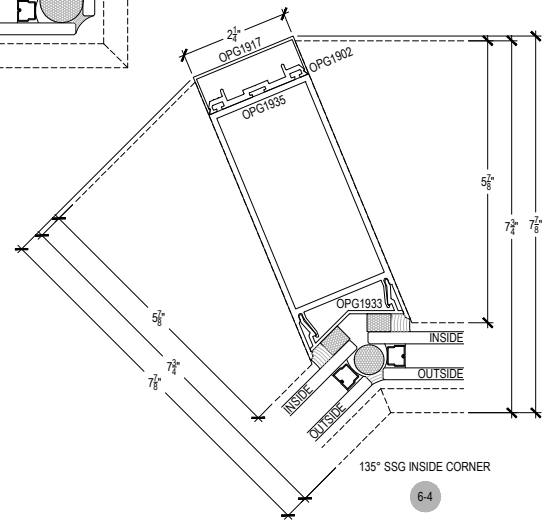


(X-X) NON-SPANDREL DETAIL (X-X) SPANDREL DETAIL

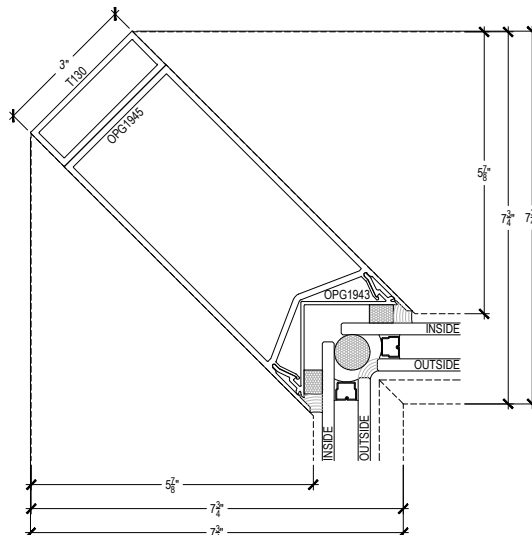
90° CAPTURED CORNER
6-1



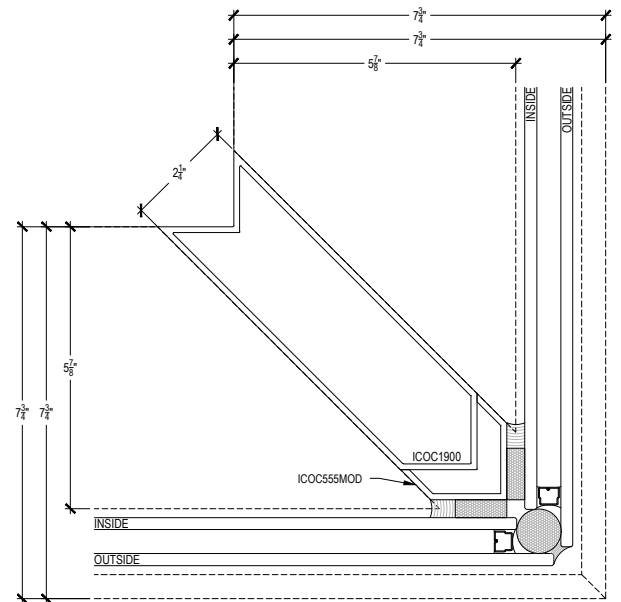
90° SSG Outside Corner
6-2



135° SSG Outside Corner
6-3

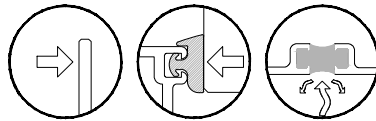


90° SSG Inside Corner
6-5



90° SSG Outside Corner
6-6

NOTE:
SEE PARTS ID SHEETS FOR 'F'
& 'T' ANCHOR PARTS
NUMBERS TO EACH VERTICAL

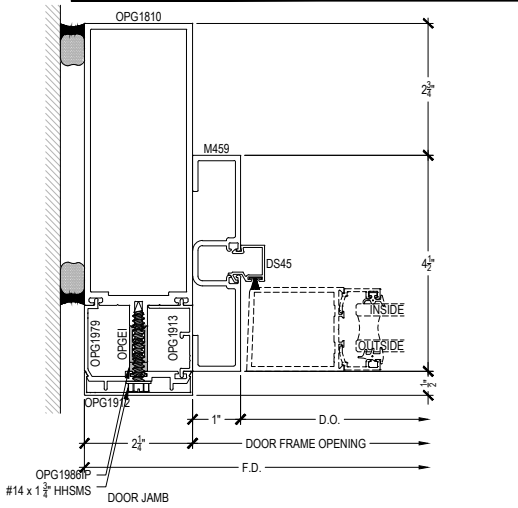


Offset Glazed Side Load Thermal
Optional Projected Cover Caps Available

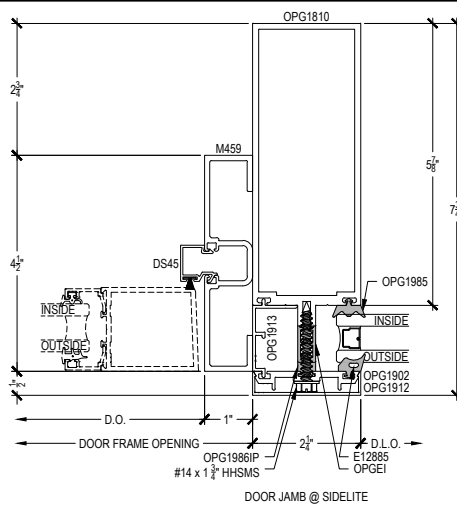
T500 (OPG1900ET) Series

Description: 2 1/4" x 7 3/4" Glazed for 1" & 1-1/8" Glass
Function: Curtain Wall
Detail: Offset Hung Doors
Scale: 3" = 1'-0"

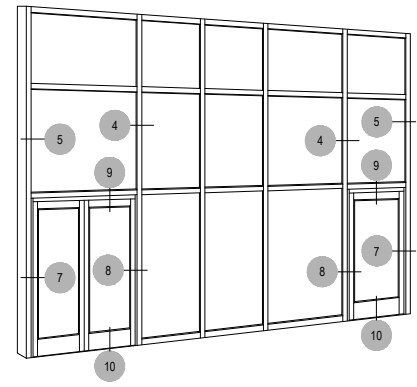
SHEET 5 OF 8



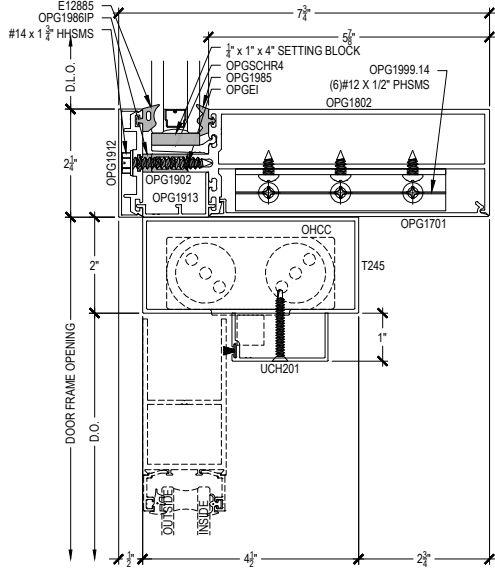
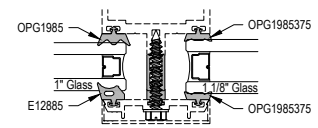
7-1



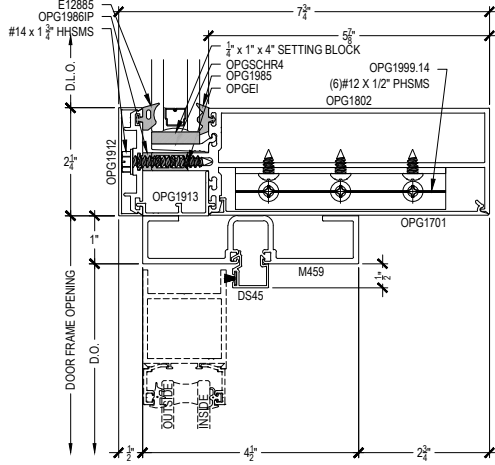
8-1



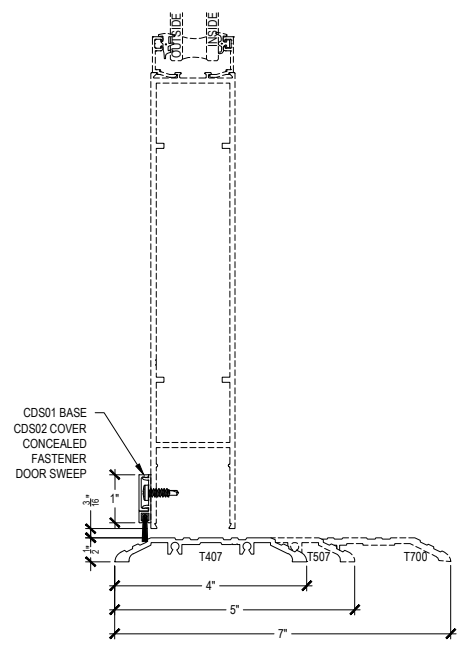
X-X NON-SPANDREL DETAIL X-X SPANDREL DETAIL



9-1



9-2

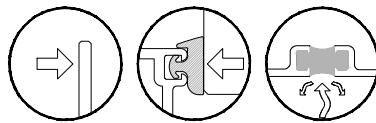
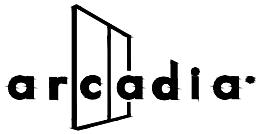


10-1 10-2 10-3

NOTE:
TYPICAL VERTICALS &
HORIZONTALS SHOWN IN
DOOR DETAILS. OPTIONAL
TO CHANGE OUT FOR
PROJECT SPECIFIC NEEDS.

NOTE:
SEE PARTS ID SHEETS FOR "F"
& "T" ANCHOR PARTS

NOTE:
FOR ALL DOOR OPTIONS SEE
THE ENTRANCE SECTION OF
ARCADIA, INC. WEBSITE.

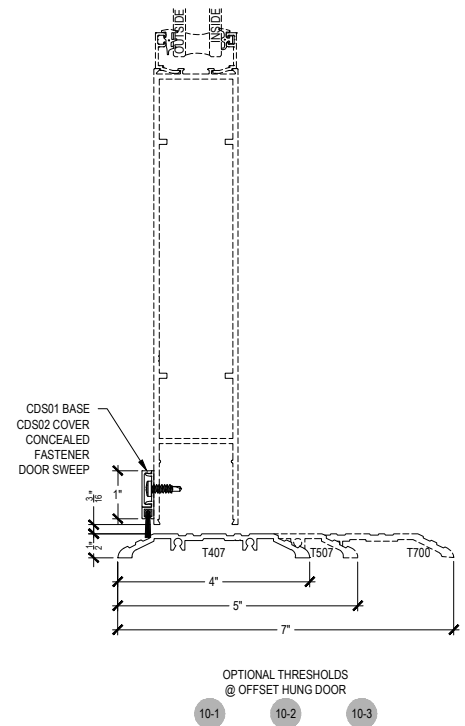
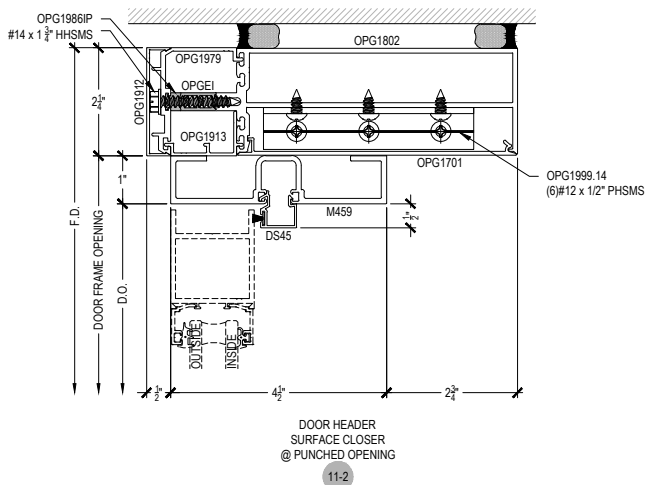
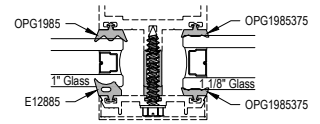
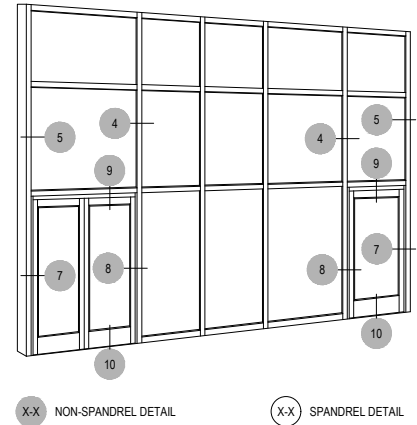
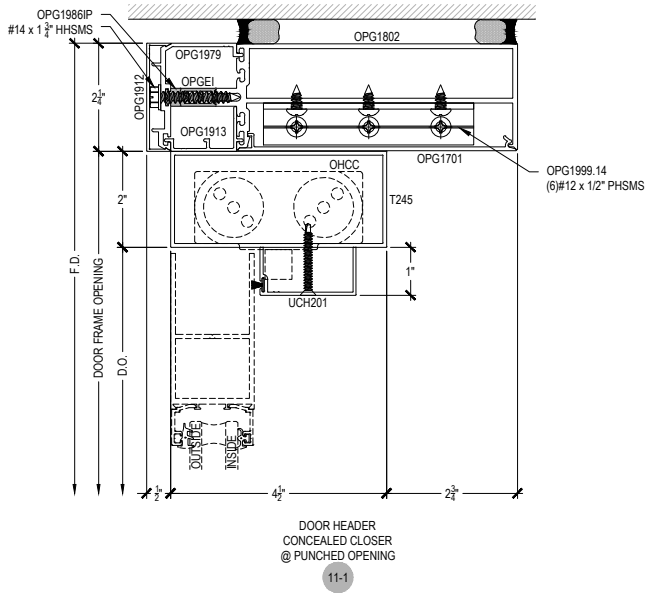


Offset Glazed Side Load Thermal
Optional Projected Cover Caps Available

T500 (OPG1900ET) Series

Description: 2 1/4" x 7 3/4" Glazed for 1" & 1-1/8" Glass
Function: Curtain Wall
Detail: Offset Hung Doors
Scale: 3" = 1'-0"

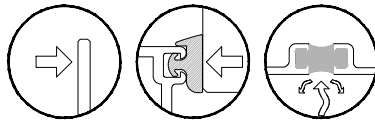
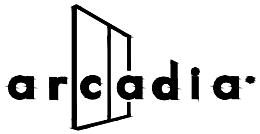
SHEET 6 OF 8



NOTE:
TYPICAL VERTICALS &
HORIZONTALS SHOWN IN
DOOR DETAILS. OPTIONAL
TO CHANGE OUT FOR
PROJECT SPECIFIC NEEDS.

NOTE:
SEE PARTS ID SHEETS FOR "F"
& "T" ANCHOR PARTS
NUMBERS TO EACH VERTICAL.

NOTE:
FOR ALL DOOR OPTIONS SEE
THE ENTRANCE SECTION OF
ARCADIA, INC. WEBSITE.

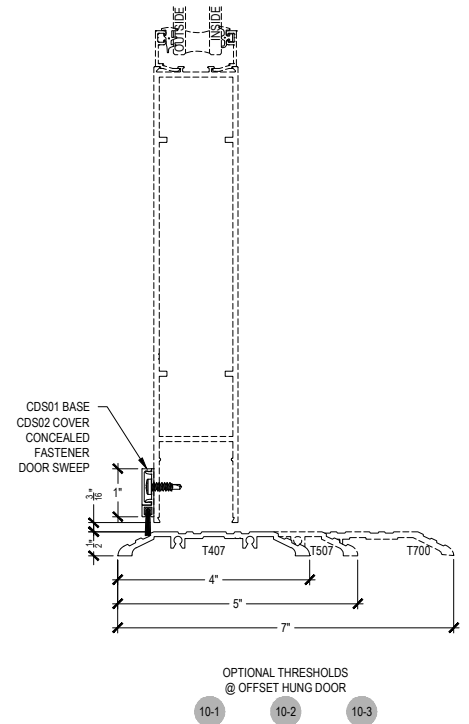
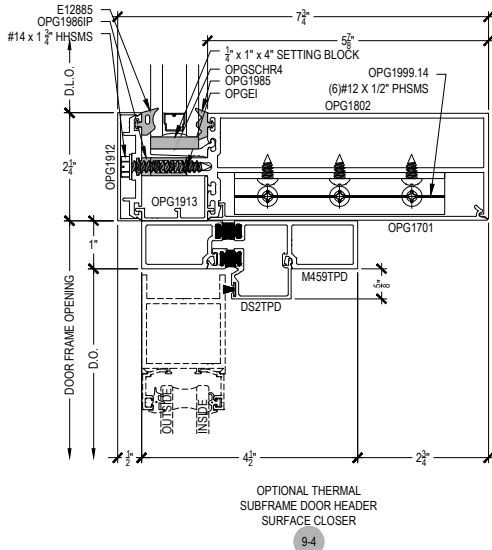
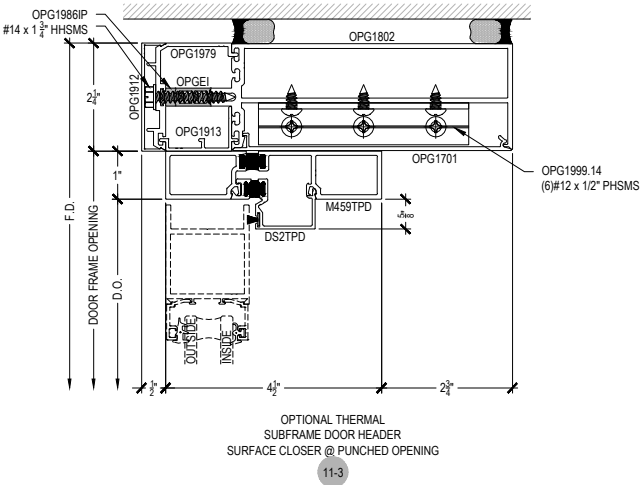
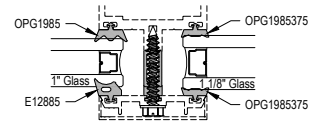
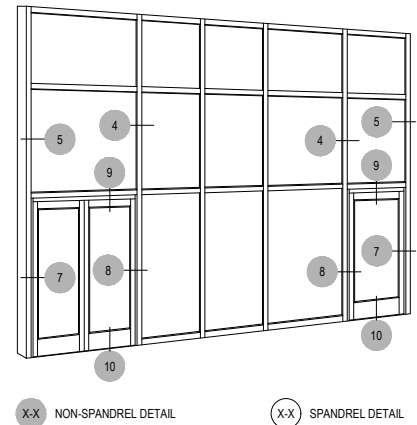
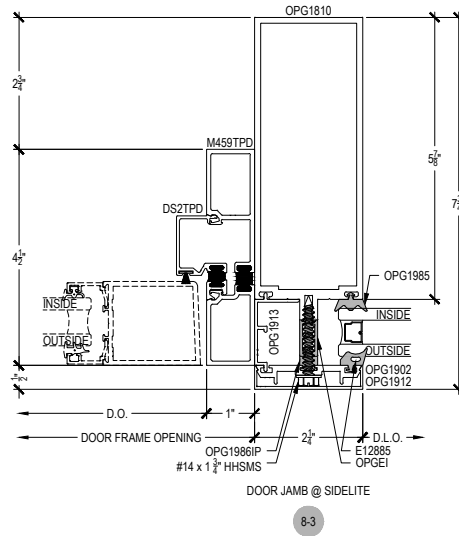
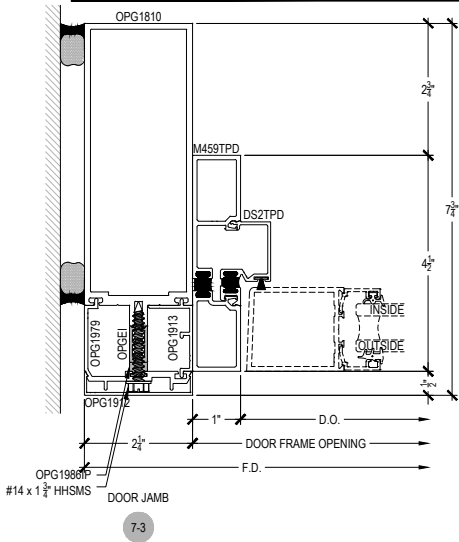


Offset Glazed Side Load Thermal
Optional Projected Cover Caps Available

T500 (OPG1900ET) Series

Description: 2 1/4" x 7 3/4" Glazed for 1" & 1-1/8" Glass
Function: Curtain Wall
Detail: Offset Hung Doors & Options
Scale: 3" = 1'-0"

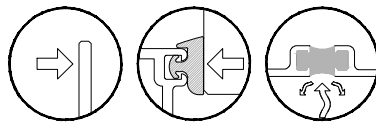
SHEET 7 OF 8



NOTE:
TYPICAL VERTICALS &
HORIZONTALS SHOWN IN
DOOR DETAILS. OPTIONAL
TO CHANGE OUT FOR
PROJECT SPECIFIC NEEDS.

NOTE:
SEE PARTS ID SHEETS FOR "F"
& "T" ANCHOR PARTS

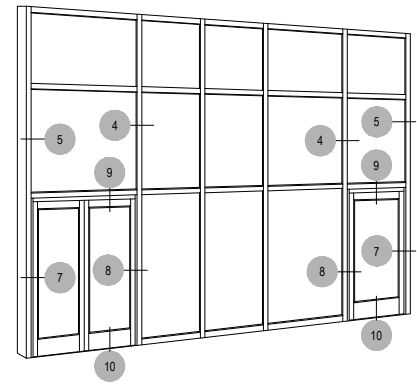
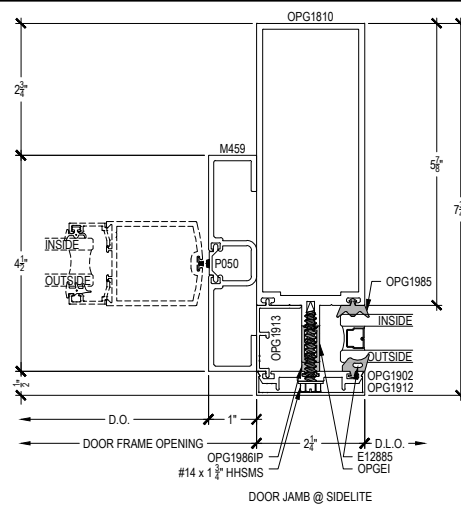
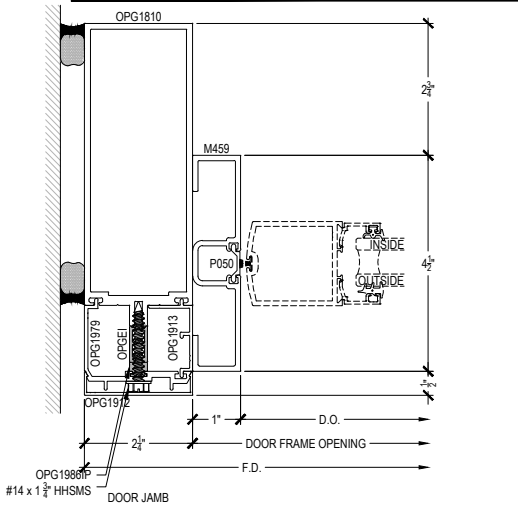
NOTE:
FOR ALL DOOR OPTIONS SEE
THE ENTRANCE SECTION OF
ARCADIA, INC. WEBSITE.



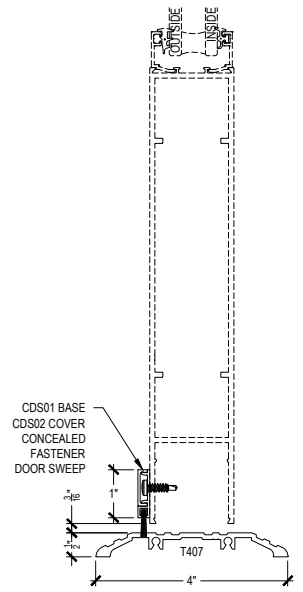
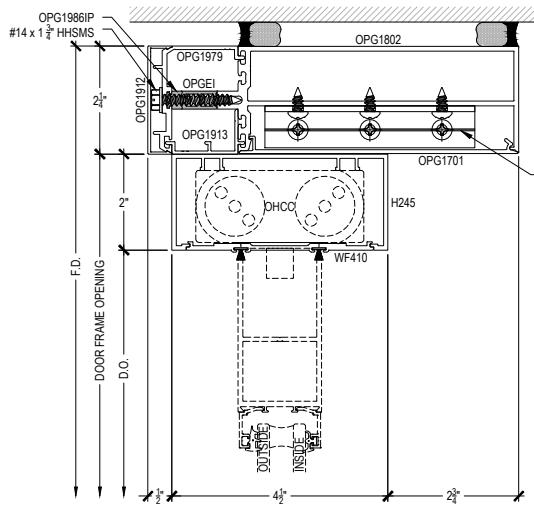
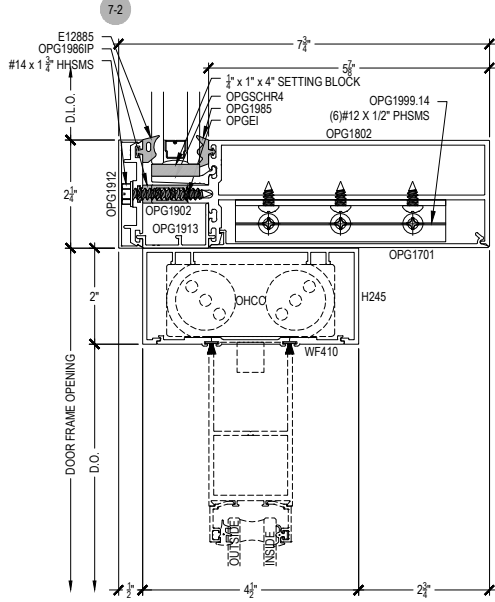
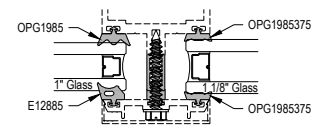
Offset Glazed Side Load Thermal
Optional Projected Cover Caps Available

T500 (OPG1900ET) Series

Description: 2 1/4" x 7 3/4" Glazed for 1" & 1-1/8" Glass
Function: Curtain Wall
Detail: Center Hung Doors
Scale: 3" = 1'-0"



X-X NON-SPANDREL DETAIL X-X SPANDREL DETAIL



NOTE:
TYPICAL VERTICALS &
HORIZONTALS SHOWN IN
DOOR DETAILS. OPTIONAL
TO CHANGE OUT FOR
PROJECT SPECIFIC NEEDS.

NOTE:
SEE PARTS ID SHEETS FOR "F"
& "T" ANCHOR PARTS.

NOTE:
FOR ALL DOOR OPTIONS SEE
THE ENTRANCE SECTION OF
ARCADIA, INC. WEBSITE.