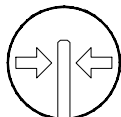
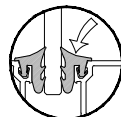




Acoustic



Center Glass



Top Load

AG451 STC Series

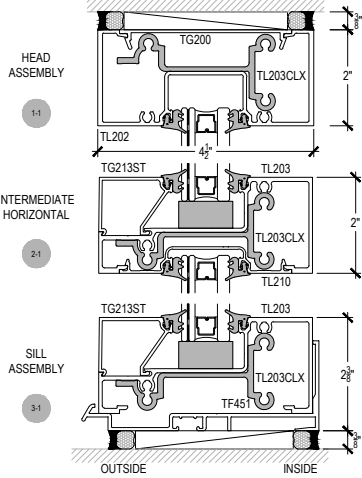
Description: 2" x 4 1/2" Center Glazed for 1" Glass

Function: Storefront

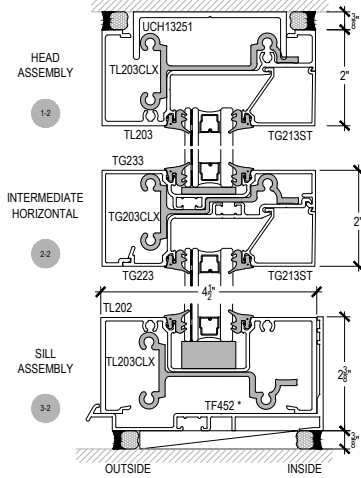
Detail: Horizontals

Scale: 3" = 1'-0"

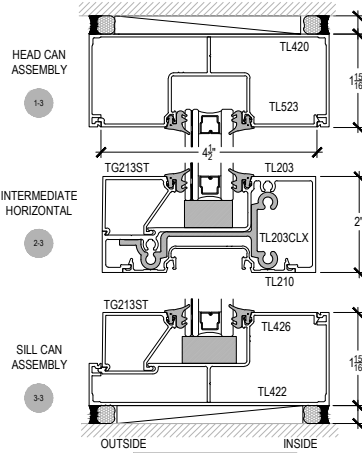
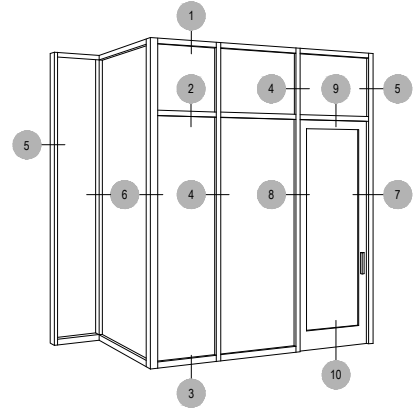
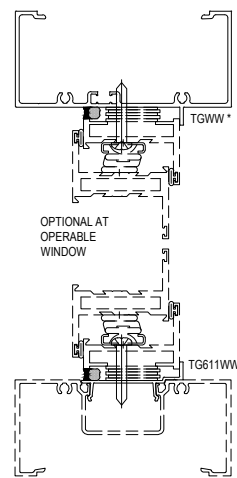
SHEET 1 OF 3



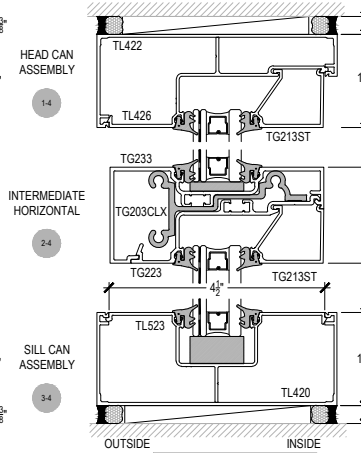
SHEAR BLOCK
OUTSIDE SET



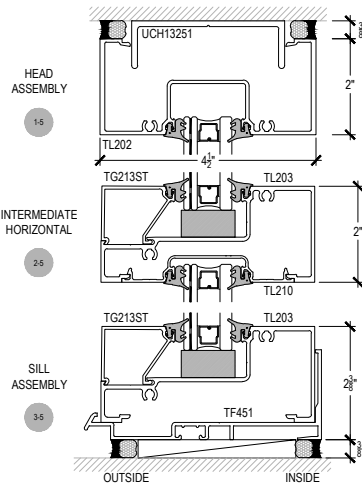
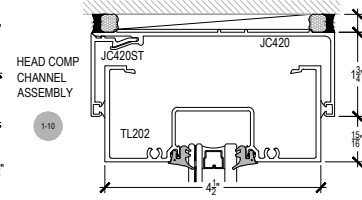
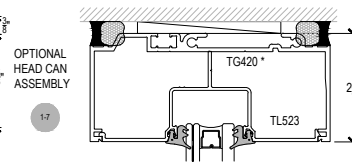
SHEAR BLOCK
INSIDE SET



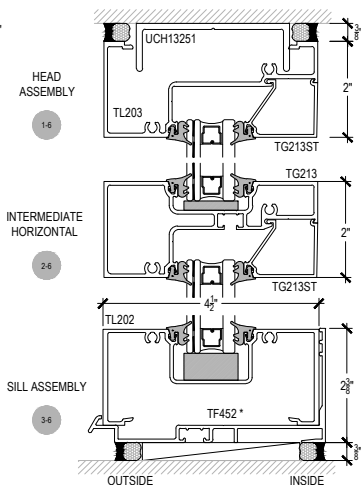
COMPENSATING STICK
OUTSIDE SET



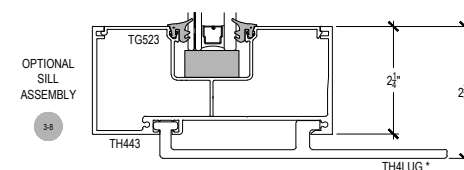
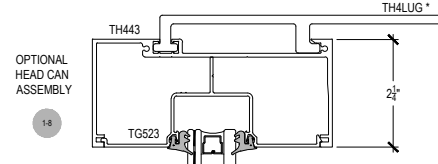
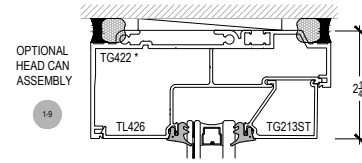
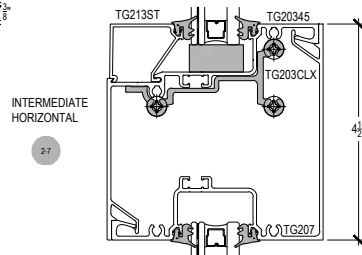
COMPENSATING STICK
INSIDE SET

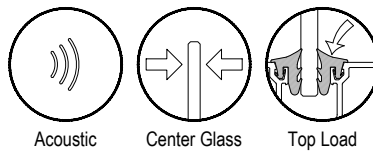


SCREW SPLINE
OUTSIDE SET



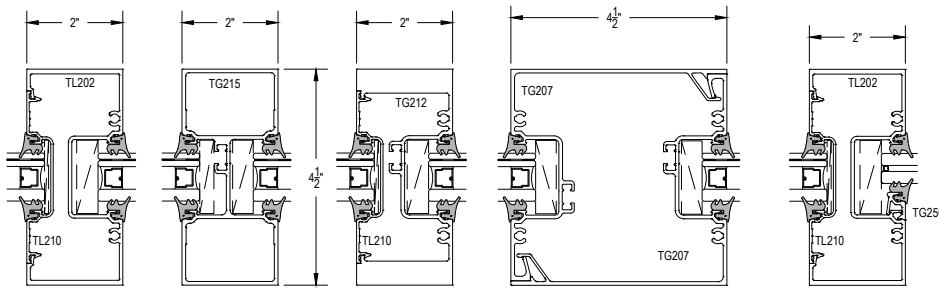
SCREW SPLINE
INSIDE SET



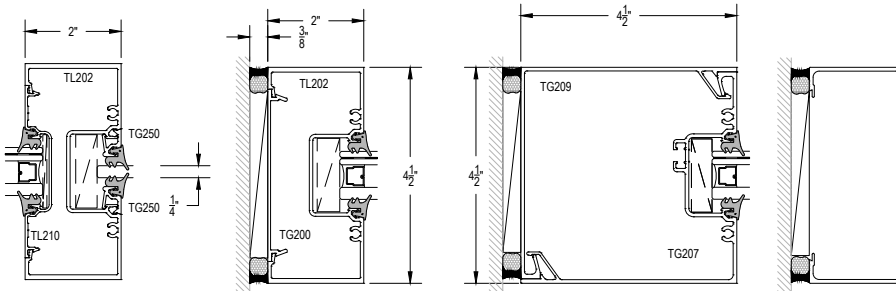
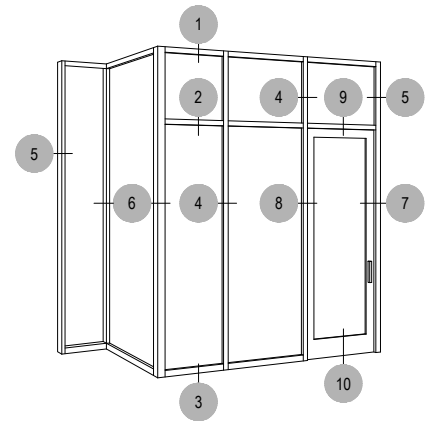


AG451 STC Series

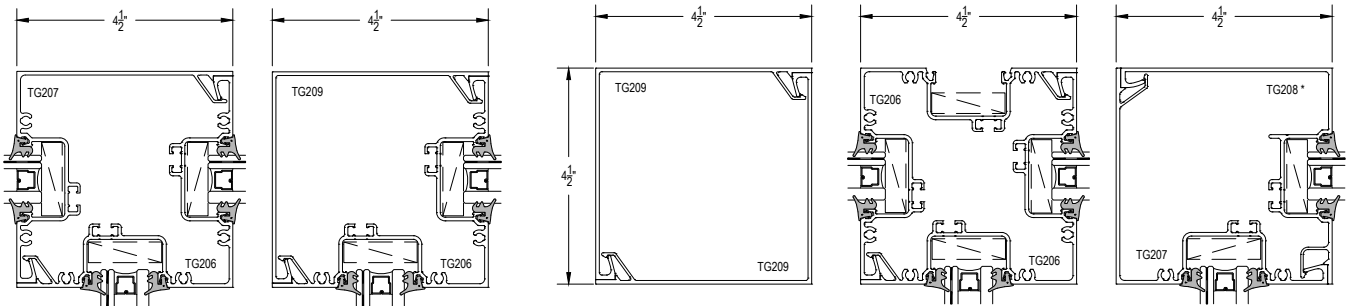
Description: 2" x 4 1/2" Center Glazed for 1" Glass
 Function: Storefront
 Detail: Verticals
 Scale: 3" = 1'-0"



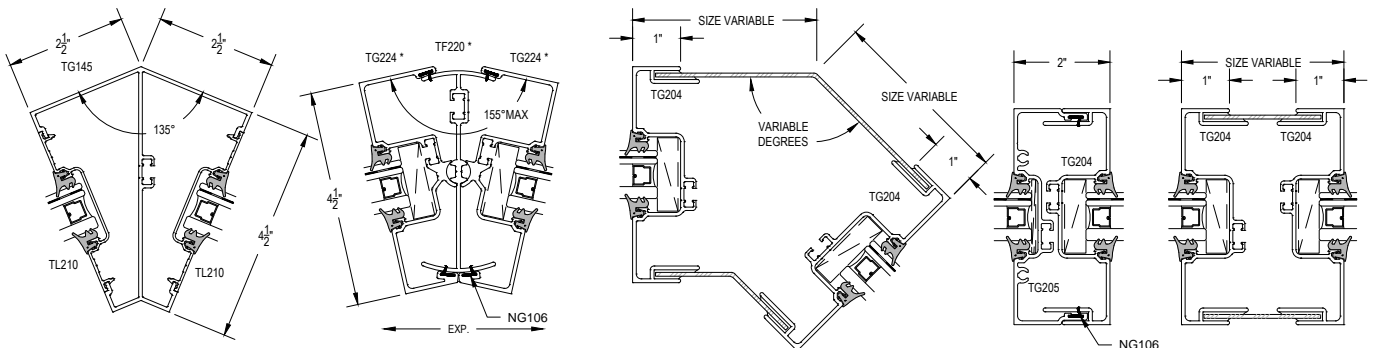
4-1 INTERMEDIATE VERTICAL
 4-2 INTERMEDIATE VERTICAL
 4-3 INTERMEDIATE VERTICAL
 4-4 4 1/2" VERTICAL ASSEMBLY
 4-5 INTERMEDIATE VERTICAL w/ADAPTOR AND GLASS OPTION



4-6 INTERMEDIATE VERTICAL w/ADAPTOR AND GLASS OPTION
 5-1 WALL JAMB
 5-2 WALL JAMB ASSEMBLY
 5-3 DJ201 Open Back Jamb



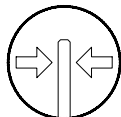
6-1 SPECIAL ASSEMBLY
 6-2 90° CORNER ASSEMBLY
 6-3 4 1/2" TUBE ASSEMBLY
 6-4 SPECIAL ASSEMBLY
 6-5 90° CORNER SCREW RACE ASSEMBLY



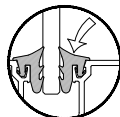
6-6 135° CORNER ASSEMBLY
 6-7 180-155° FLEXIBLE CORNER ASSEMBLY
 6-8 FLEXIBLE CORNER ASSEMBLY
 4-7 EXPANSION VERTICAL ASSEMBLY
 4-8 VARIABLE VERTICAL ASSEMBLY



Acoustic



Center Glass



Top Load

AG451 STC Series

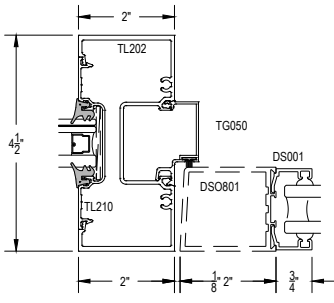
Description: 2" x 4 1/2" Center Glazed for 1" Glass

Function: Storefront

Detail: Doors

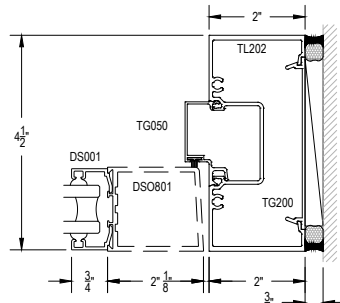
Scale: 3" = 1'-0"

SHEET 3 OF 3



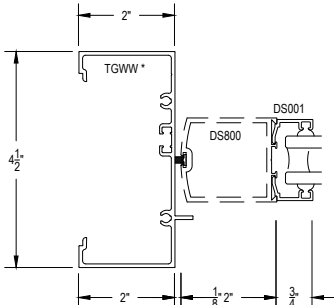
DOOR JAMB @OFFSET HUNG

7-1



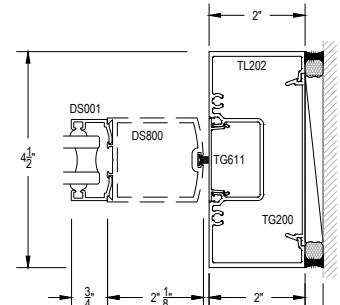
DOOR JAMB @OFFSET HUNG

7-2



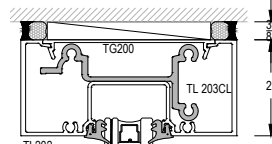
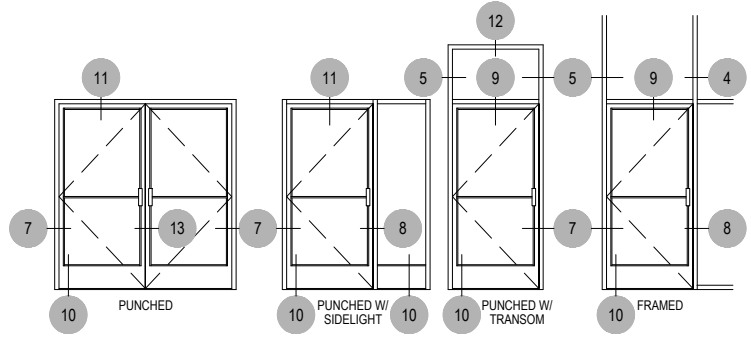
DOOR JAMB @CENTER HUNG

7-3



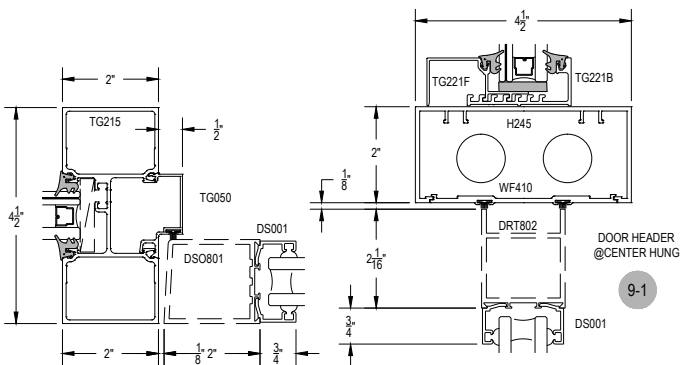
DOOR JAMB @CENTER HUNG

7-4



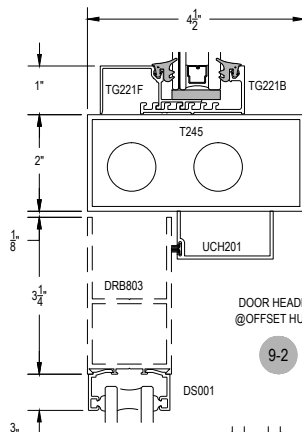
HEAD @TRANSOM PUNCHED

12-1



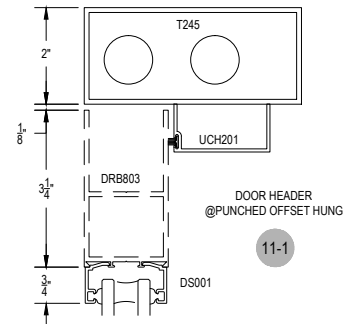
DOOR JAMB @OFFSET HUNG

8-1



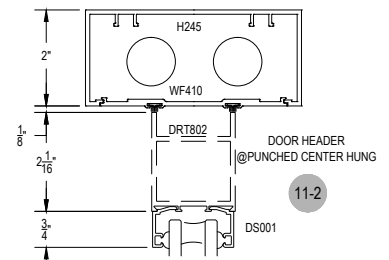
DOOR HEADER @CENTER HUNG

9-1



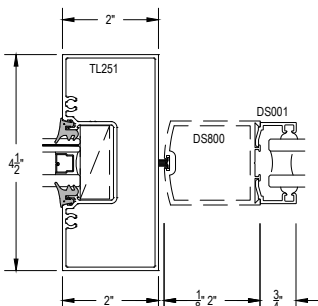
DOOR HEADER @PUNCHED OFFSET HUNG

11-1



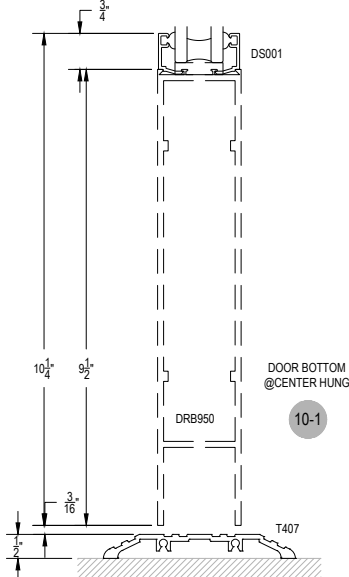
DOOR HEADER @PUNCHED CENTER HUNG

11-2



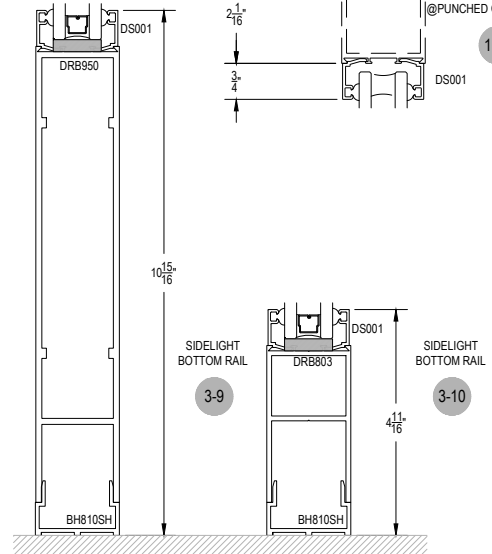
DOOR JAMB @CENTER HUNG

8-2



DOOR BOTTOM @CENTER HUNG

10-1



SIDELIGHT BOTTOM RAIL

3-9

SIDELIGHT BOTTOM RAIL

3-10