



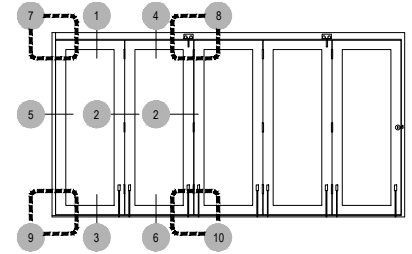
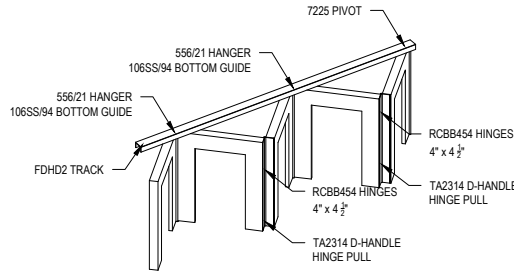
Max SqFt: 32 w/ 1" Insulated Glazing
 Max. Door Weight: 275 lbs.
 Max. Panel Width & Height: 36" x 11'-0"
 Max. Panel Width & Height: 48" x 8'-0"
 Door Thickness: 1 3/4"

8000 Series

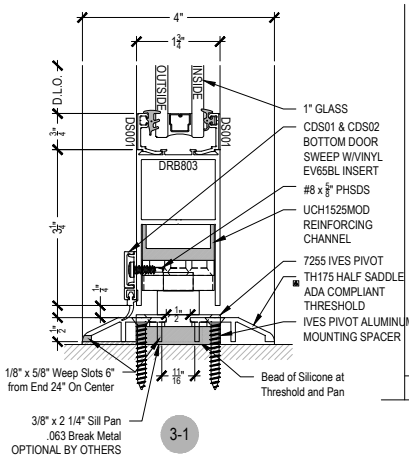
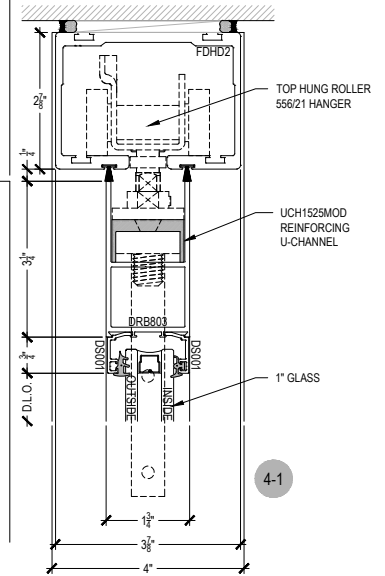
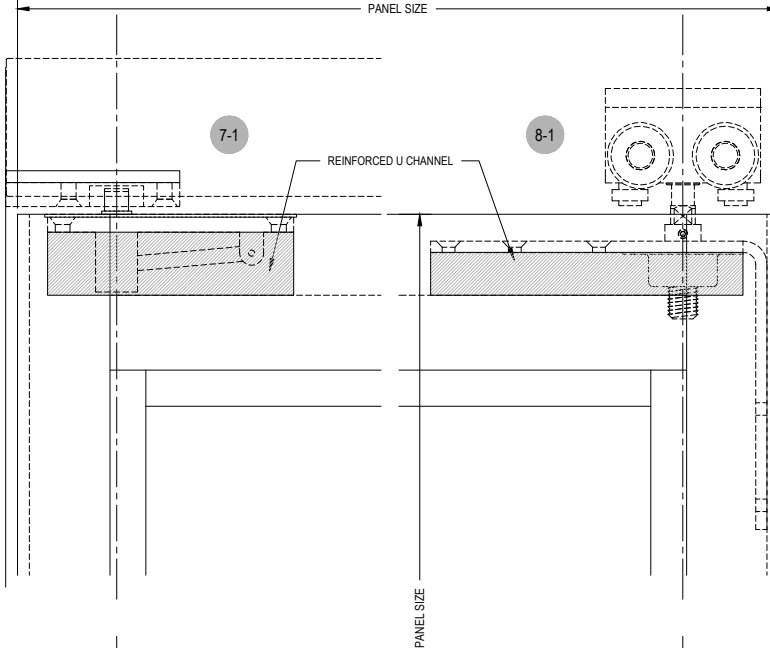
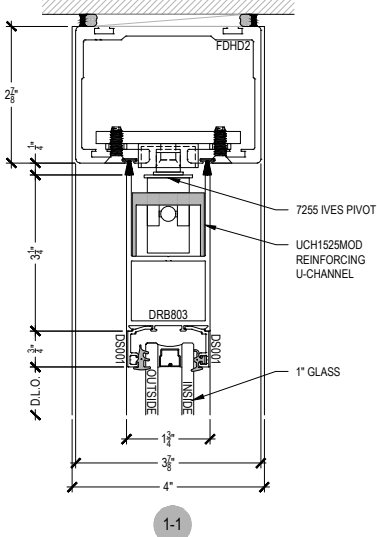
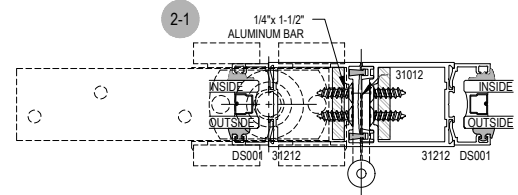
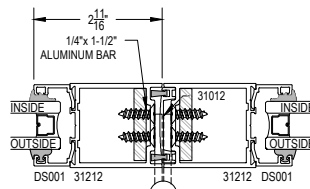
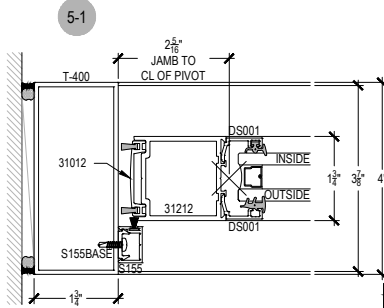
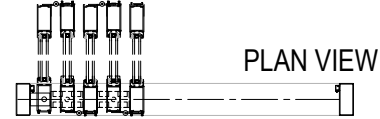
Description: Center Top Hung / Bi Folding
 Function: Entrance
 Detail: Narrow Stile
 Scale: 3" = 1'-0"

SHEET 1 OF 5

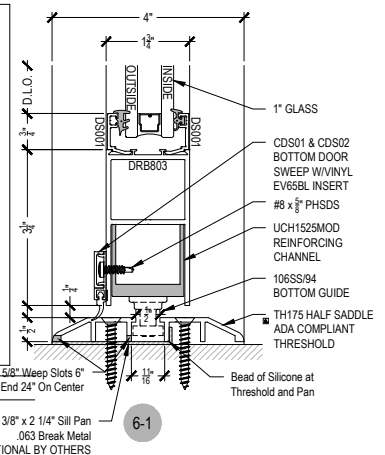
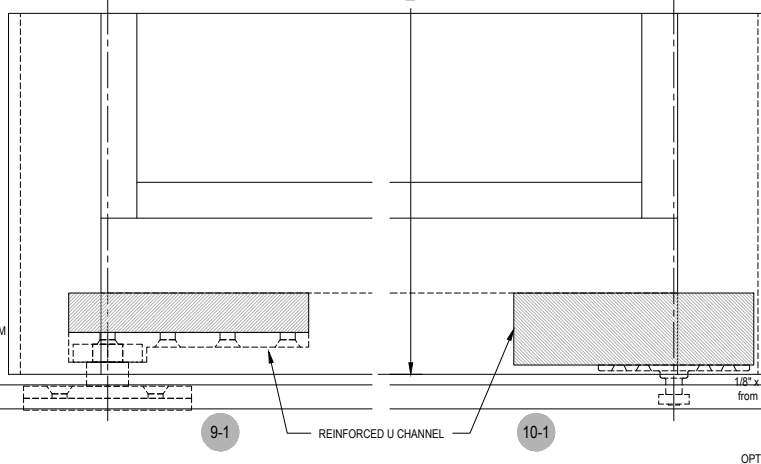
ELEVATION VIEW



PLAN VIEW



1/8" x 5/8" Weep Slots 6" from End 24" On Center
 3/8" x 2 1/4" Sill Pan
 .063 Break Metal
 OPTIONAL BY OTHERS



1/8" x 5/8" Weep Slots 6" from End 24" On Center
 3/8" x 2 1/4" Sill Pan
 .063 Break Metal
 OPTIONAL BY OTHERS

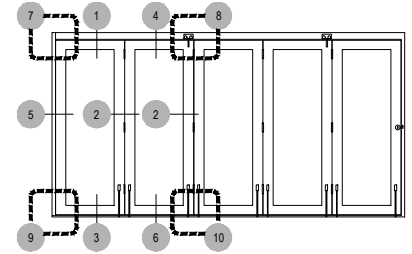
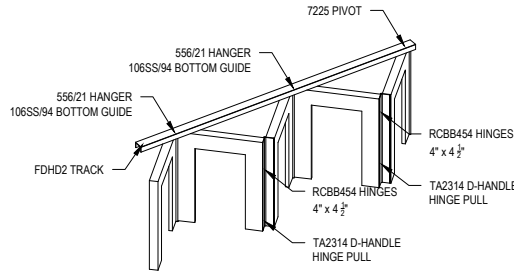


Max SqFt: 32 w/ 1" Insulated Glazing
 Max. Door Weight: 275 lbs.
 Max. Panel Width & Height: 36" x 11'-0"
 Max. Panel Width & Height: 48" x 8'-0"
 Door Thickness: 1 3/4"

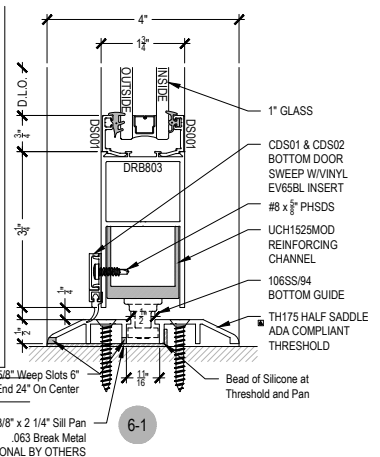
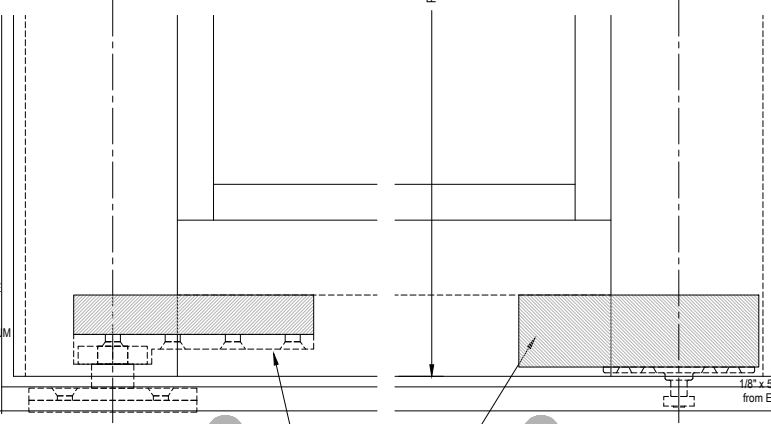
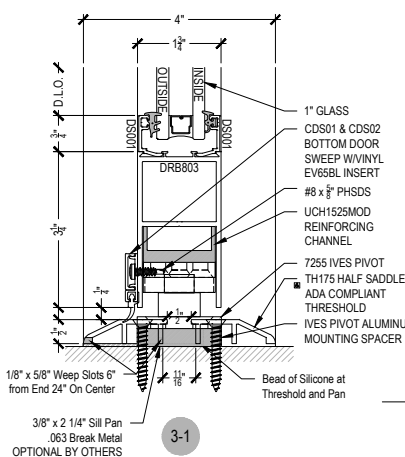
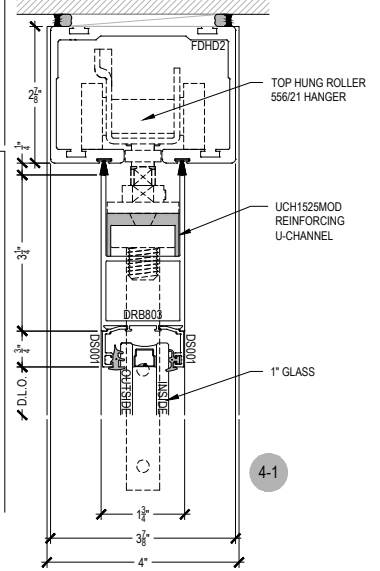
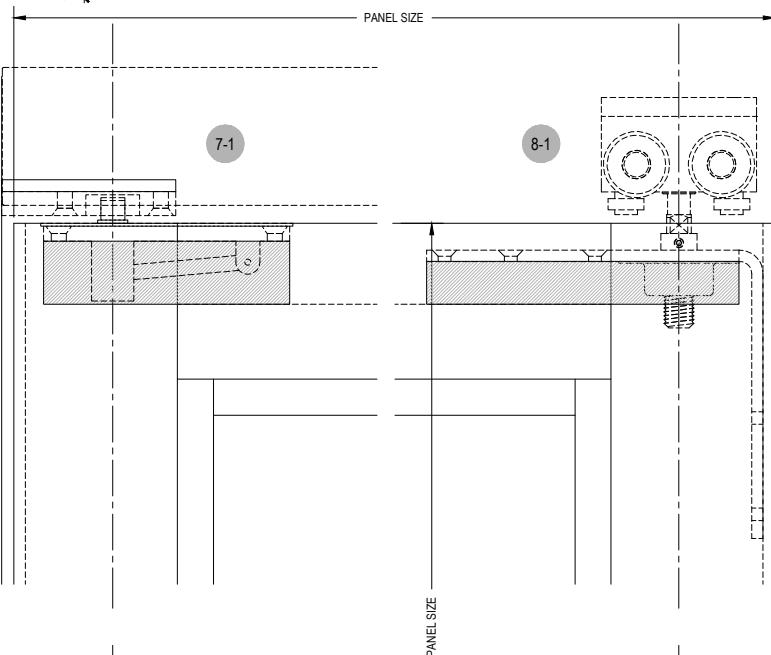
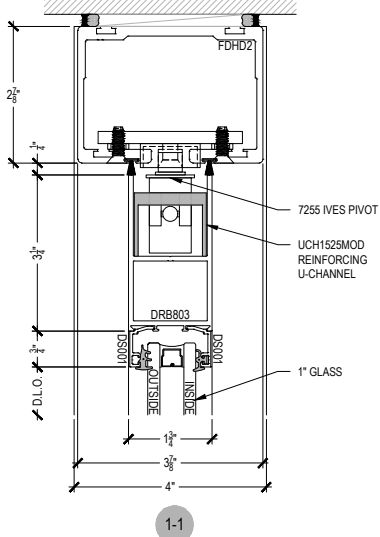
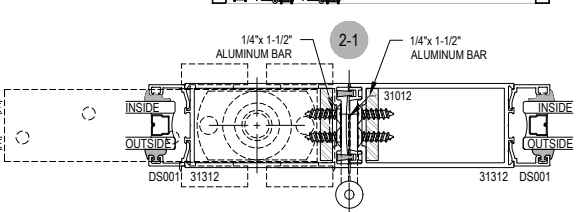
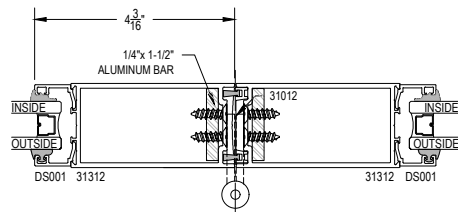
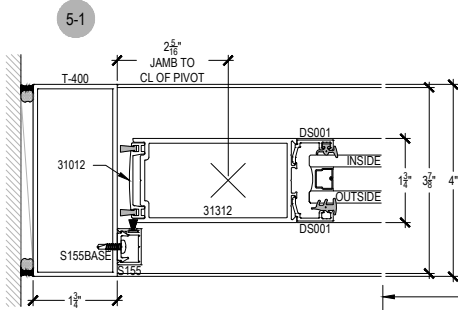
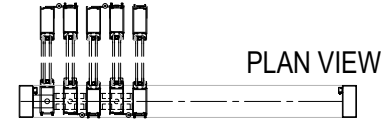
8000 Series

Description: Center Top Hung / Bi Folding
 Function: Entrance
 Detail: Medium Style
 Scale: 3" = 1'-0"

ELEVATION VIEW



PLAN VIEW





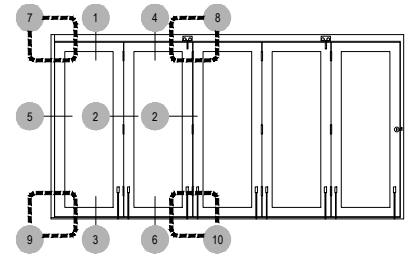
Max SqFt: 32 w/ 1" Insulated Glazing
 Max. Door Weight: 275 lbs.
 Max. Panel Width & Height: 36" x 11'-0"
 Max. Panel Width & Height: 48" x 8'-0"
 Door Thickness: 1 3/4"

8000 Series

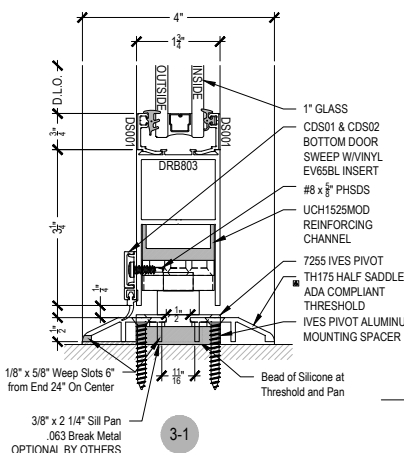
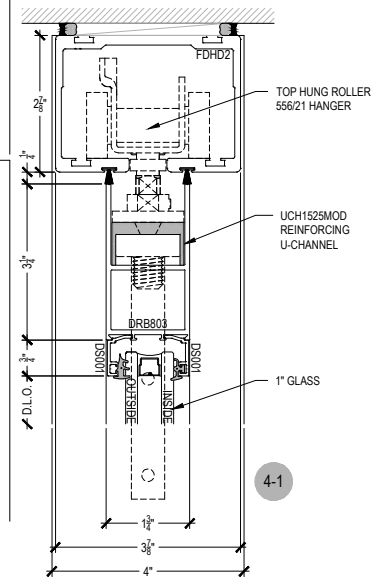
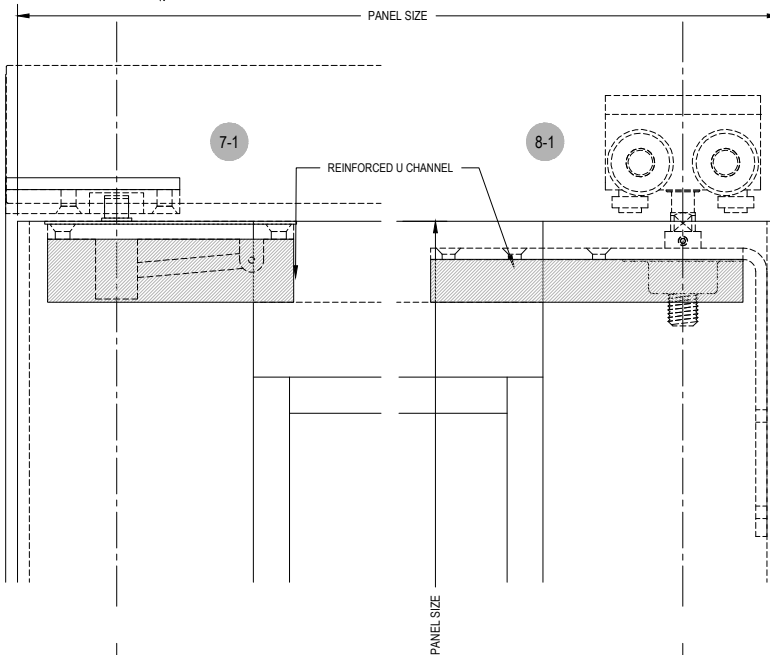
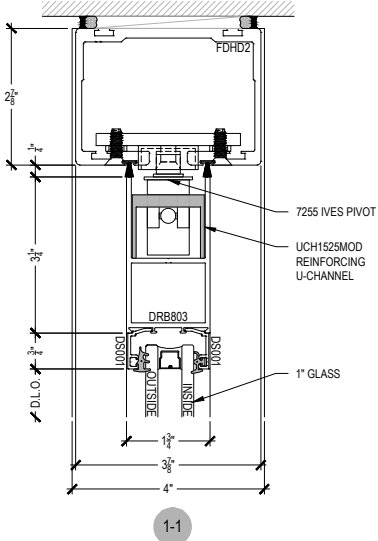
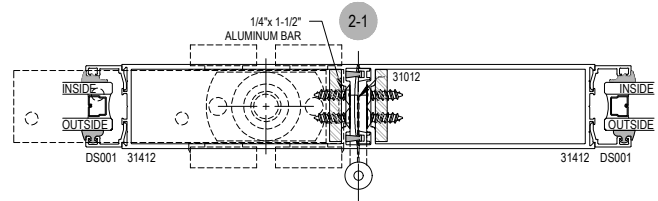
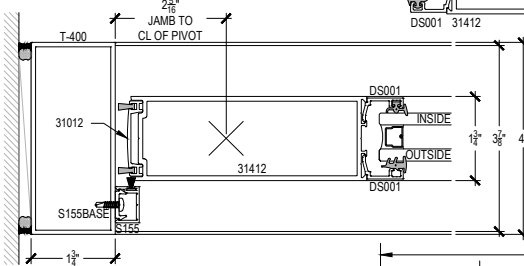
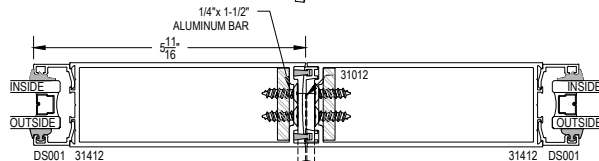
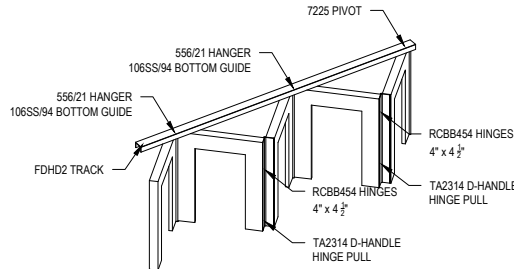
Description: Center Top Hung / Bi Folding
 Function: Entrance
 Detail: Wide Stile
 Scale: 3" = 1'-0"

SHEET 3 OF 5

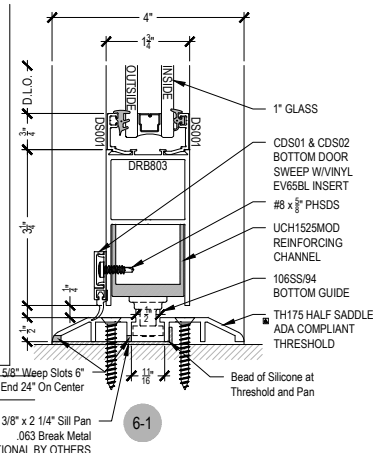
ELEVATION VIEW



PLAN VIEW



1/8\" x 5/8\" Weep Slots 6\" from End 24\" On Center
 3/8\" x 2 1/4\" Sill Pan
 .063 Break Metal
 OPTIONAL BY OTHERS



1/8\" x 5/8\" Weep Slots 6\" from End 24\" On Center
 3/8\" x 2 1/4\" Sill Pan
 .063 Break Metal
 OPTIONAL BY OTHERS

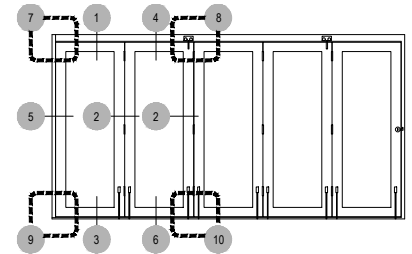
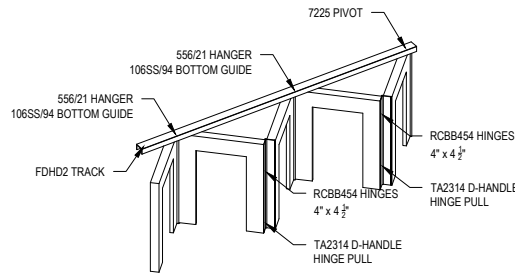


Max SqFt: 32 w/ 1" Insulated Glazing
 Max. Door Weight: 275 lbs.
 Max. Panel Width & Height: 36" x 11'-0"
 Max. Panel Width & Height: 48" x 8'-0"
 Door Thickness: 1 3/4"

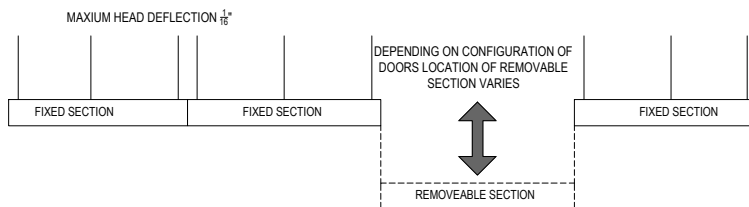
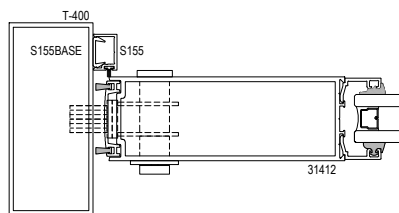
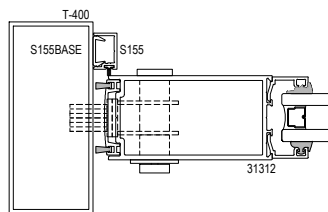
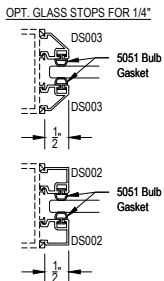
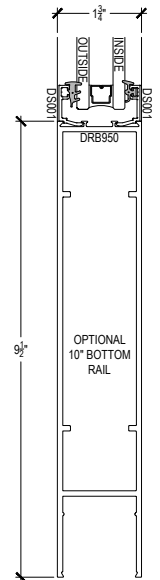
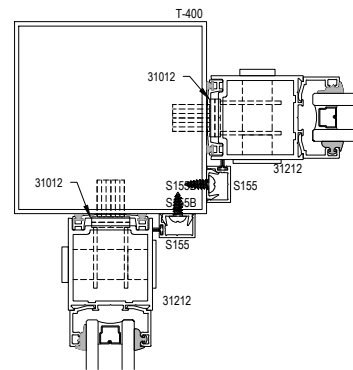
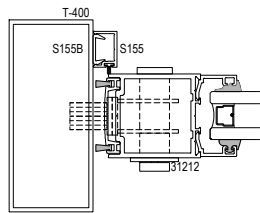
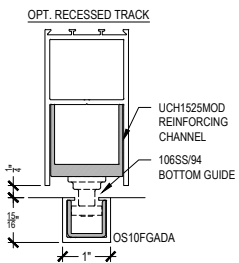
8000 Series

Description: Center Top Hung / Bi Folding
 Function: Entrance
 Detail: Options / Lock Sets
 Scale: 3" = 1'-0"

ELEVATION VIEW



42" A.F.F. TO CENTER OF PUSH/PULL
 34" TO CENTER OF LOCKSET





Max SqFt: 32 w/ 1" Insulated Glazing
 Max. Door Weight: 275 lbs.
 Max. Panel Width & Height: 36" x 11'-0"
 Max. Panel Width & Height: 48" x 8'-0"
 Door Thickness: 1 3/4"

8000 Series

Description: Center Top Hung / Bi Folding
 Function: Entrance
 Detail: Optional Sill
 Scale: 3" = 1'-0"

