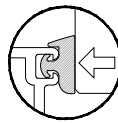


Offset Glazed



Side Load

T500 FACET WALL SERIES 13 1/4"

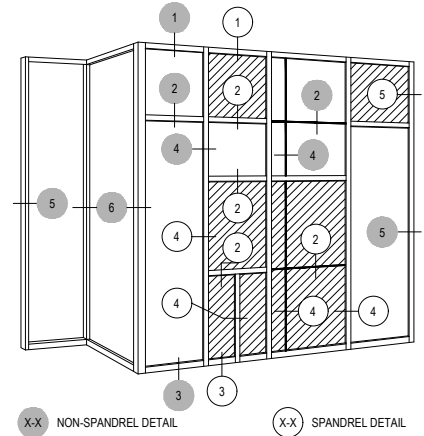
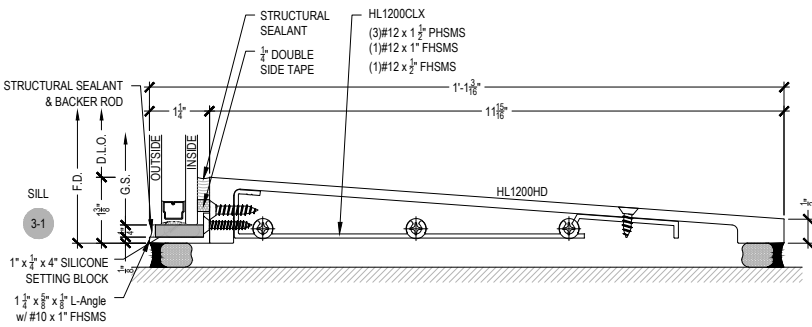
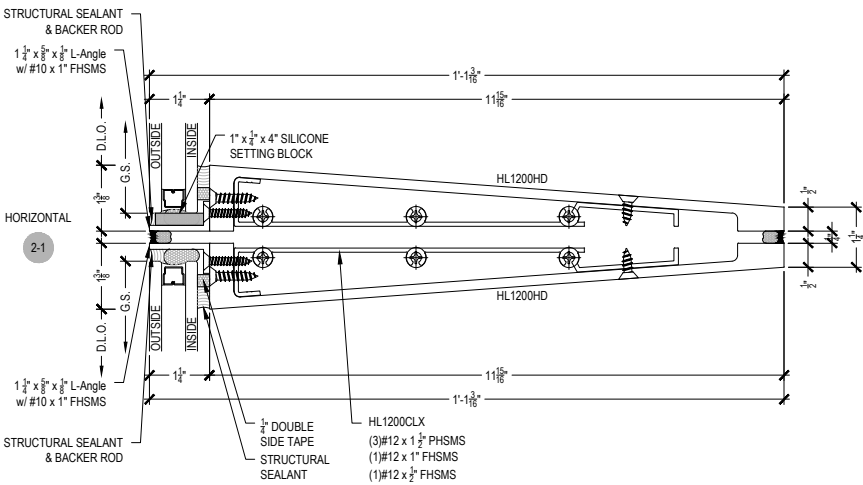
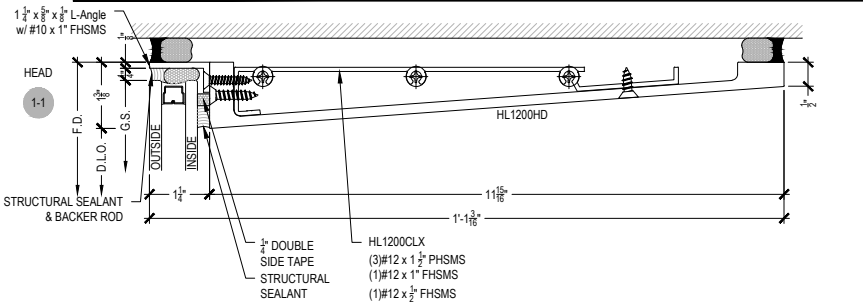
Description: 2 1/4" x 13 1/4" Glazed for 1" Glass

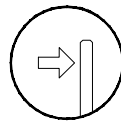
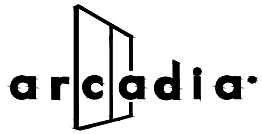
Function: Curtain Wall

Detail: Heads, Horizontals, Sills

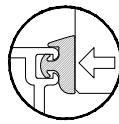
Scale: 3" = 1'-0"

SHEET 1 OF 7





Offset Glazed



Side Load

T500 FACET WALL SERIES 13 1/4"

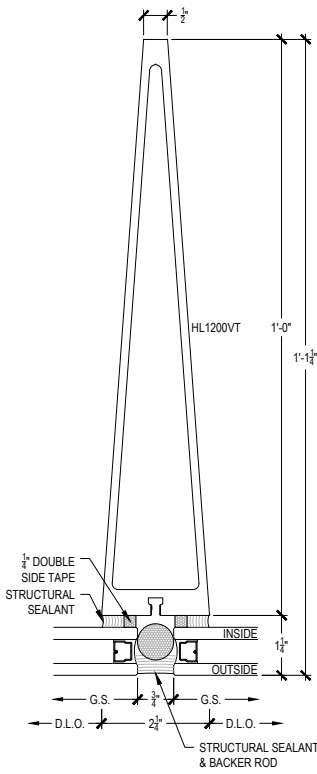
Description: 2 1/4" x 13 1/4" Glazed for 1" Glass

Function: Curtain Wall

Detail: Verticals, Jamb

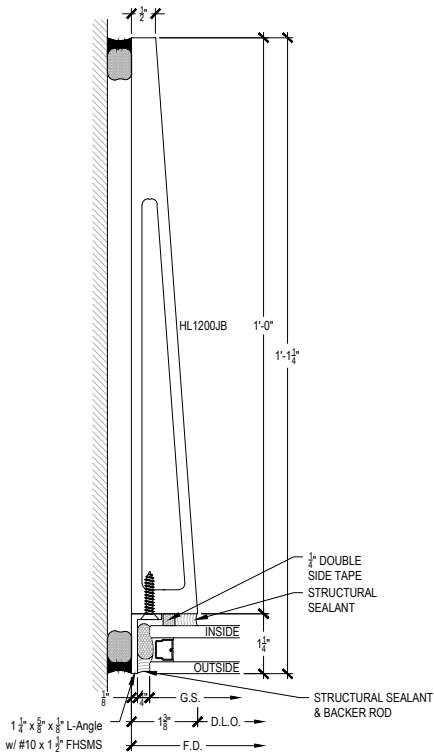
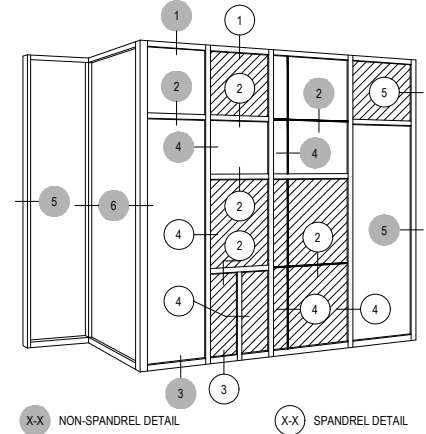
Scale: 3" = 1'-0"

SHEET 2 OF 7



SSG VERTICAL

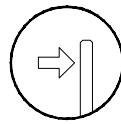
4-1



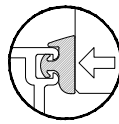
JAMB

5-1

NOTE:
SEE PARTS ID SHEETS FOR "F"
& "T" ANCHOR PARTS
NUMBERS TO EACH VERTICAL



Offset Glazed



Side Load

T500 FACET WALL SERIES 13 1/4"

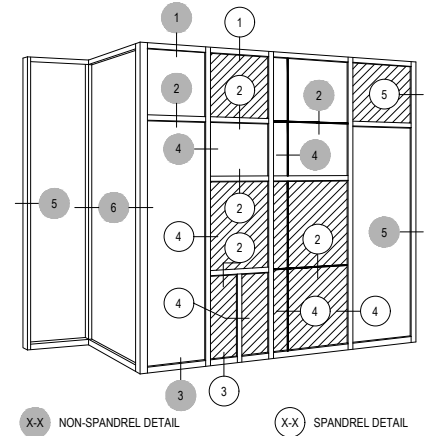
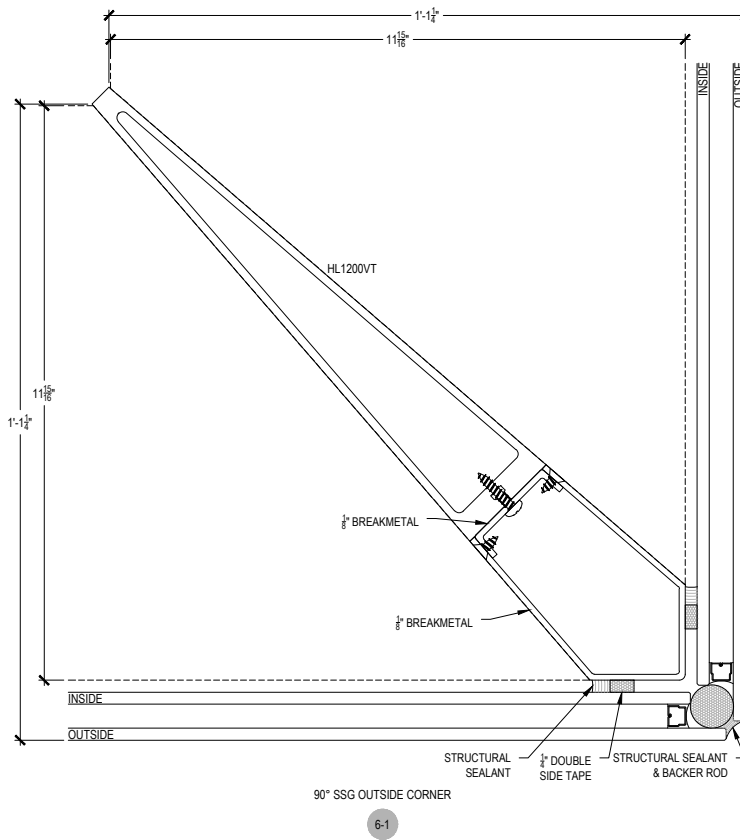
Description: 2 1/4" x 13 1/4" Glazed for 1" Glass

Function: Curtain Wall

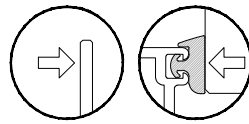
Detail: Corners

Scale: 3" = 1'-0"

SHEET 3 OF 7



NOTE:
SEE PARTS ID SHEETS FOR "F"
& "T" ANCHOR PARTS
NUMBERS TO EACH VERTICAL



Offset Glazed

Side Load

T500 FACET WALL SERIES 13 1/4"

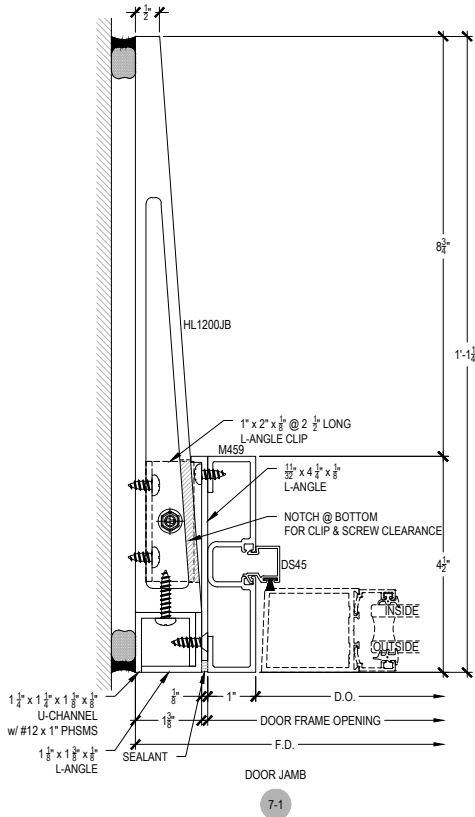
Description: 2 1/4" x 13 1/4" Glazed for 1" Glass

Function: Curtain Wall

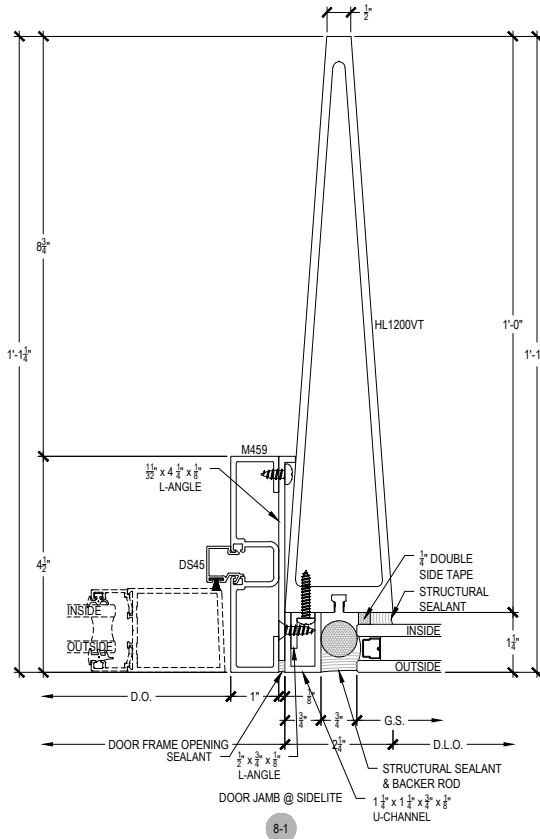
Detail: Offset Hung Doors

Scale: 3" = 1'-0"

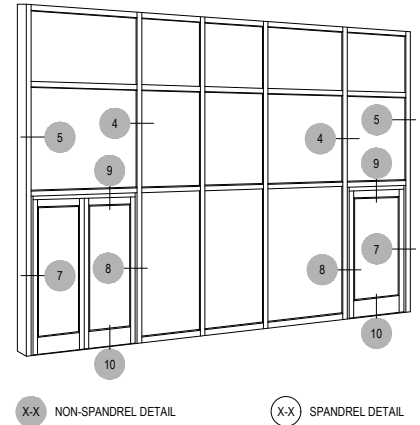
SHEET 4 OF 7



7-1

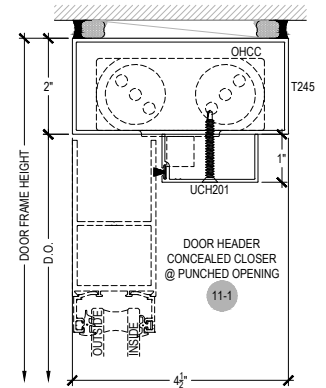


8-1

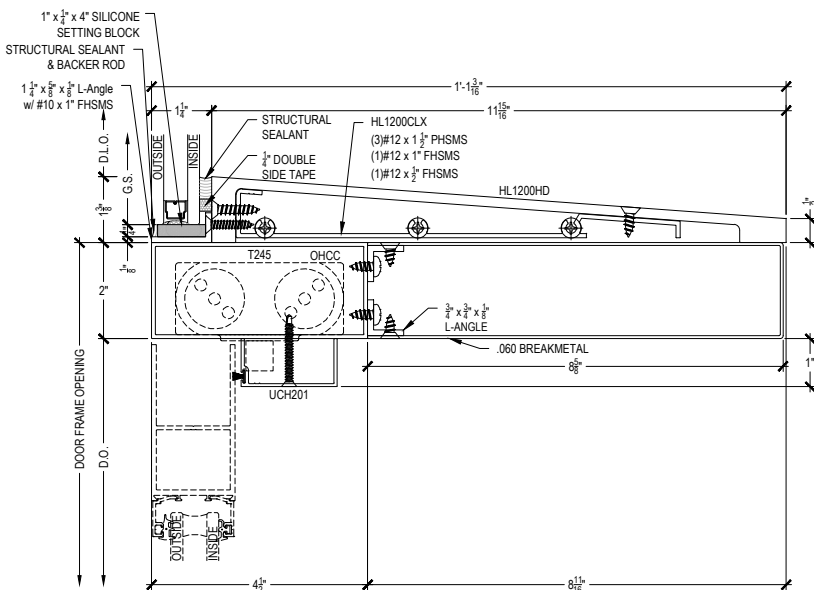


X-X NON-SPANDEL DETAIL

X-X SPANDEL DETAIL

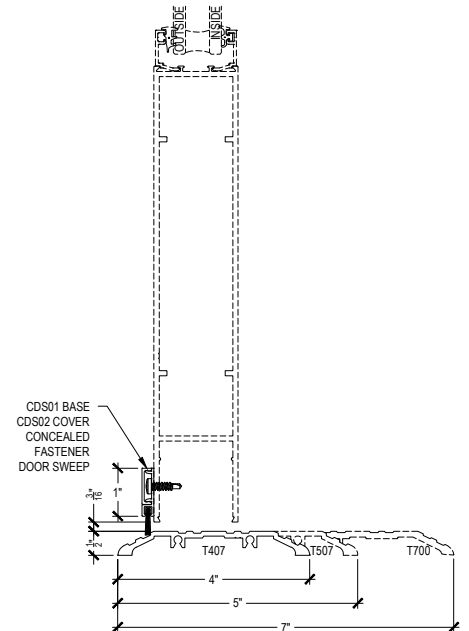


11-1



DOOR HEADER
CONCEALED CLOSER

9-1



OPTIONAL THRESHOLDS
@ OFFSET HUNG DOOR

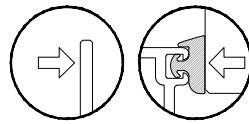
10-1

10-2

10-3

NOTE:
SEE PARTS ID SHEETS FOR "F"
& "T" ANCHOR PARTS
NUMBERS TO EACH VERTICAL.

NOTE:
FOR ALL DOOR OPTIONS SEE
THE ENTRANCE SECTION OF
ARCADIA, INC. WEBSITE.



Offset Glazed

Side Load

T500 FACET WALL SERIES 13 1/4"

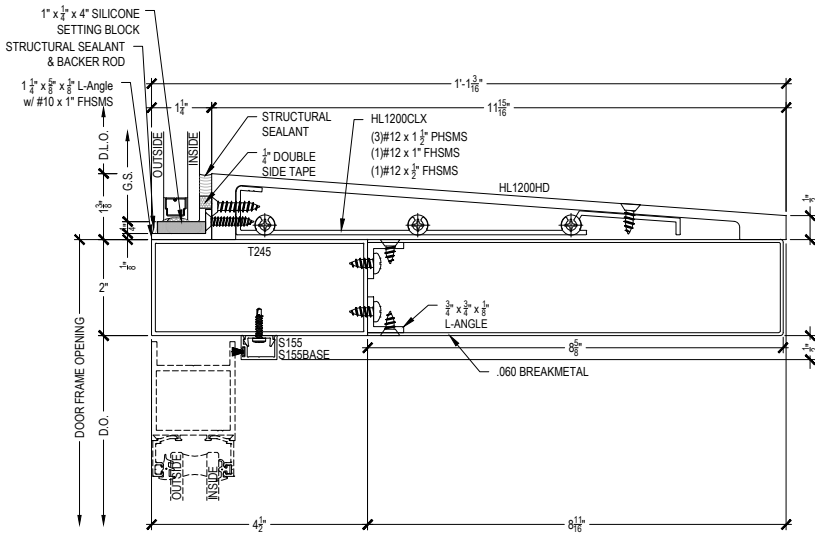
Description: 2 1/4" x 13 1/4" Glazed for 1" Glass

Function: Curtain Wall

Detail: Offset Hung Doors

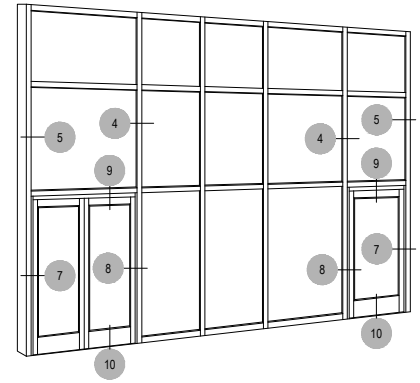
Scale: 3" = 1'-0"

SHEET 5 OF 7



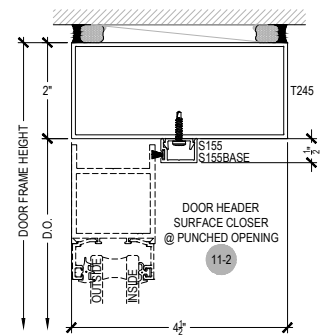
DOOR HEADER
SURFACE CLOSER

9-2



X-X NON-SPANDREL DETAIL

X-X SPANDREL DETAIL



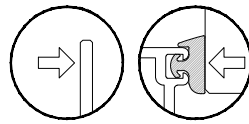
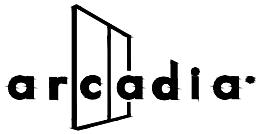
DOOR FRAME HEIGHT
D.O.

DOOR HEADER
SURFACE CLOSER
@ PUNCHED OPENING

11-2

NOTE:
SEE PARTS ID SHEETS FOR "F"
& "T" ANCHOR PARTS
NUMBERS TO EACH VERTICAL.

NOTE:
FOR ALL DOOR OPTIONS SEE
THE ENTRANCE SECTION OF
ARCADIA, INC. WEBSITE.



Offset Glazed

Side Load

T500 FACET WALL SERIES 13 1/4"

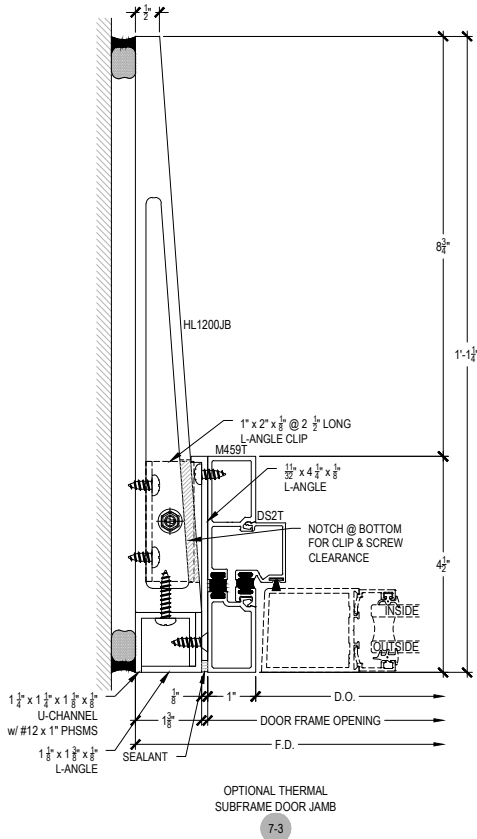
Description: 2 1/4" x 13 1/4" Glazed for 1" Glass

Function: Curtain Wall

Detail: Offset Hung Doors & Options

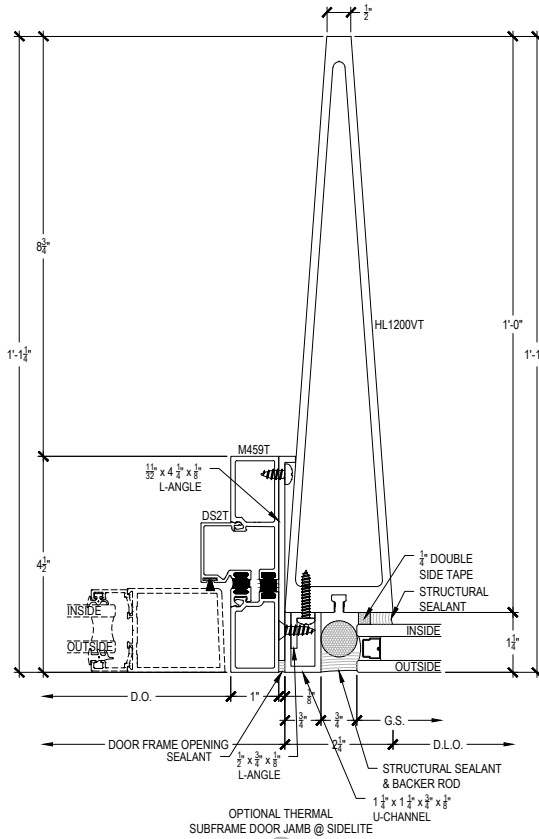
Scale: 3" = 1'-0"

SHEET 6 OF 7



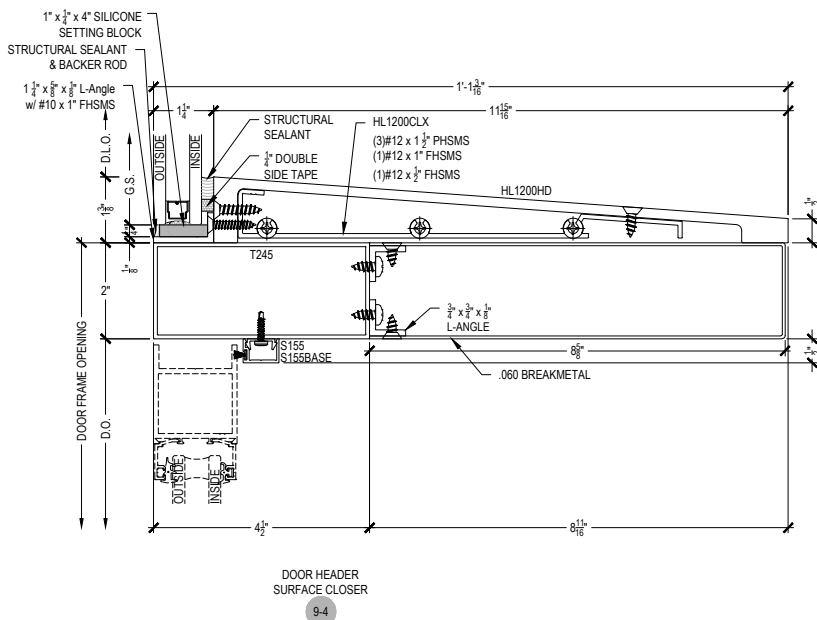
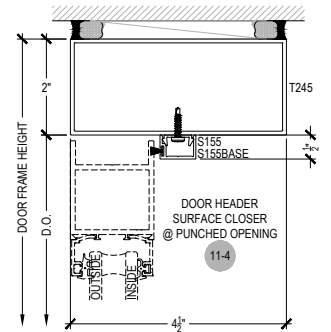
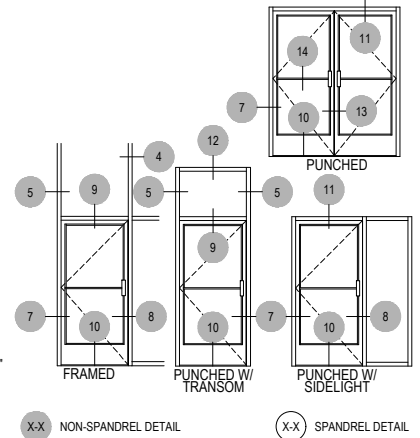
OPTIONAL THERMAL SUBFRAME DOOR JAMB

7-3



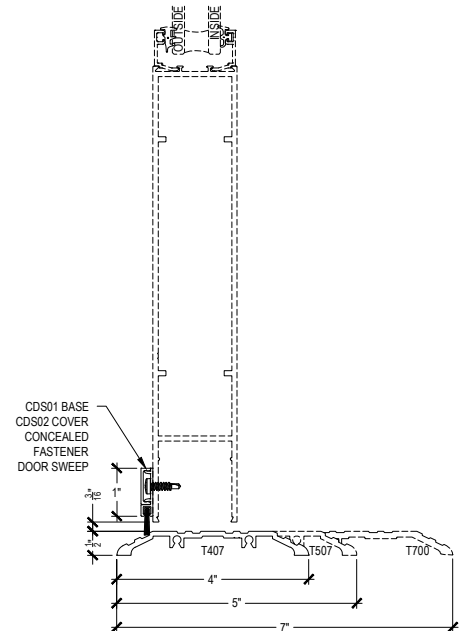
OPTIONAL THERMAL SUBFRAME DOOR JAMB @ SIDELITE

8-3



DOOR HEADER SURFACE CLOSER

9-4



OPTIONAL THRESHOLDS @ OFFSET HUNG DOOR

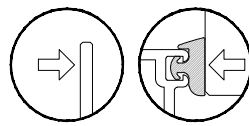
10-1

10-2

10-3

NOTE: SEE PARTS ID SHEETS FOR "F" & "T" ANCHOR PARTS NUMBERS TO EACH VERTICAL.

NOTE: FOR ALL DOOR OPTIONS SEE THE ENTRANCE SECTION OF ARCADIA, INC. WEBSITE.



Offset Glazed

Side Load

T500 FACET WALL SERIES 13 1/4"

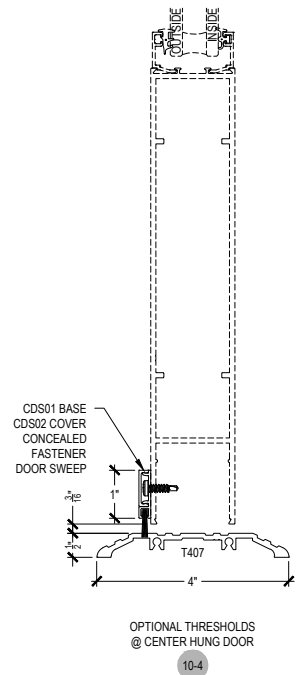
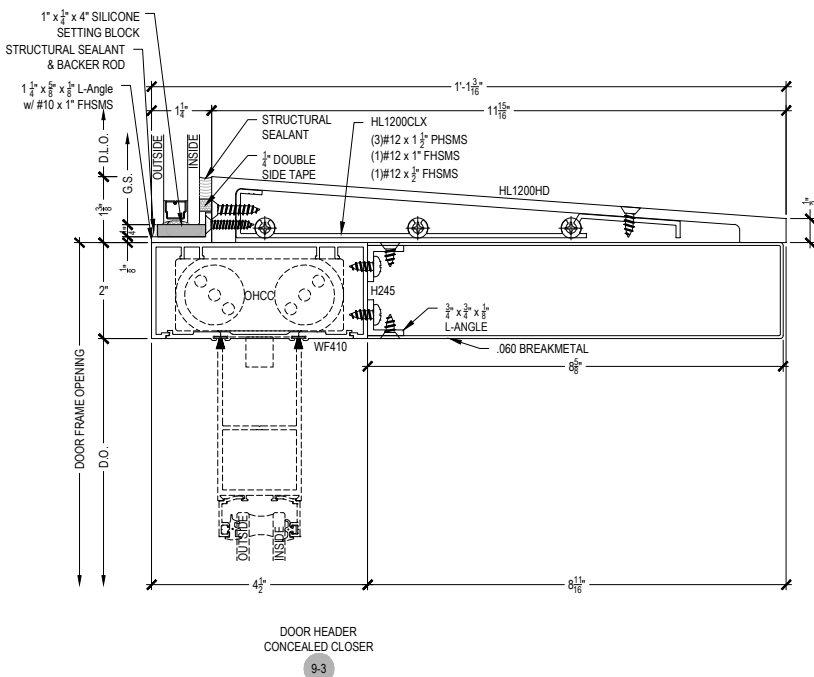
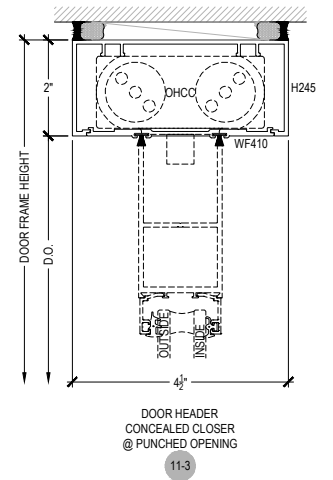
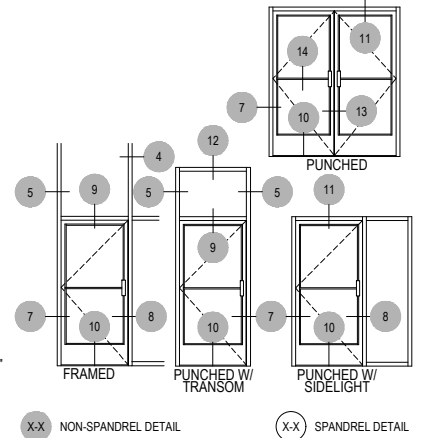
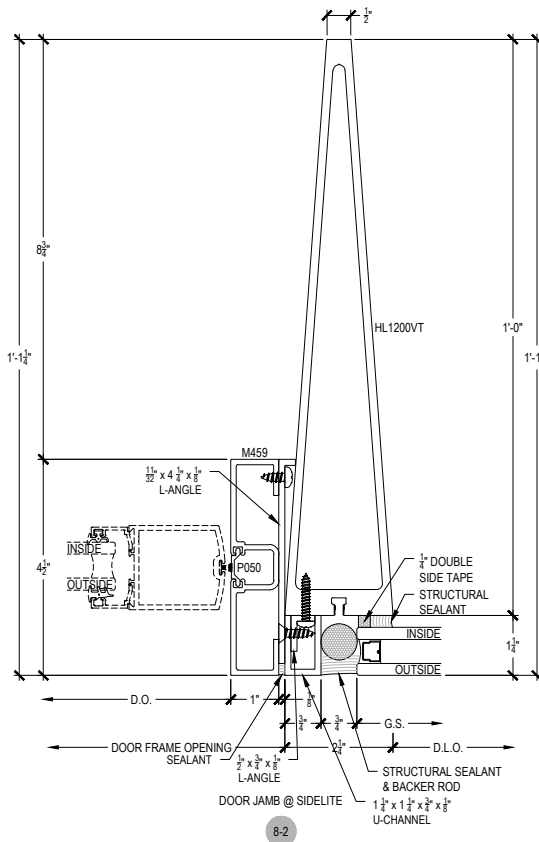
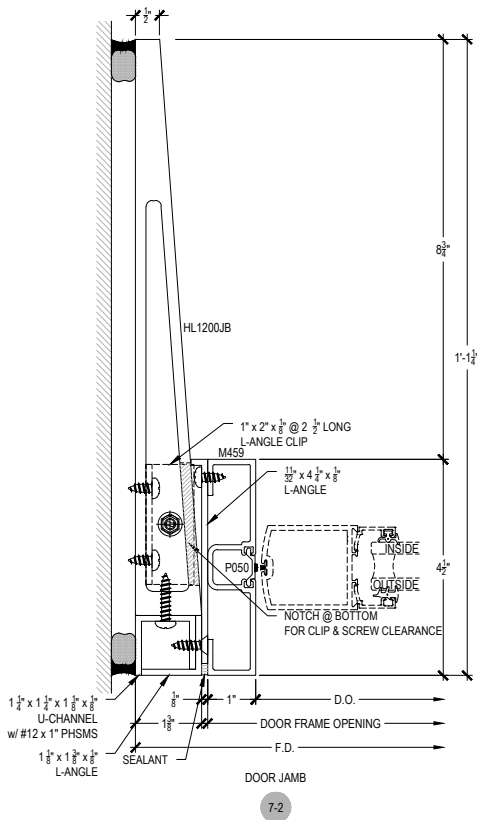
Description: 2 1/4" x 13 1/4" Glazed for 1" Glass

Function: Curtain Wall

Detail: Center Hung Doors

Scale: 3" = 1'-0"

SHEET 7 OF 7



NOTE: SEE PARTS ID SHEETS FOR "F" & "T" ANCHOR PARTS NUMBERS TO EACH VERTICAL.

NOTE: FOR ALL DOOR OPTIONS SEE THE ENTRANCE SECTION OF ARCADIA, INC. WEBSITE.