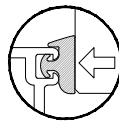


Offset Glazed



Side Load

# T500 FACET WALL SERIES 9 7/8"

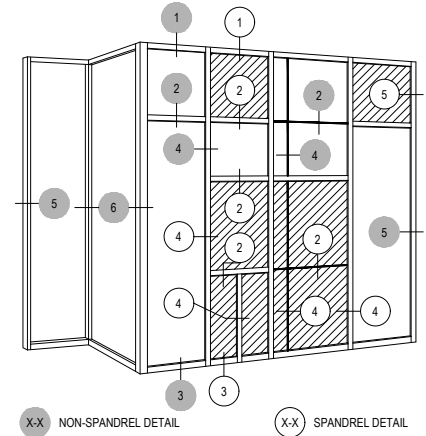
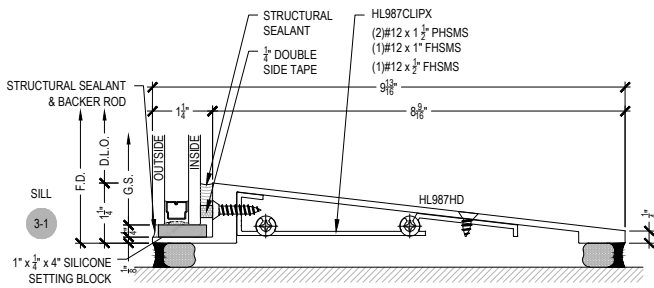
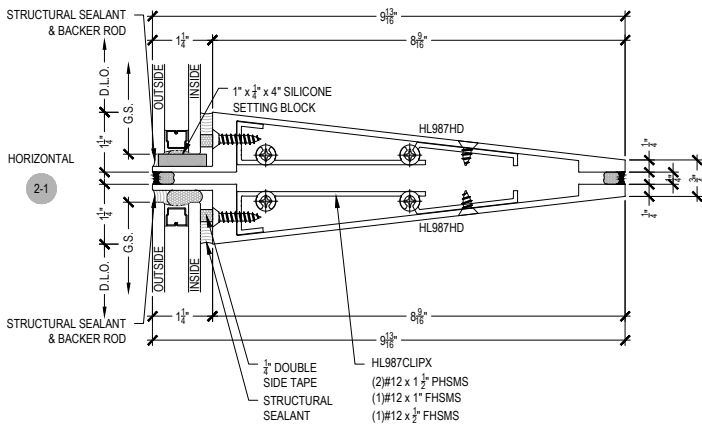
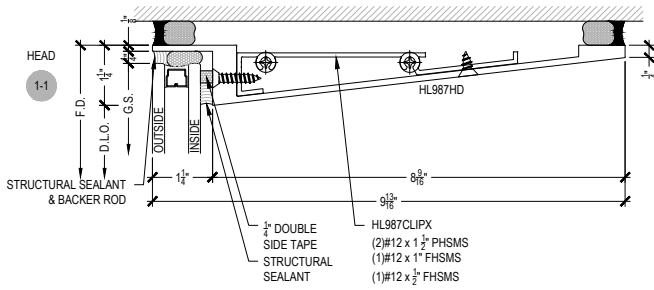
Description: 2 1/4" x 9 7/8" Glazed for 1" Glass

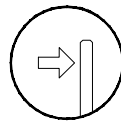
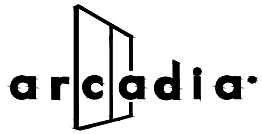
Function: Curtain Wall

Detail: Heads, Horizontals, Sills

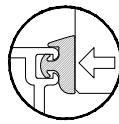
Scale: 3" = 1'-0"

SHEET 1 OF 6





Offset Glazed



Side Load

# T500 FACET WALL SERIES 9 7/8"

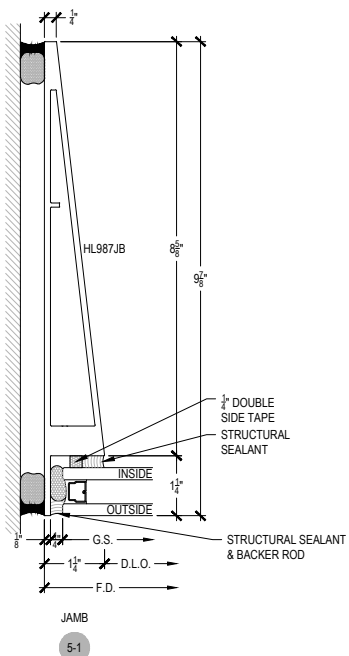
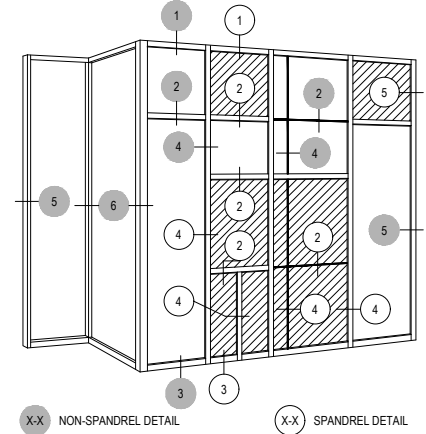
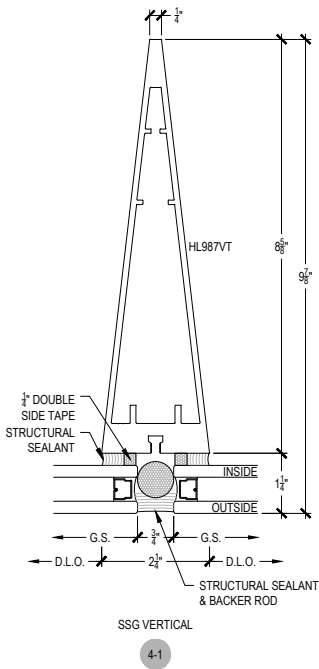
Description: 2 1/4" x 9 7/8" Glazed for 1" Glass

Function: Curtain Wall

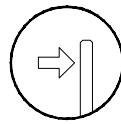
Detail: Verticals, Jamb

Scale: 3" = 1'-0"

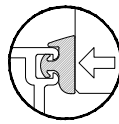
SHEET 2 OF 6



NOTE:  
SEE PARTS ID SHEETS FOR "F"  
& "T" ANCHOR PARTS  
NUMBERS TO EACH VERTICAL



Offset Glazed



Side Load

# T500 FACET WALL SERIES 9 7/8"

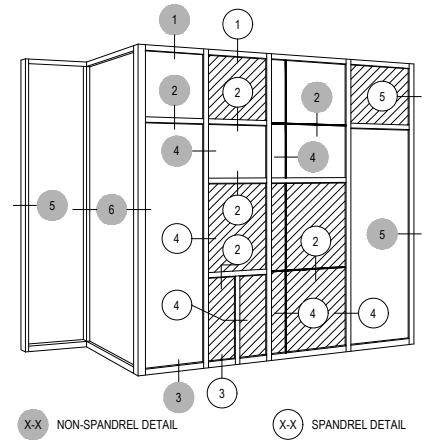
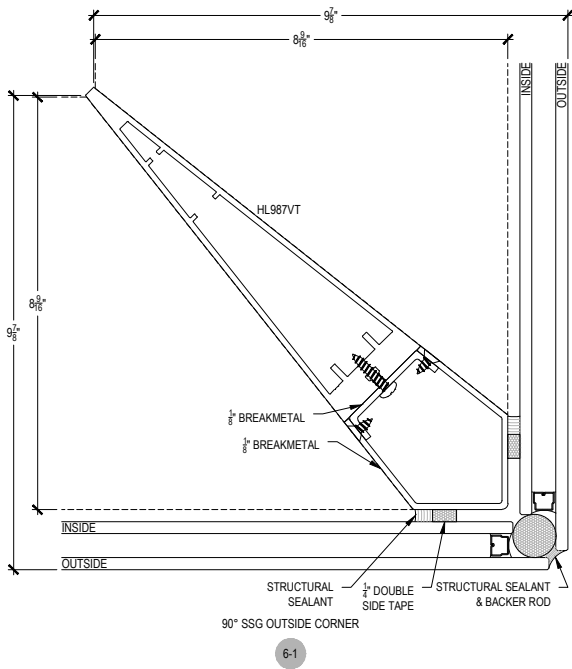
Description: 2 1/4" x 9 7/8" Glazed for 1" Glass

Function: Curtain Wall

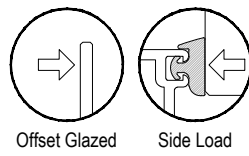
Detail: Corners

Scale: 3" = 1'-0"

SHEET 3 OF 6



NOTE:  
SEE PARTS ID SHEETS FOR "F"  
& "T" ANCHOR PARTS  
NUMBERS TO EACH VERTICAL



Offset Glazed

Side Load

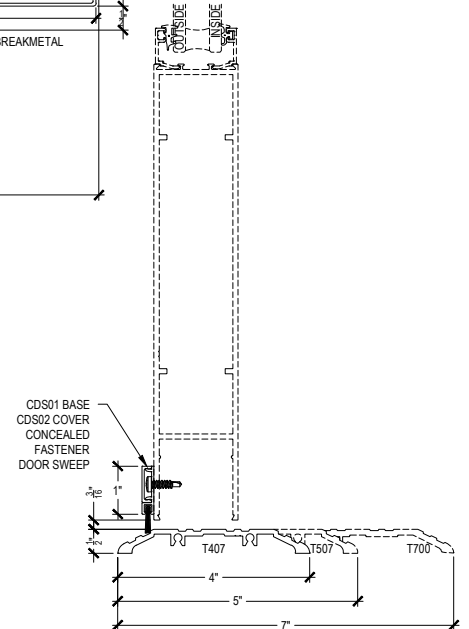
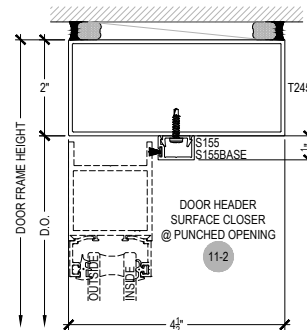
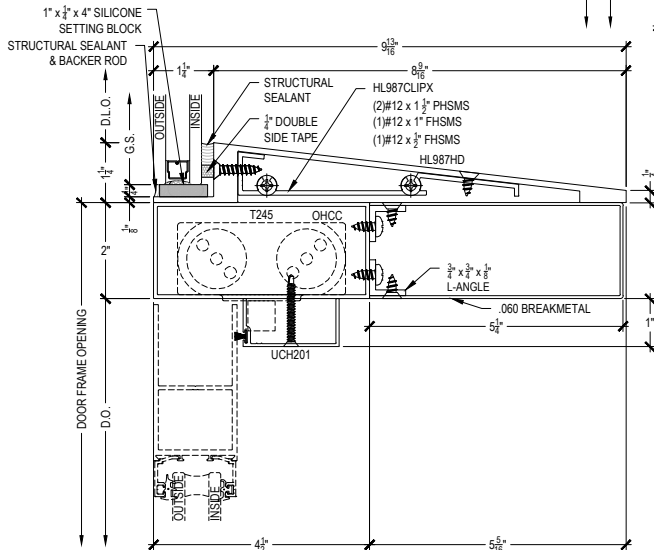
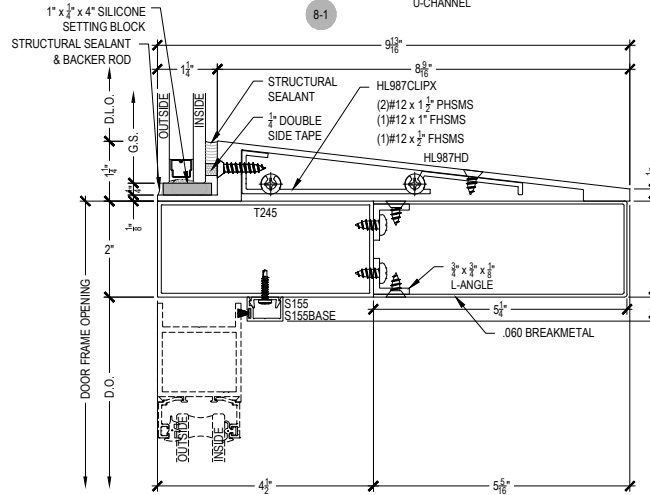
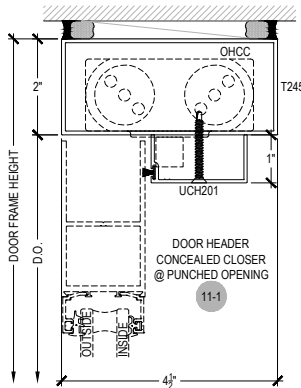
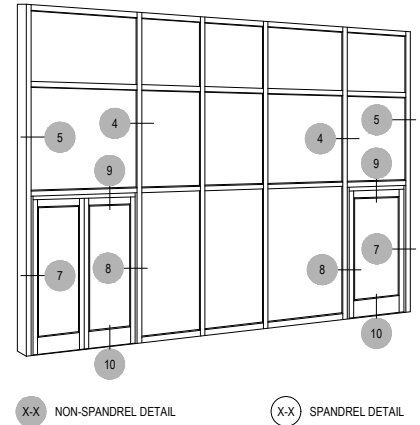
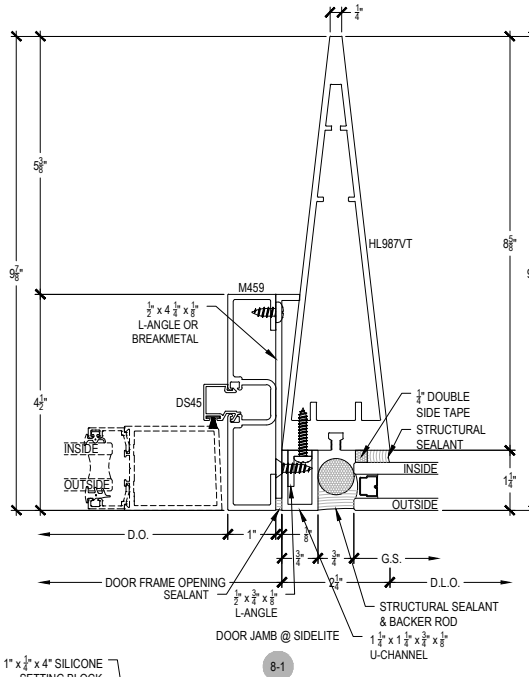
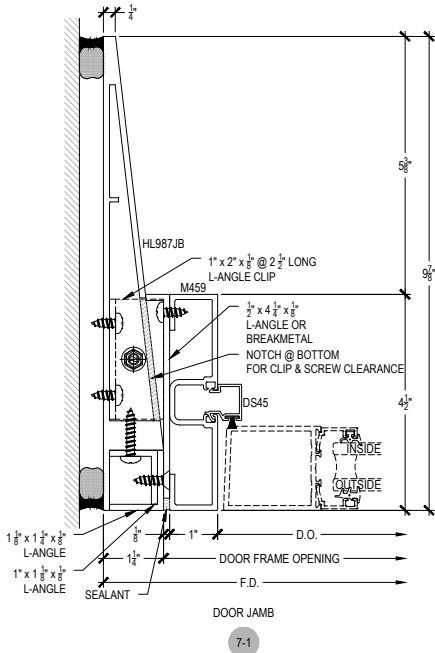
# T500 FACET WALL SERIES 9 7/8"

Description: 2 1/4" x 9 7/8" Glazed for 1" Glass

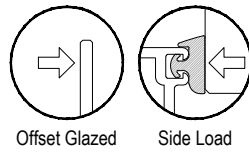
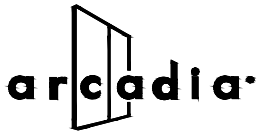
Function: Curtain Wall

Detail: Offset Hung Doors

Scale: 3" = 1'-0"



NOTE: SEE PARTS ID SHEETS FOR "I" & "T" ANCHOR PARTS NUMBERS TO EACH VERTICAL.  
NOTE: FOR ALL DOOR OPTIONS SEE THE ENTRANCE SECTION OF ARCADIA, INC. WEBSITE.



# T500 FACET WALL SERIES 9 7/8"

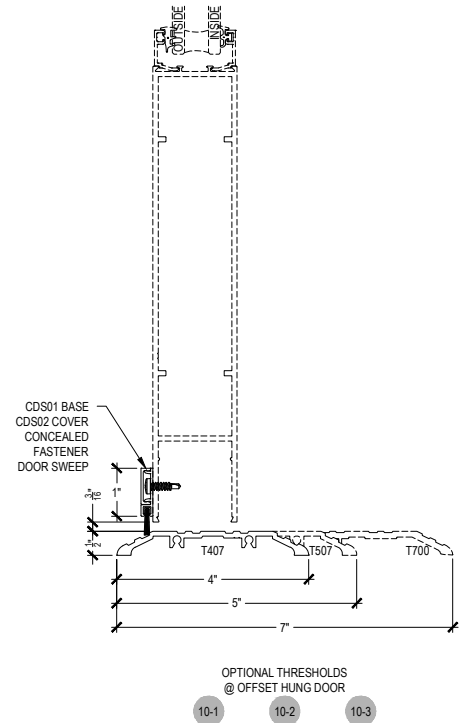
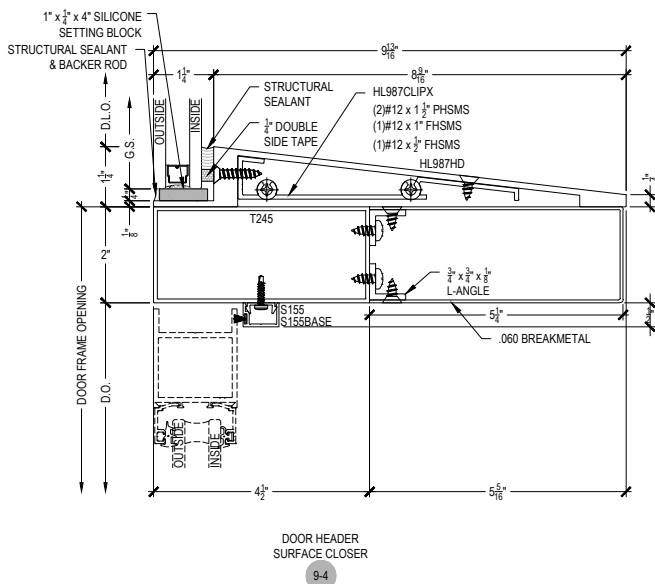
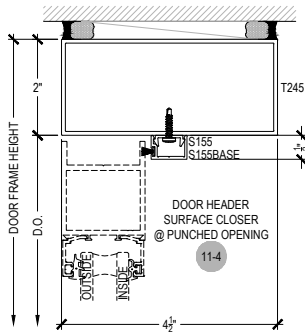
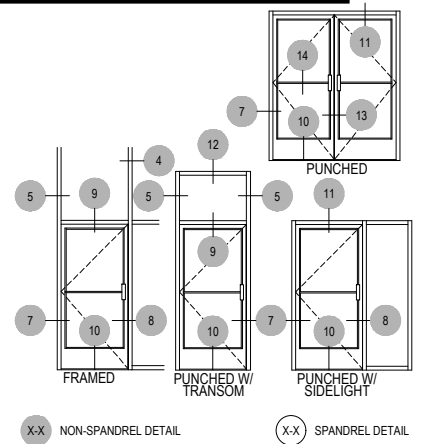
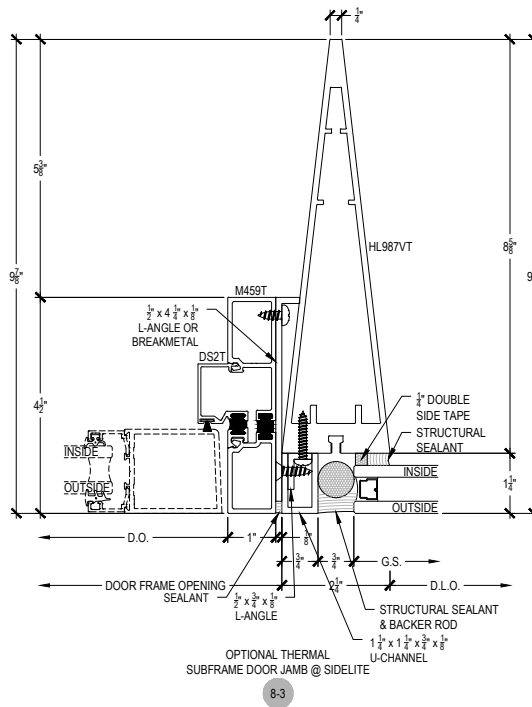
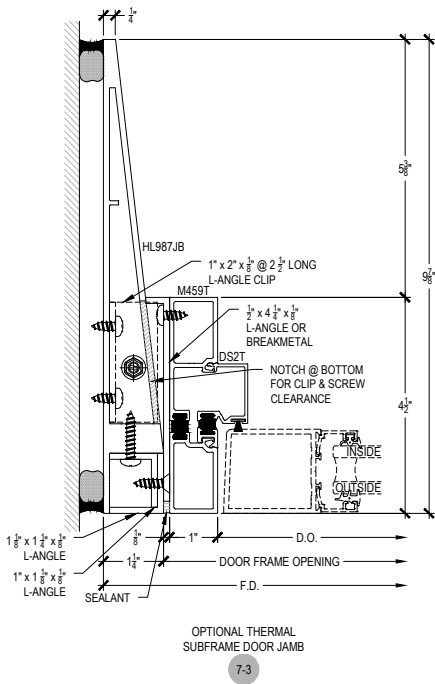
Description: 2 1/4" x 9 7/8" Glazed for 1" Glass

Function: Curtain Wall

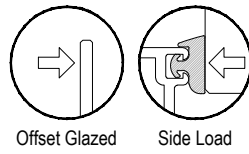
Detail: Offset Hung Doors & Options

Scale: 3" = 1'-0"

SHEET 5 OF 6



NOTE: SEE PARTS ID SHEETS FOR "F" & "T" ANCHOR PARTS  
NOTE: FOR ALL DOOR OPTIONS SEE THE ENTRANCE SECTION OF ARCADIA, INC. WEBSITE.



# T500 FACET WALL SERIES 9 7/8"

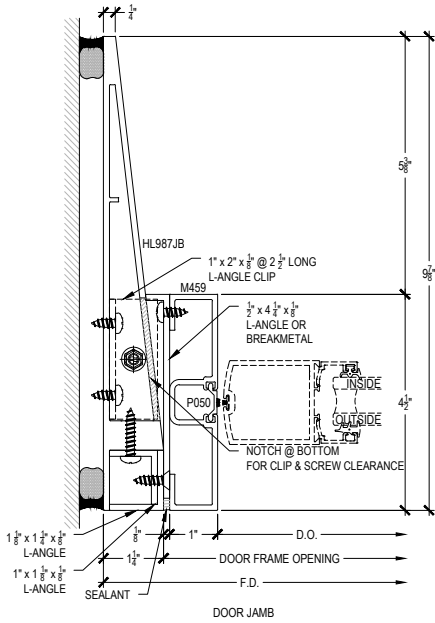
Description: 2 1/4" x 9 7/8" Glazed for 1" Glass

Function: Curtain Wall

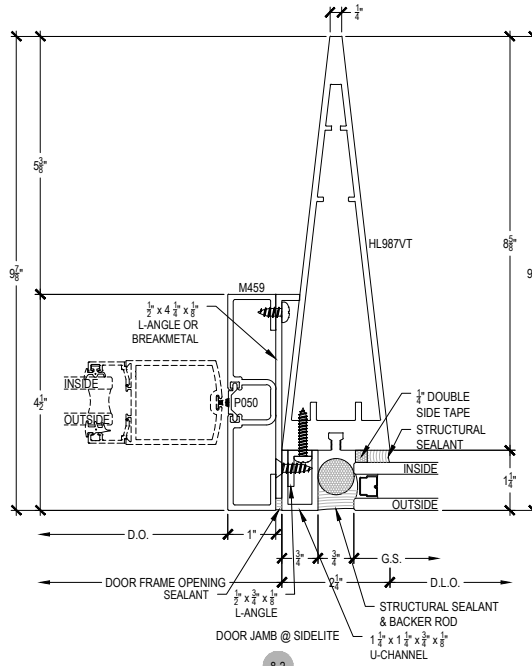
Detail: Center Hung Doors

Scale: 3" = 1'-0"

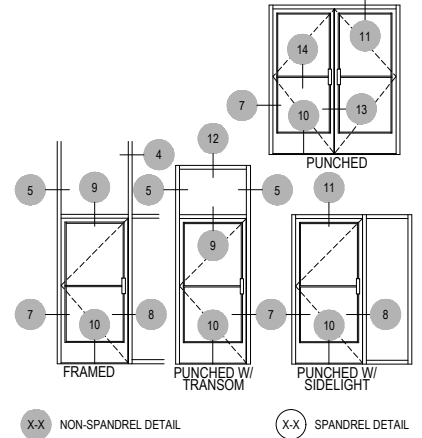
SHEET 6 OF 6



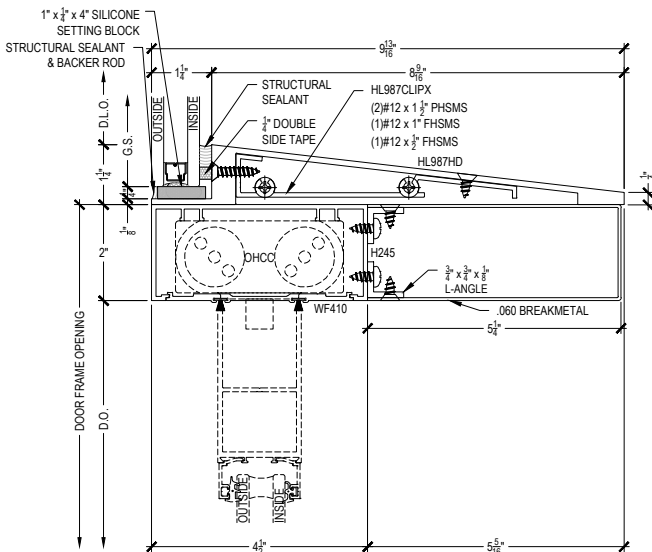
7-2



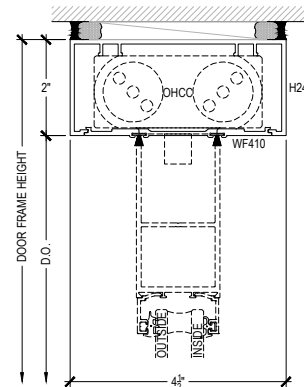
8-2



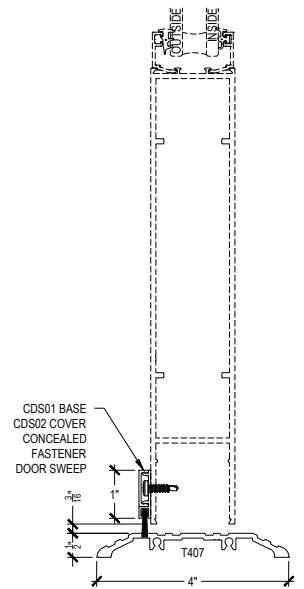
● X-X NON-SPANDREL DETAIL  
○ X-X SPANDREL DETAIL



9-3



11-3



10-4

NOTE: SEE PARTS ID SHEETS FOR "F" & "T" ANCHOR PARTS NUMBERS TO EACH VERTICAL.  
NOTE: FOR ALL DOOR OPTIONS SEE THE ENTRANCE SECTION OF ARCADIA, INC. WEBSITE.