

Offset Glazed Side Load Thermal
Optional Projected Cover Caps Available

T500 (OPG3000) Series

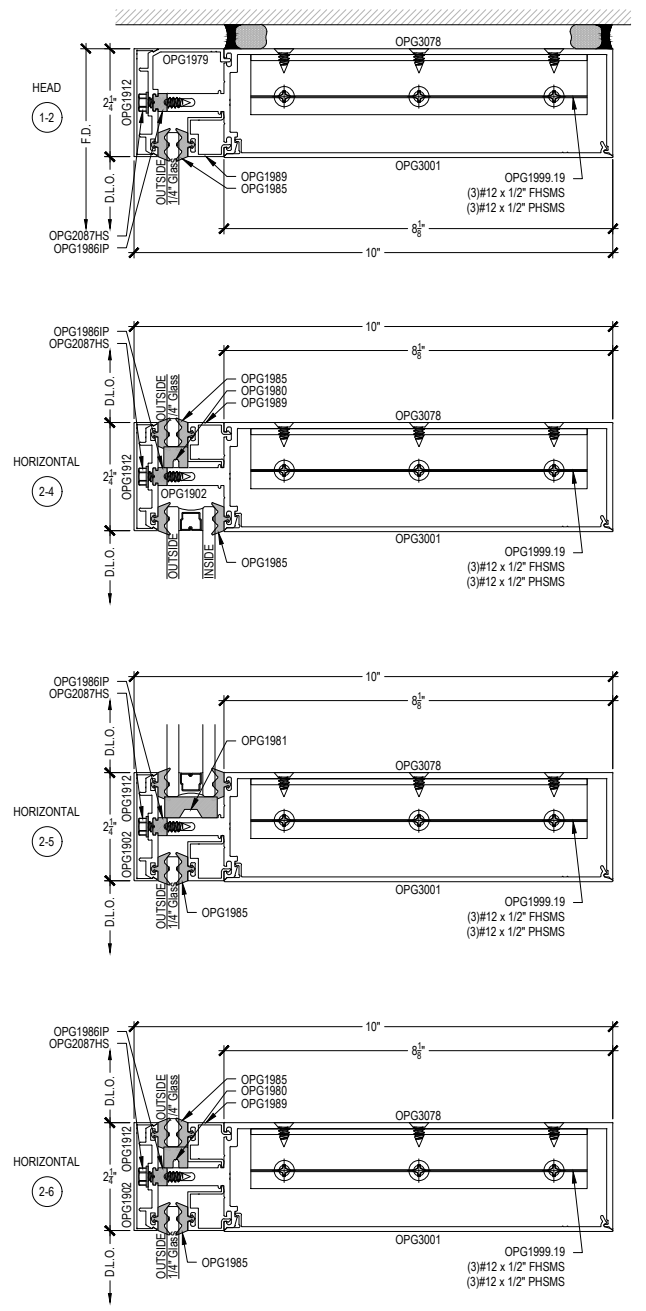
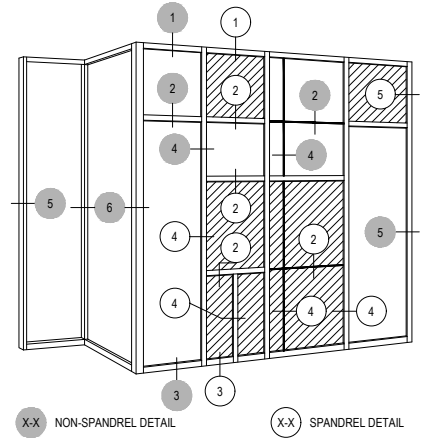
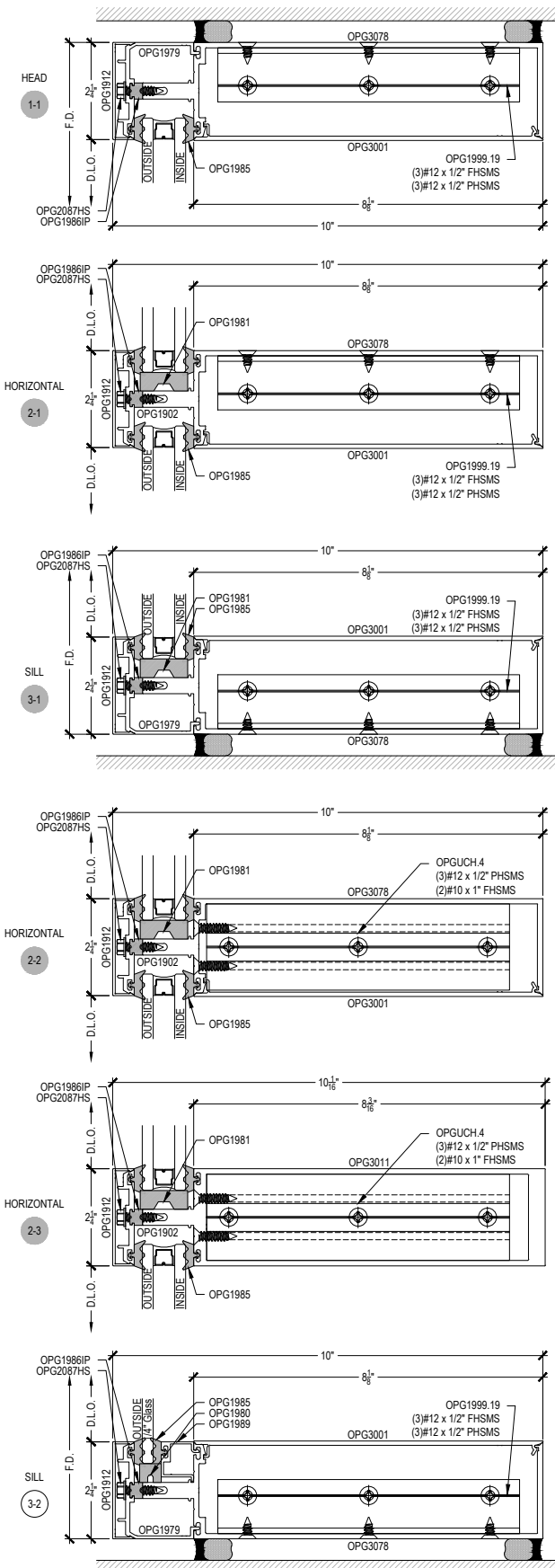
Description: 2 1/4" X 10" Glazed for 1/4" - 1-11/16" Glass

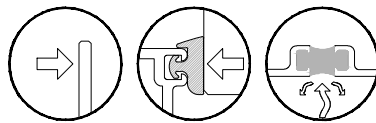
Function: Curtain Wall

Detail: Heads, Horizontals, Sills

Scale: 3" = 1'-0"

SHEET 1 OF 10



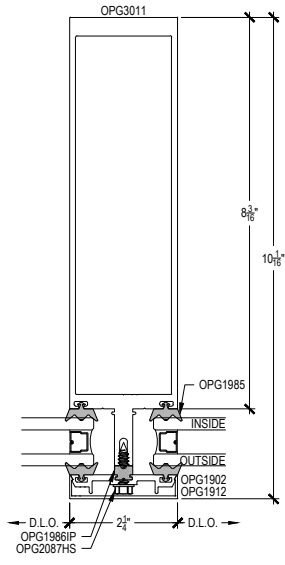


Offset Glazed Side Load Thermal
Optional Projected Cover Caps Available

T500 (OPG3000) Series

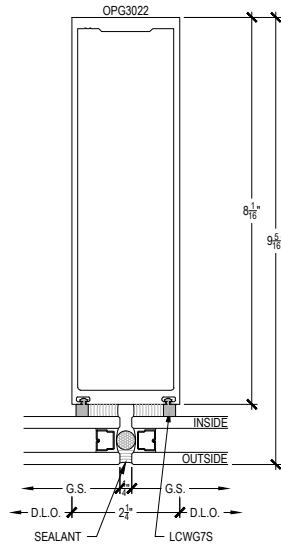
Description: 2 1/4" X 10" Glazed for 1/4" - 1-11/16" Glass
Function: Curtain Wall
Detail: Verticals
Scale: 3" = 1'-0"

SHEET 2 OF 10



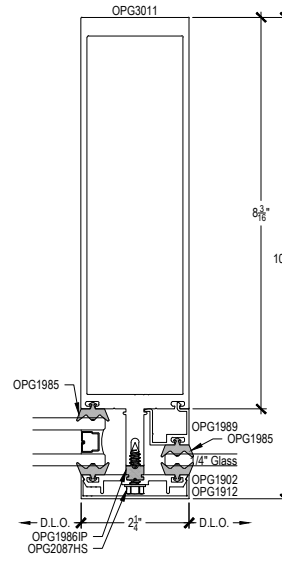
VERTICAL

4-1



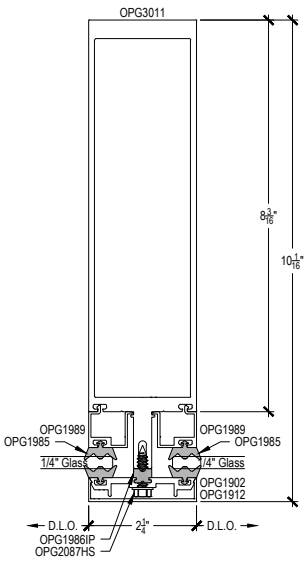
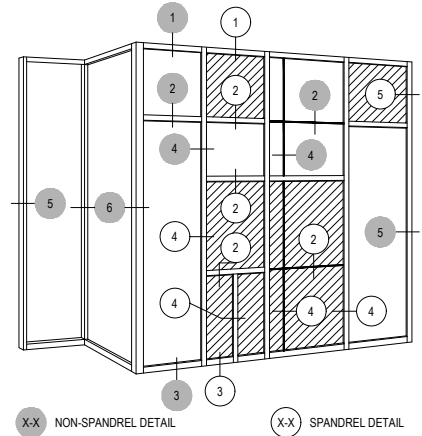
SSG VERTICAL

4-2



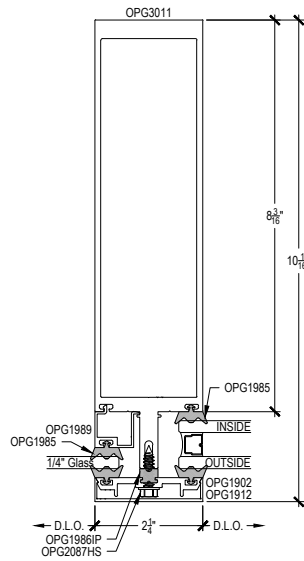
VERTICAL

4-3



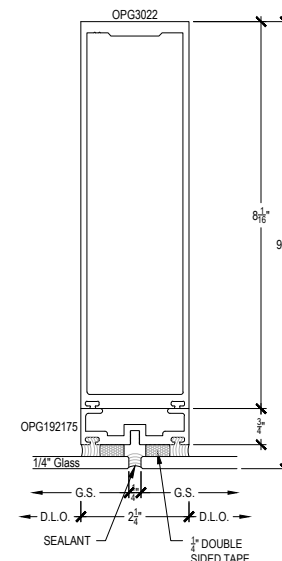
VERTICAL

4-4



VERTICAL

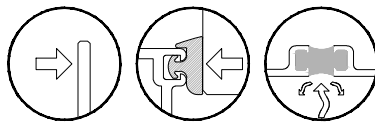
4-5



SSG VERTICAL

4-6

NOTE:
SEE PARTS ID SHEETS FOR "F"
& "T" ANCHOR PARTS
NUMBERS TO EACH VERTICAL



Offset Glazed Side Load Thermal
Optional Projected Cover Caps Available

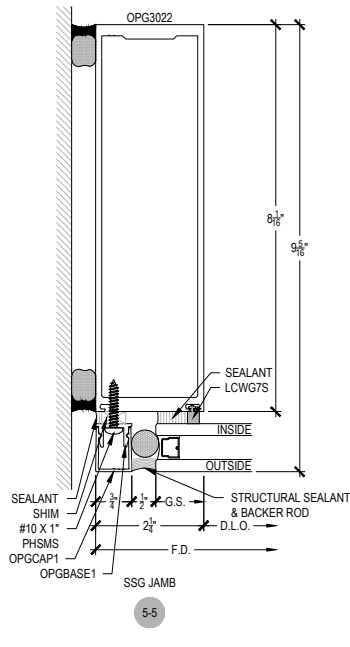
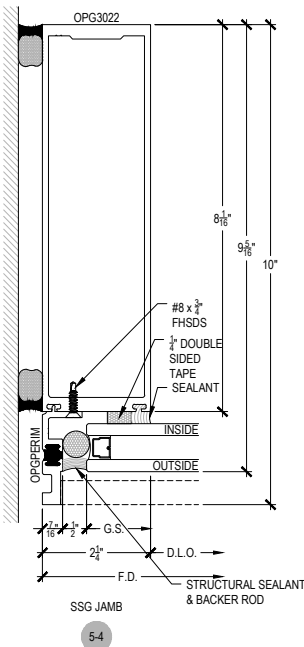
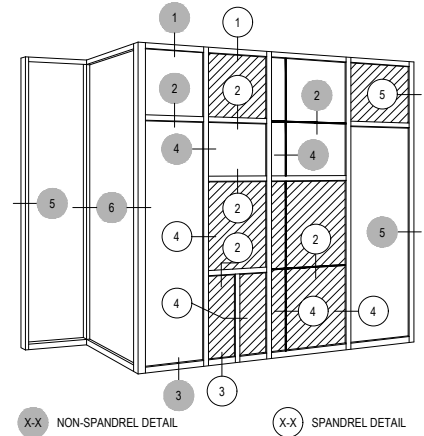
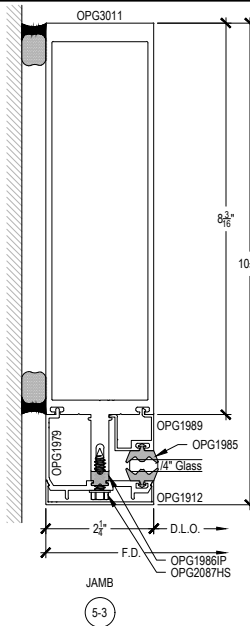
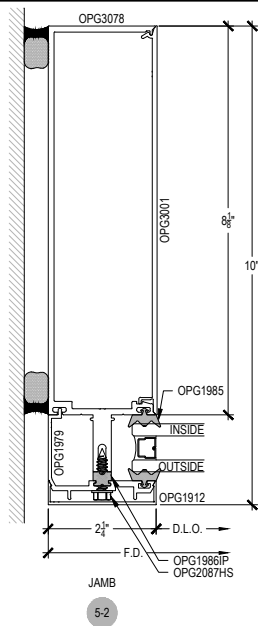
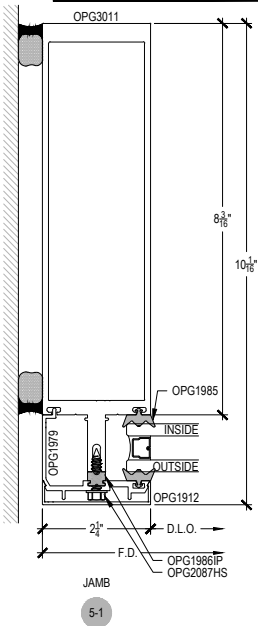
T500 (OPG3000) Series

Description: 2 1/4" X 10" Glazed for 1/4" - 1-11/16" Glass
Function: Curtain Wall

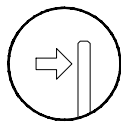
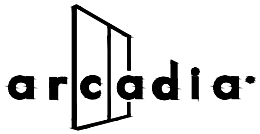
Detail: Jamb

Scale: 3" = 1'-0"

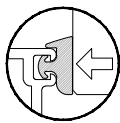
SHEET 3 OF 10



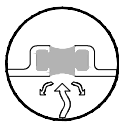
NOTE:
SEE PARTS ID SHEETS FOR "F"
& "T" ANCHOR PARTS
NUMBERS TO EACH VERTICAL



Offset Glazed



Side Load



Thermal

Optional Projected Cover Caps Available

T500 (OPG3000) Series

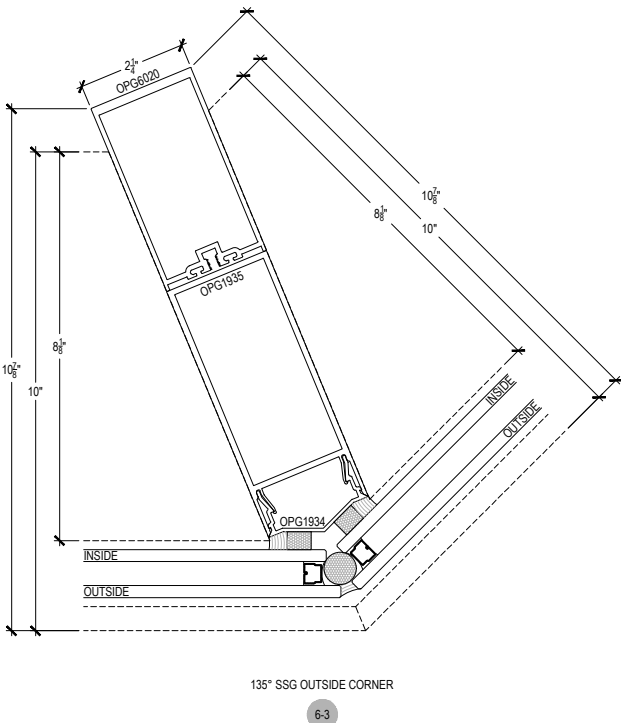
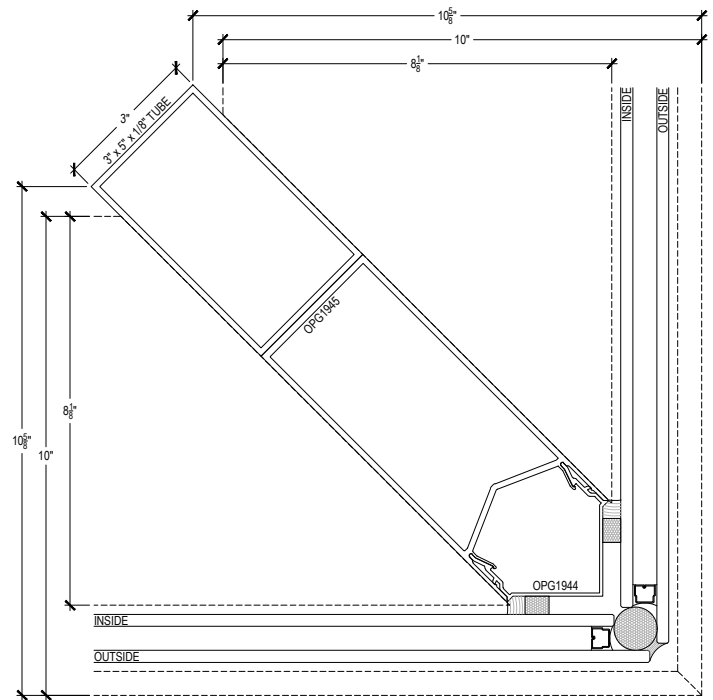
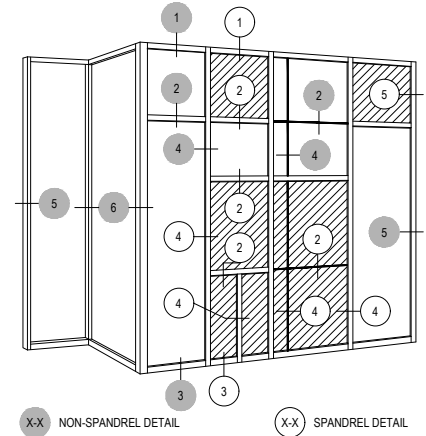
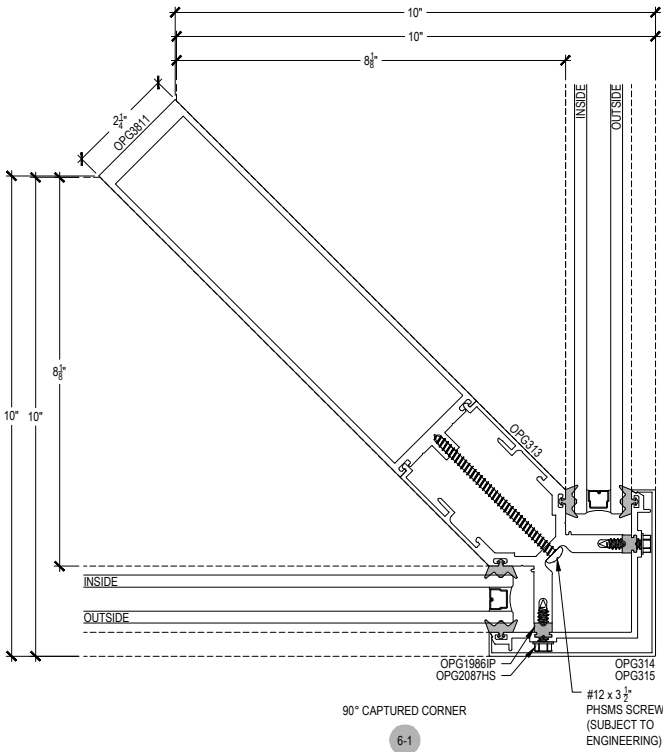
Description: 2 1/4" X 10" Glazed for 1/4" - 1-11/16" Glass

Function: Curtain Wall

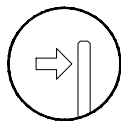
Detail: Corners

Scale: 3" = 1'-0"

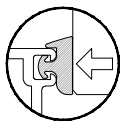
SHEET 4 OF 10



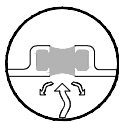
NOTE:
 SEE PARTS ID SHEETS FOR "F"
 & "T" ANCHOR PARTS
 NUMBERS TO EACH VERTICAL



Offset Glazed



Side Load



Thermal

Optional Projected Cover Caps Available

T500 (OPG3000) Series

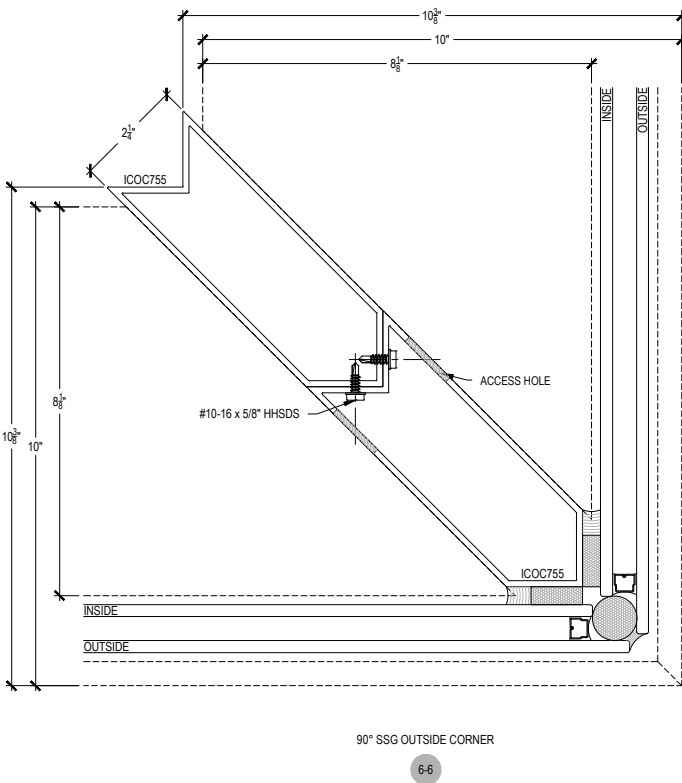
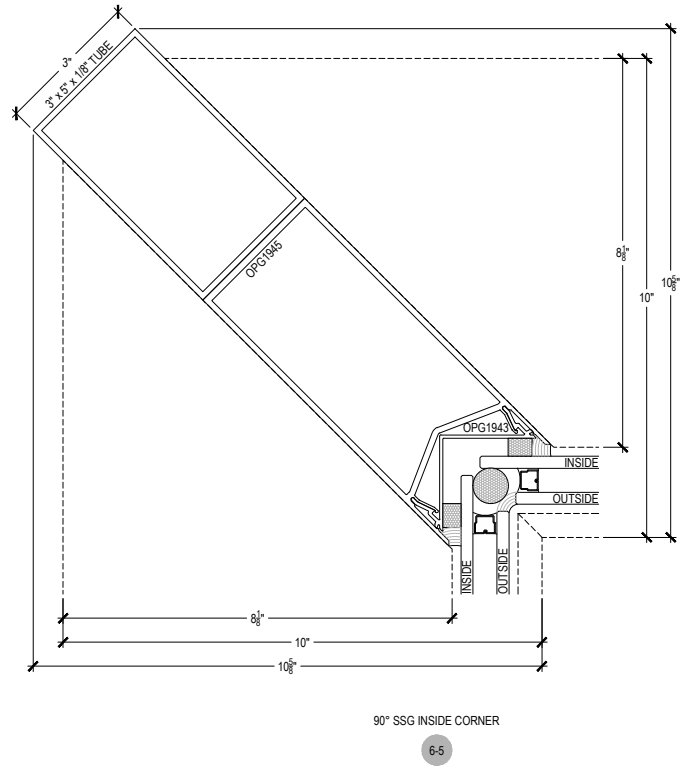
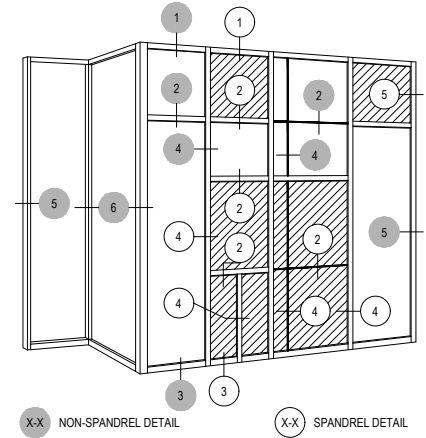
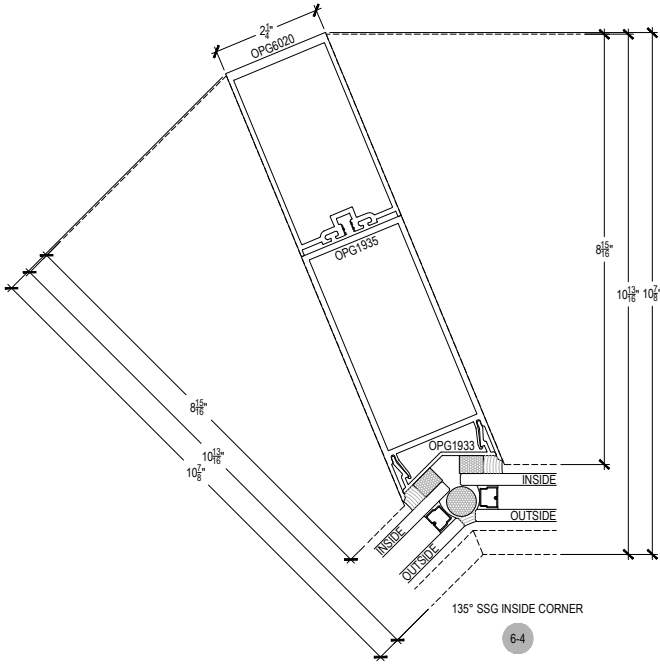
Description: 2 1/4" X 10" Glazed for 1/4" - 1-11/16" Glass

Function: Curtain Wall

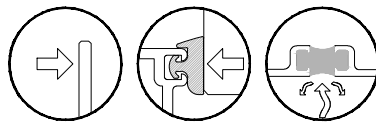
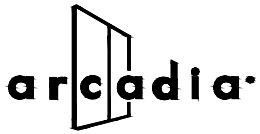
Detail: Corners

Scale: 3" = 1'-0"

SHEET 5 OF 10



NOTE:
SEE PARTS ID SHEETS FOR 'F'
& 'T' ANCHOR PARTS
NUMBERS TO EACH VERTICAL



Offset Glazed Side Load Thermal
Optional Projected Cover Caps Available

T500 (OPG3000) Series

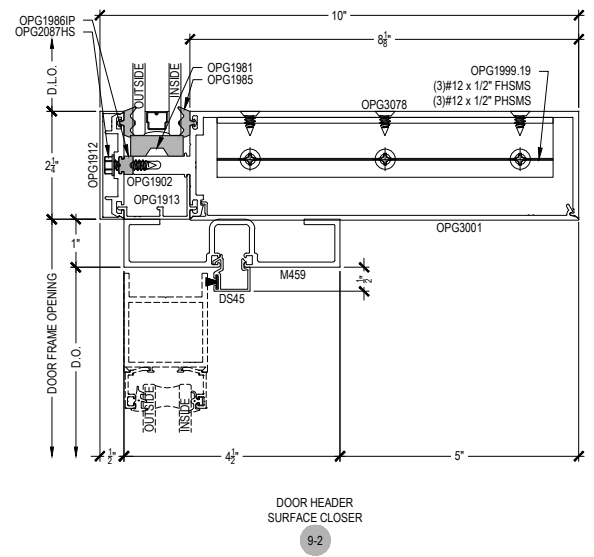
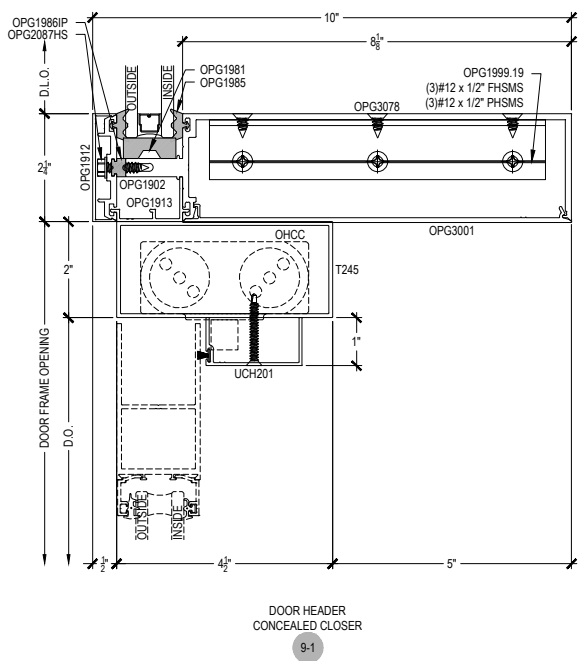
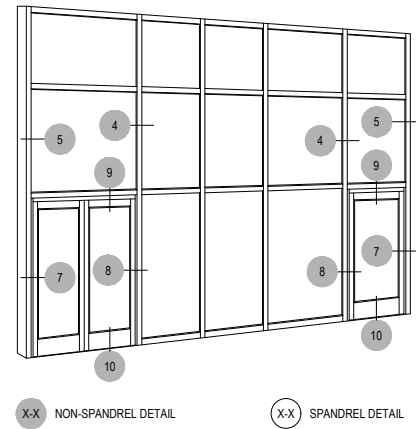
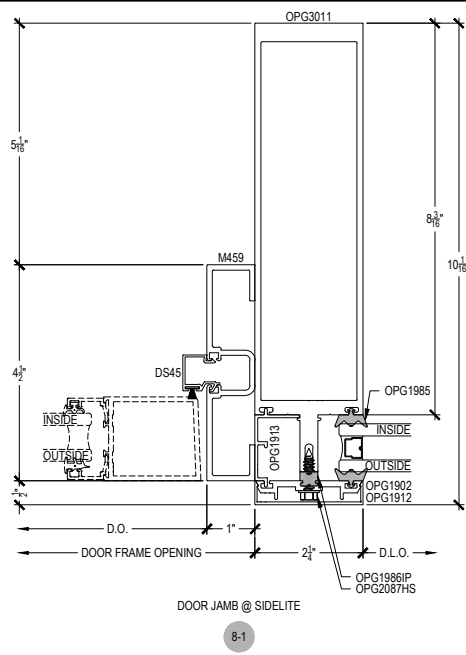
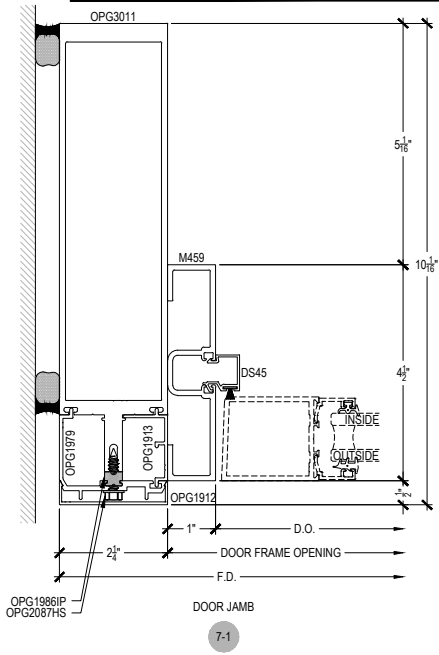
Description: 2 1/4" X 10" Glazed for 1/4" - 1-11/16" Glass

Function: Curtain Wall

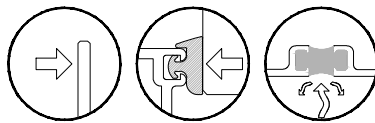
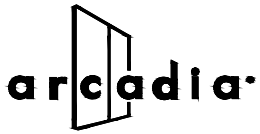
Detail: Offset Hung Doors

Scale: 3" = 1'-0"

SHEET 6 OF 10



NOTE: SEE PARTS ID SHEETS FOR "F" & "T" ANCHOR PARTS
NOTE: FOR ALL DOOR OPTIONS SEE THE ENTRANCE SECTION OF ARCADIA, INC. WEBSITE.

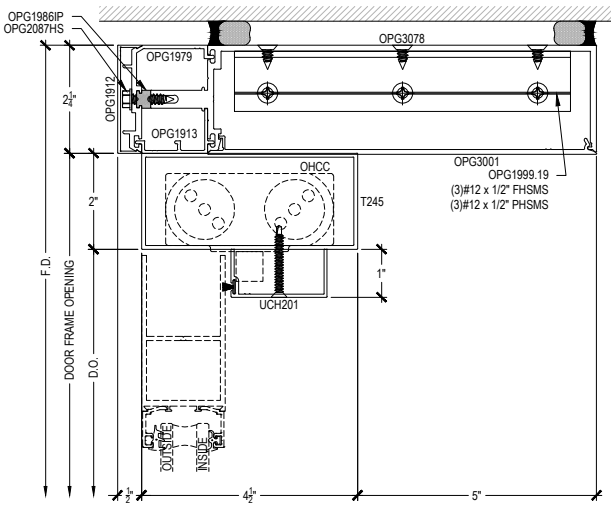


Offset Glazed Side Load Thermal
Optional Projected Cover Caps Available

T500 (OPG3000) Series

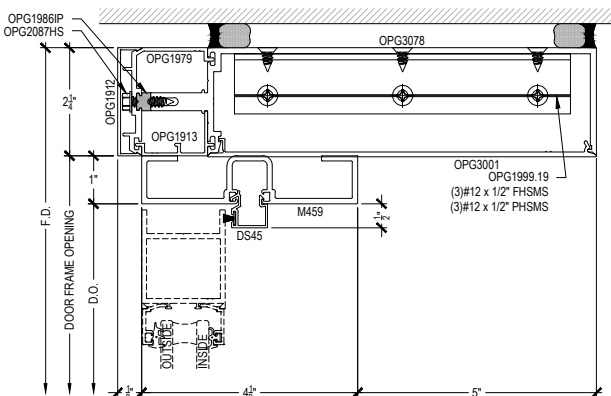
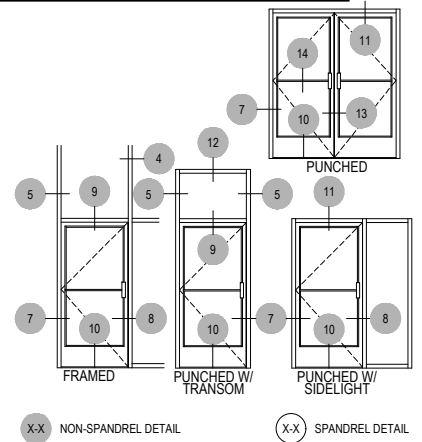
Description: 2 1/4" X 10" Glazed for 1/4" - 1-11/16" Glass
Function: Curtain Wall
Detail: Offset Hung Doors
Scale: 3" = 1'-0"

SHEET 7 OF 10



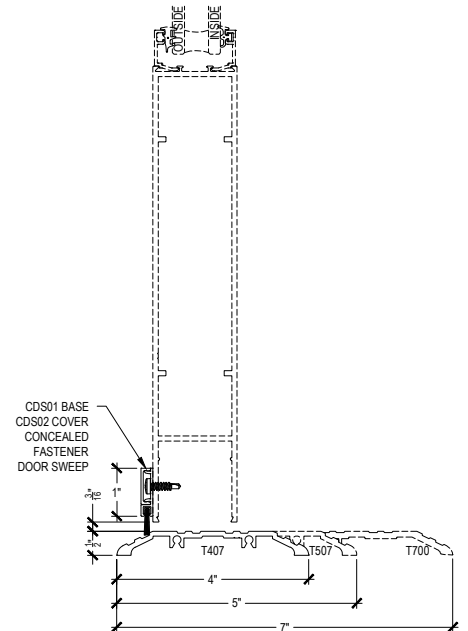
DOOR HEADER
CONCEALED CLOSER
@ PUNCHED OPENING

11-1



DOOR HEADER
SURFACE CLOSER
@ PUNCHED OPENING

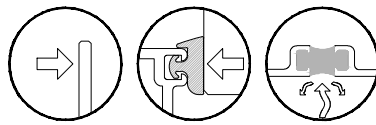
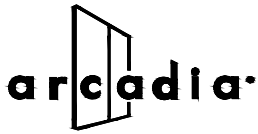
11-2



OPTIONAL THRESHOLDS
@ OFFSET HUNG DOOR

10-1 10-2 10-3

NOTE: SEE PARTS ID SHEETS FOR "F" & "T" ANCHOR PARTS NUMBERS TO EACH VERTICAL.
NOTE: FOR ALL DOOR OPTIONS SEE THE ENTRANCE SECTION OF ARCADIA, INC. WEBSITE.

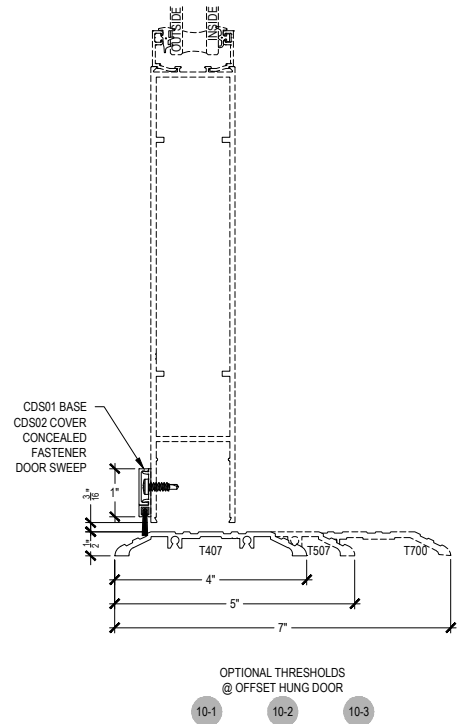
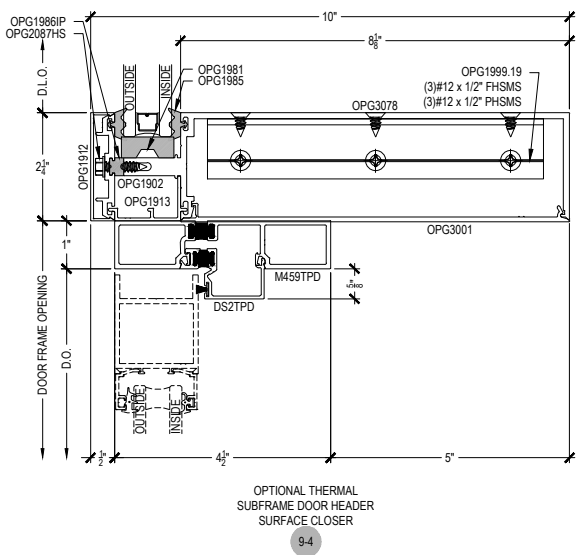
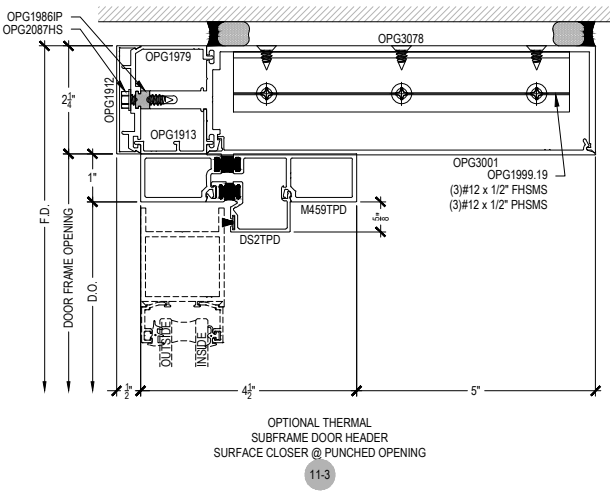
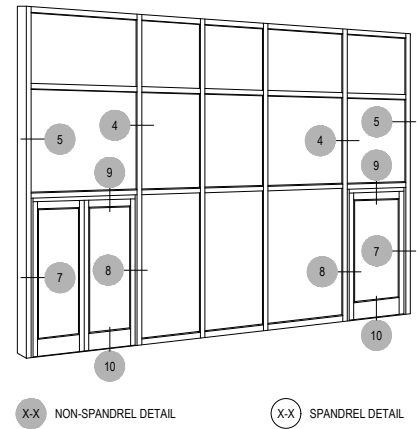
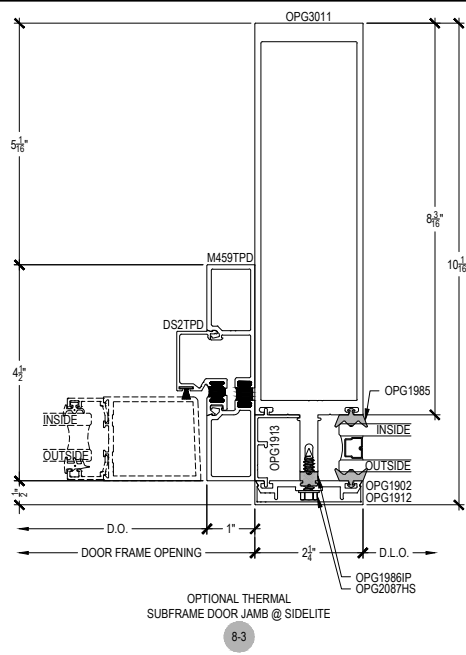
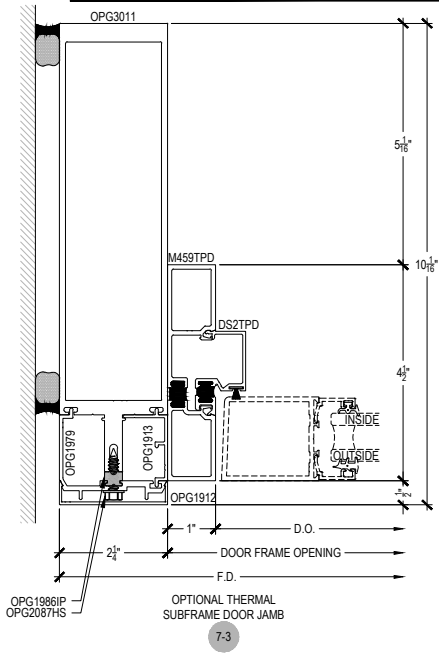


Offset Glazed Side Load Thermal
Optional Projected Cover Caps Available

T500 (OPG3000) Series

Description: 2 1/4" X 10" Glazed for 1/4" - 1-11/16" Glass
Function: Curtain Wall
Detail: Offset Hung Doors & Options
Scale: 3" = 1'-0"

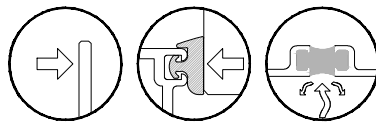
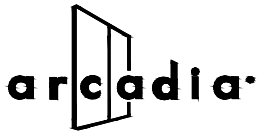
SHEET 8 OF 10



NOTE:
TYPICAL VERTICALS &
HORIZONTALS SHOWN IN
DOOR DETAILS. OPTIONAL
TO CHANGE OUT FOR
PROJECT SPECIFIC NEEDS.

NOTE:
SEE PARTS ID SHEETS FOR "F"
& "T" ANCHOR PARTS
NUMBERS TO EACH VERTICAL.

NOTE:
FOR ALL DOOR OPTIONS SEE
THE ENTRANCE SECTION OF
ARCADIA, INC. WEBSITE.

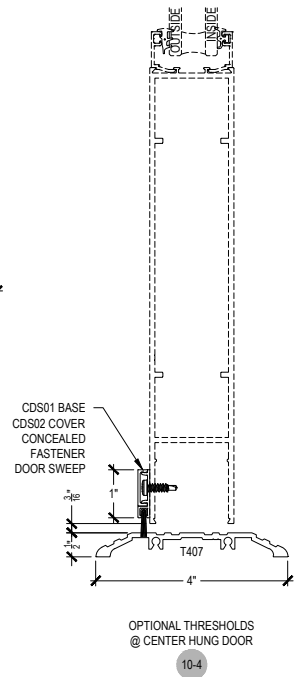
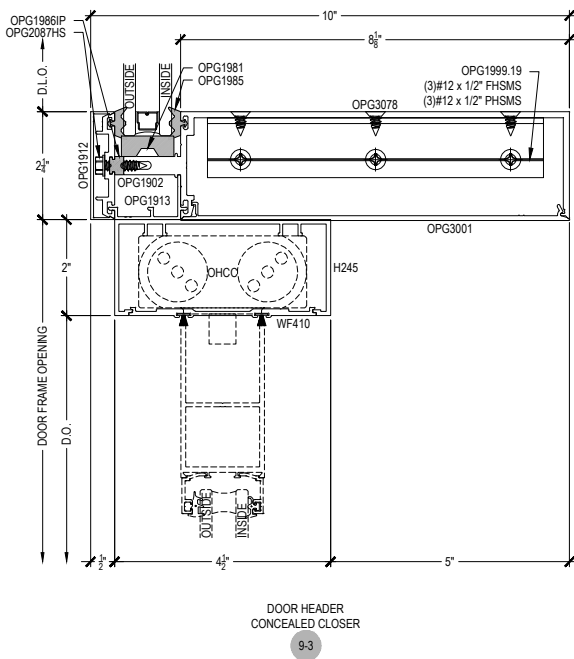
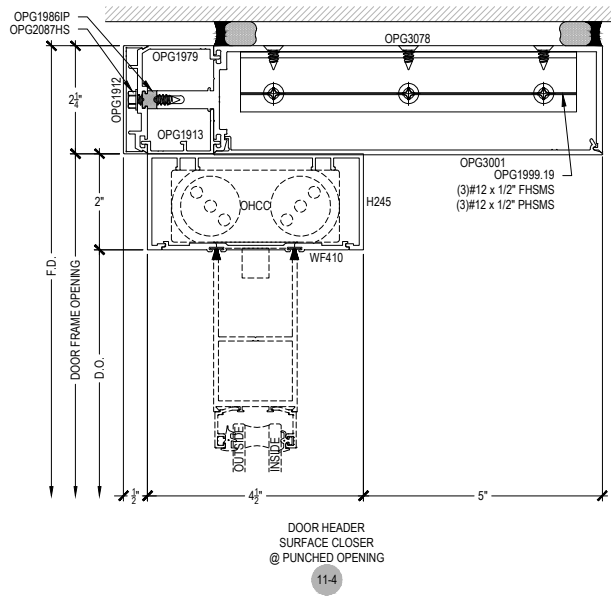
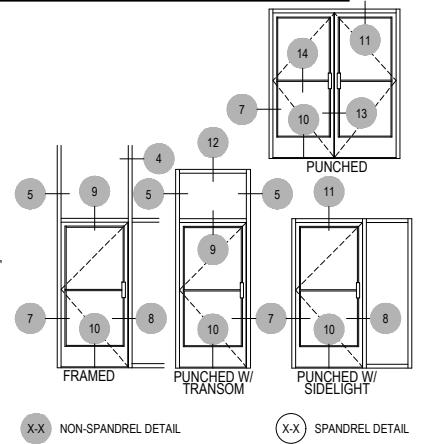
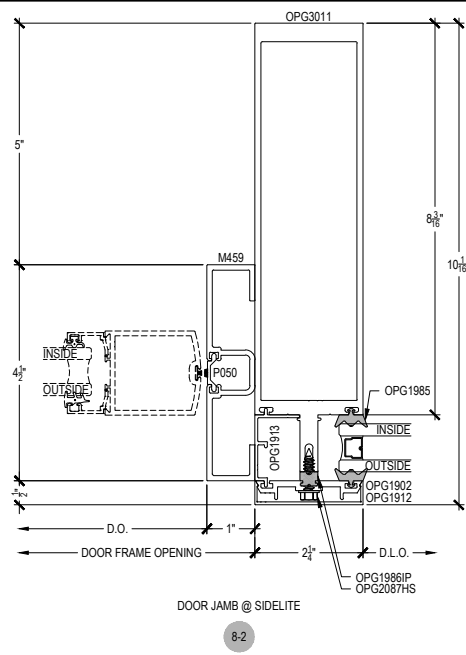
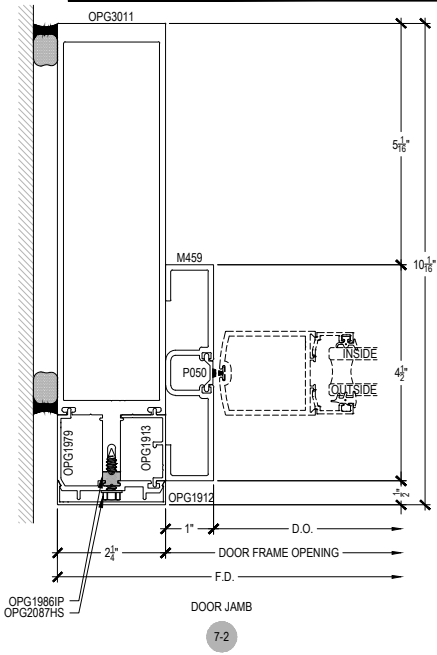


Offset Glazed Side Load Thermal
Optional Projected Cover Caps Available

T500 (OPG3000) Series

Description: 2 1/4" X 10" Glazed for 1/4" - 1-11/16" Glass
Function: Curtain Wall
Detail: Center Hung Doors
Scale: 3" = 1'-0"

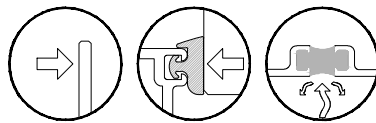
SHEET 9 OF 10



NOTE:
TYPICAL VERTICALS & HORIZONTALS SHOWN IN DOOR DETAILS. OPTIONAL TO CHANGE OUT FOR PROJECT SPECIFIC NEEDS.

NOTE:
SEE PARTS ID SHEETS FOR "F" & "T" ANCHOR PARTS

NOTE:
FOR ALL DOOR OPTIONS SEE THE ENTRANCE SECTION OF ARCADIA, INC. WEBSITE.



Offset Glazed Side Load Thermal
Optional Projected Cover Caps Available

T500 (OPG3000) Series

Description: 2 1/4" X 10" Glazed for 1/4" - 1-11/16" Glass
Function: Curtain Wall
Detail: Optional Glazing
Scale: 3" = 1'-0"

