

Offset Glazed Side Load Thermal
Optional Projected Cover Caps Available

T500 (OPG1500) Series

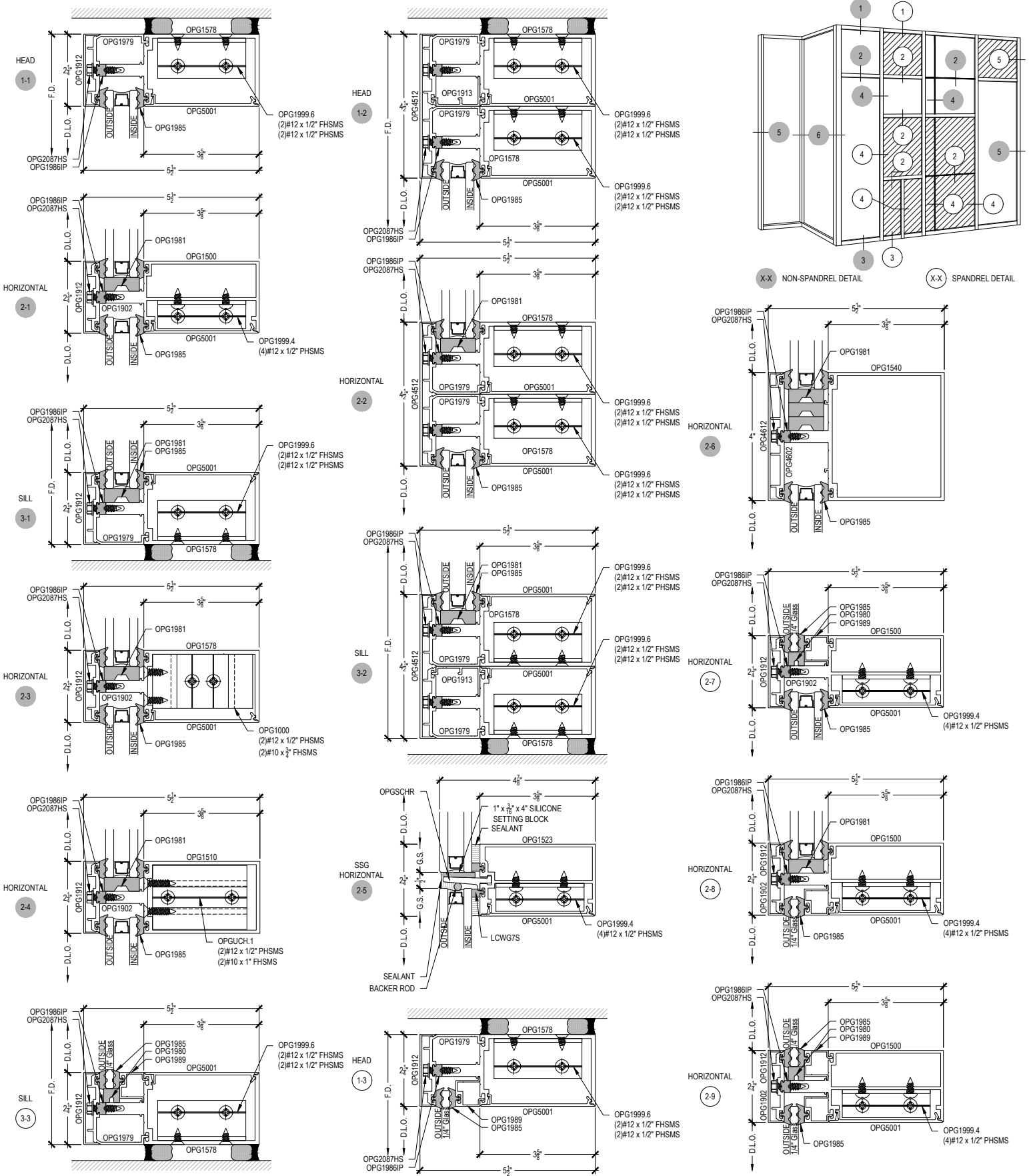
Description: 2 1/4" X 5 1/2" Glazed for 1/4" - 1-11/16" Glass

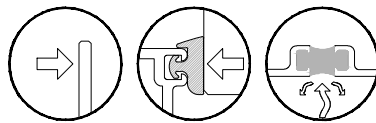
Function: Curtain Wall

Detail: Heads, Horizontals, Sills

Scale: 3" = 1'-0"

SHEET 1 OF 8





Offset Glazed Side Load Thermal
Optional Projected Cover Caps Available

T500 (OPG1500) Series

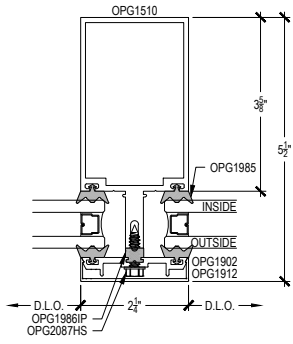
Description: 2 1/4" X 5 1/2" Glazed for 1/4" - 1-11/16" Glass

Function: Curtain Wall

Detail: Verticals

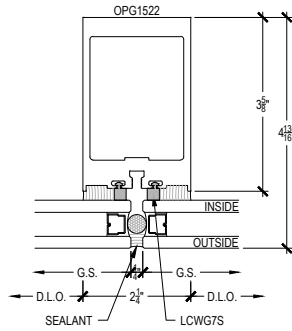
Scale: 3" = 1'-0"

SHEET 2 OF 8



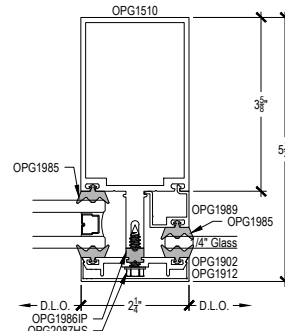
VERTICAL

4-1



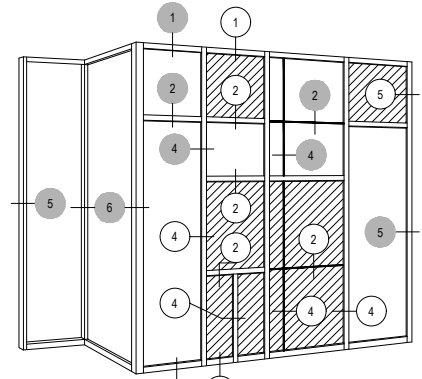
SSG VERTICAL

4-2



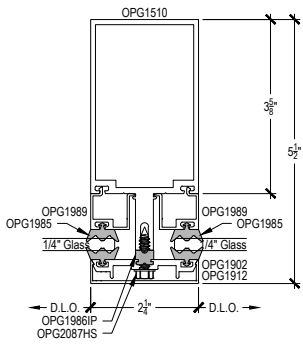
VERTICAL

4-3



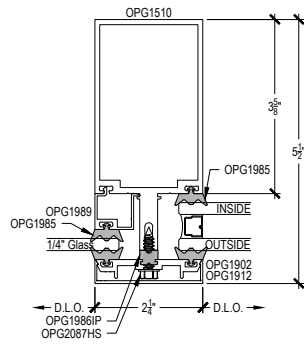
X-X NON-SPANDREL DETAIL

X-X SPANDREL DETAIL



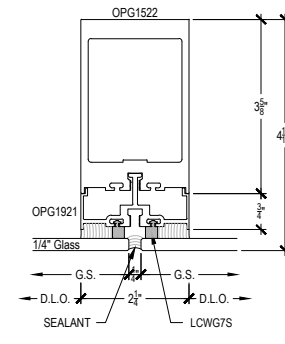
VERTICAL

4-4



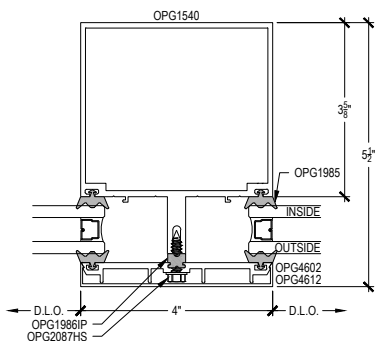
VERTICAL

4-5



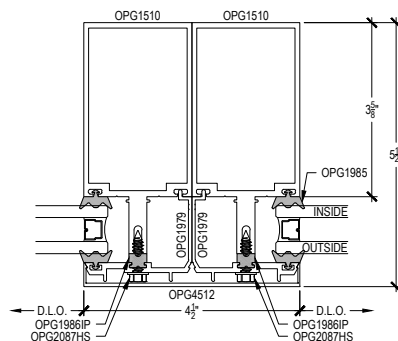
SSG VERTICAL

4-6



VERTICAL

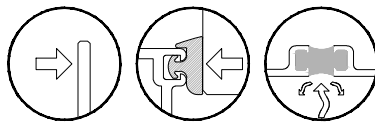
4-7



VERTICAL

4-8

NOTE:
SEE PARTS ID SHEETS FOR 'F'
& 'T' ANCHOR PARTS
NUMBERS TO EACH VERTICAL



Offset Glazed Side Load Thermal
Optional Projected Cover Caps Available

T500 (OPG1500) Series

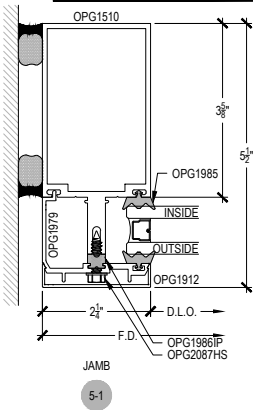
Description: 2 1/4" X 5 1/2" Glazed for 1/4" - 1-11/16" Glass

Function: Curtain Wall

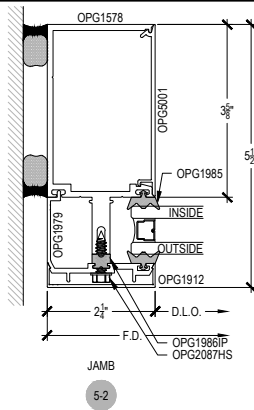
Detail: Jamb

Scale: 3" = 1'-0"

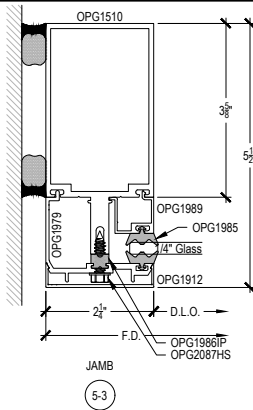
SHEET 3 OF 8



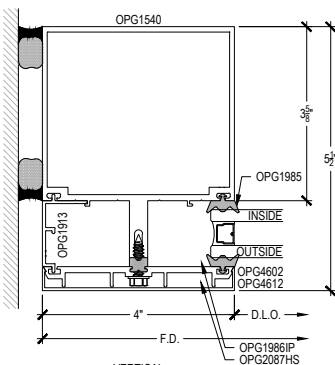
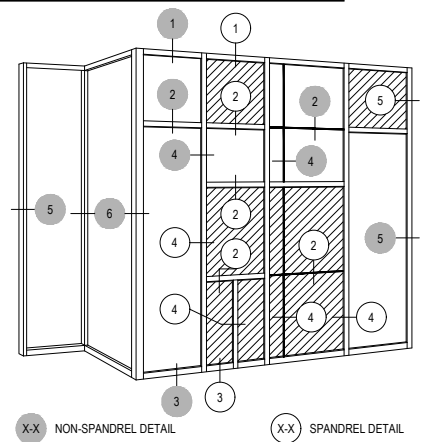
5-1



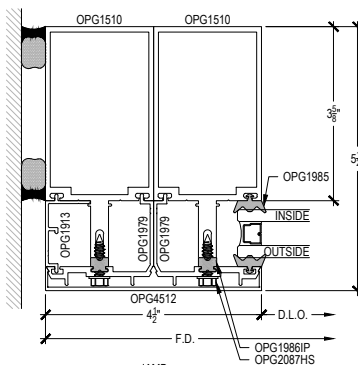
5-2



5-3

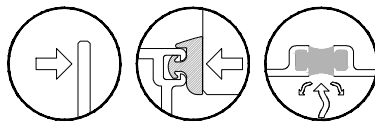


5-4



5-5

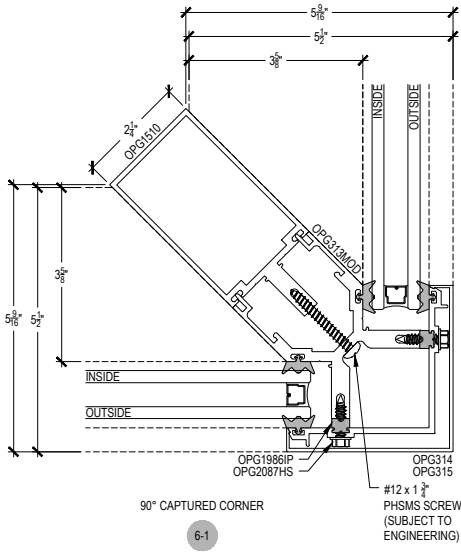
NOTE:
SEE PARTS ID SHEETS FOR "F"
& "T" ANCHOR PARTS
NUMBERS TO EACH VERTICAL



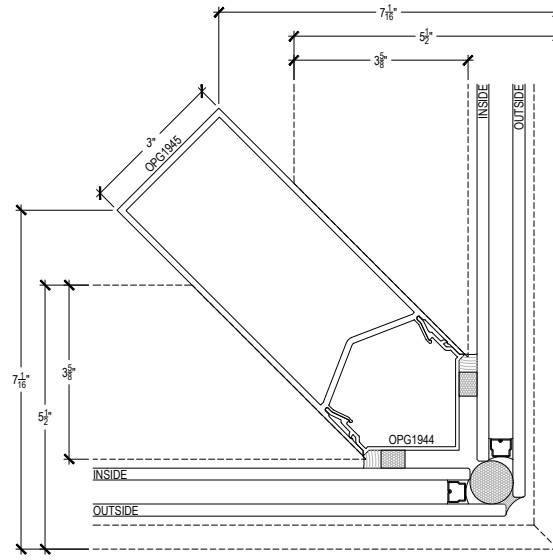
Offset Glazed Side Load Thermal
Optional Projected Cover Caps Available

T500 (OPG1500) Series

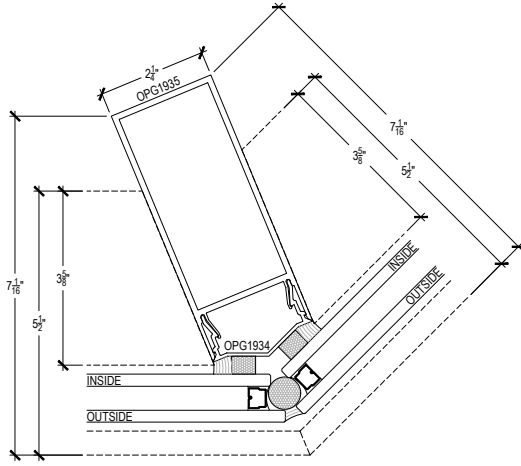
Description: 2 1/4" X 5 1/2" Glazed for 1/4" - 1-11/16" Glass
Function: Curtain Wall
Detail: Corners
Scale: 3" = 1'-0"



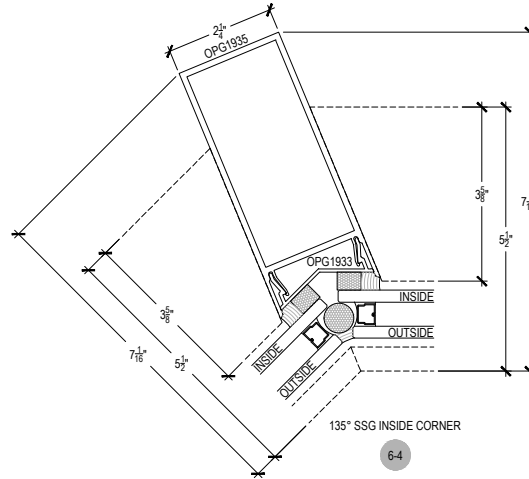
90° CAPTURED CORNER
6-1



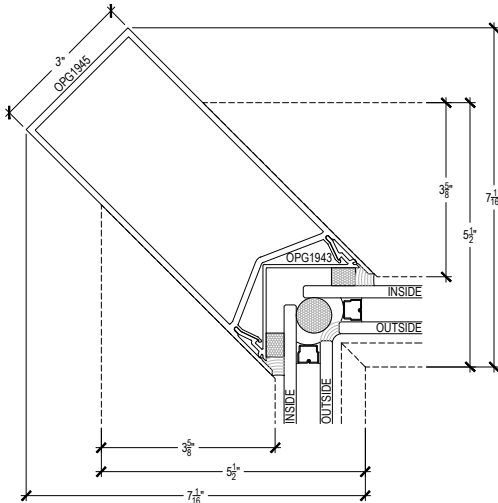
90° SSG OUTSIDE CORNER
6-2



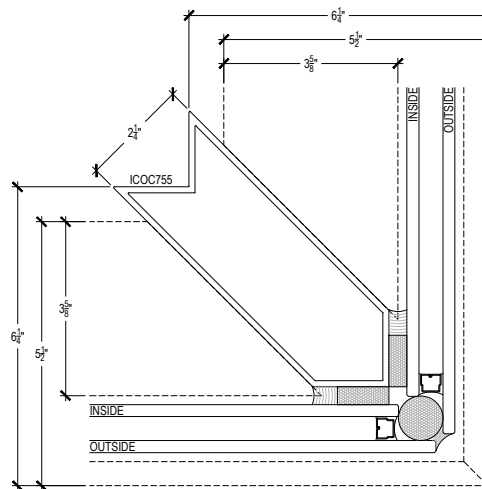
135° SSG OUTSIDE CORNER
6-3



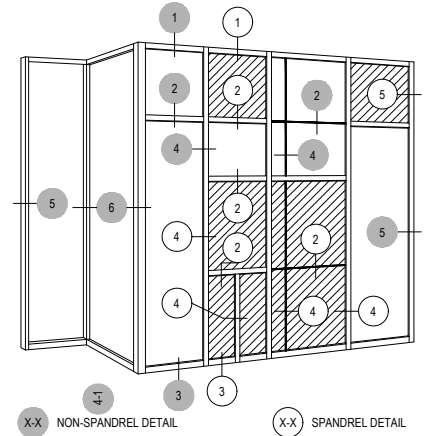
135° SSG INSIDE CORNER
6-4



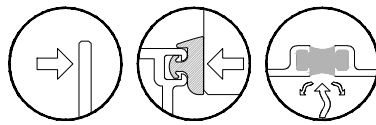
90° SSG INSIDE CORNER
6-5



90° SSG OUTSIDE CORNER
6-6



NOTE:
SEE PARTS ID SHEETS FOR "F"
& "T" ANCHOR PARTS
NUMBERS TO EACH VERTICAL



Offset Glazed Side Load Thermal
Optional Projected Cover Caps Available

T500 (OPG1500) Series

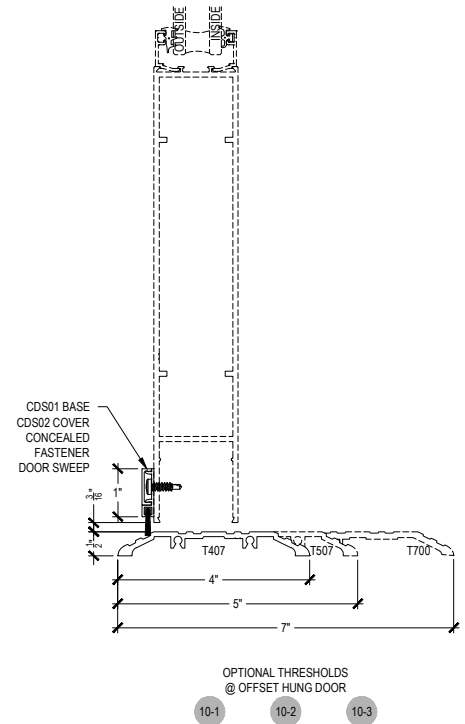
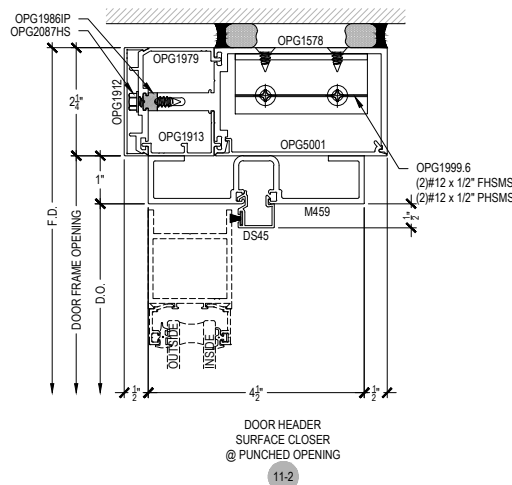
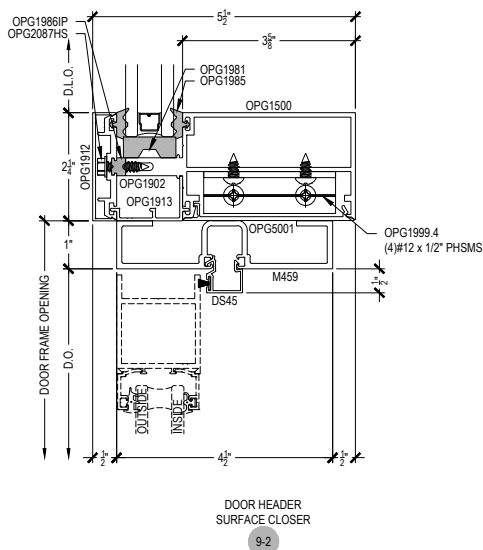
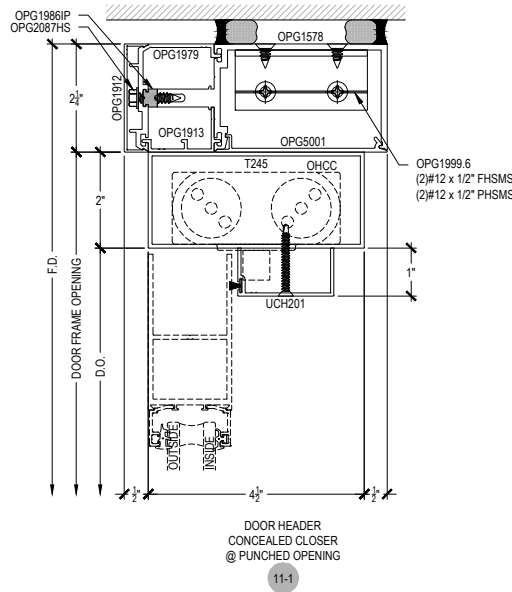
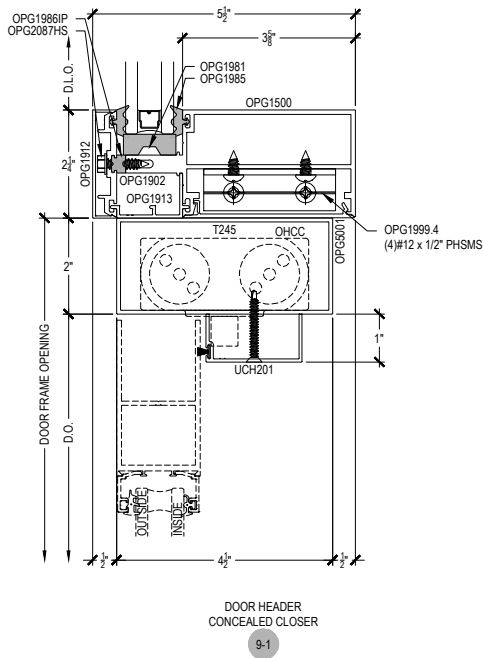
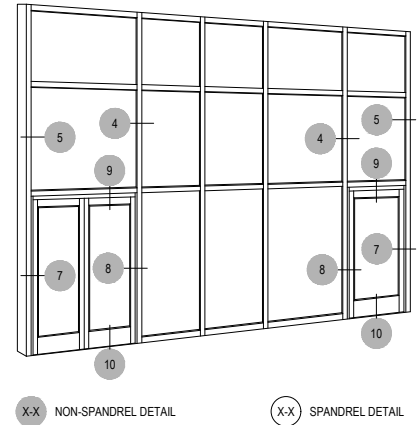
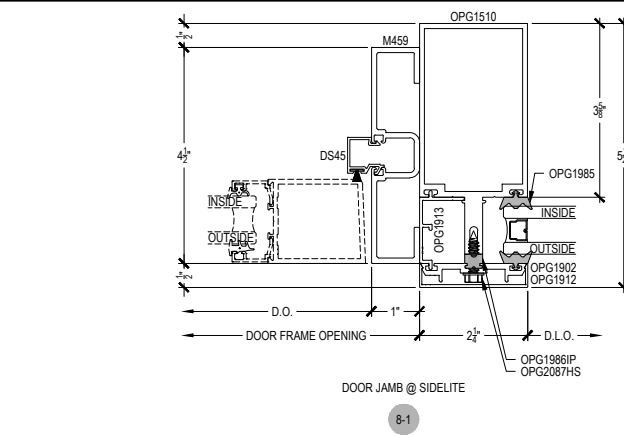
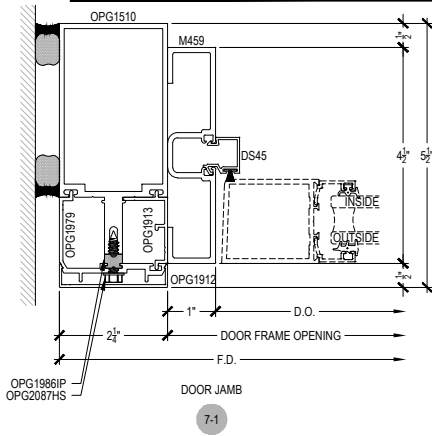
Description: 2 1/4" X 5 1/2" Glazed for 1/4" - 1-11/16" Glass

Function: Curtain Wall

Detail: Offset Hung Doors

Scale: 3" = 1'-0"

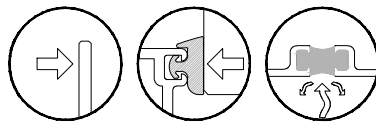
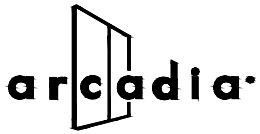
SHEET 5 OF 8



NOTE:
TYPICAL VERTICALS &
HORIZONTALS SHOWN IN
DOOR DETAILS. OPTIONAL
TO CHANGE OUT FOR
PROJECT SPECIFIC NEEDS.

NOTE:
SEE PARTS ID SHEETS FOR "F"
& "T" ANCHOR PARTS

NOTE:
FOR ALL DOOR OPTIONS SEE
THE ENTRANCE SECTION OF
ARCADIA, INC. WEBSITE.



Offset Glazed Side Load Thermal
Optional Projected Cover Caps Available

T500 (OPG1500) Series

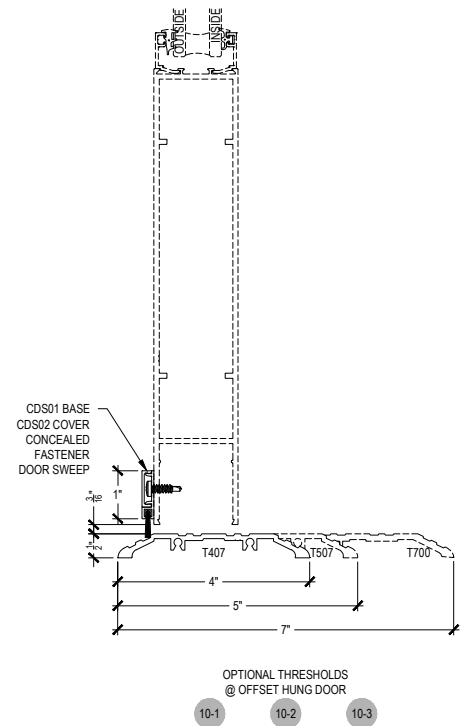
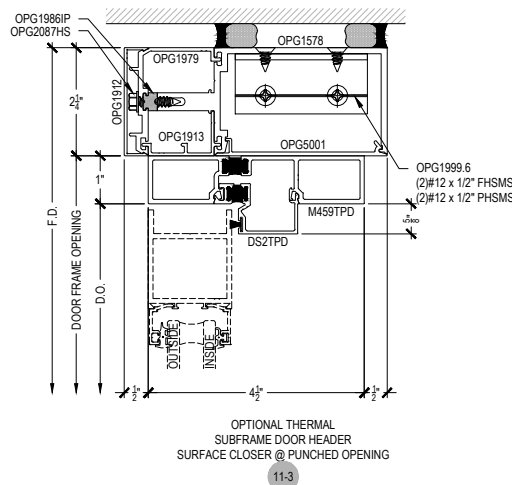
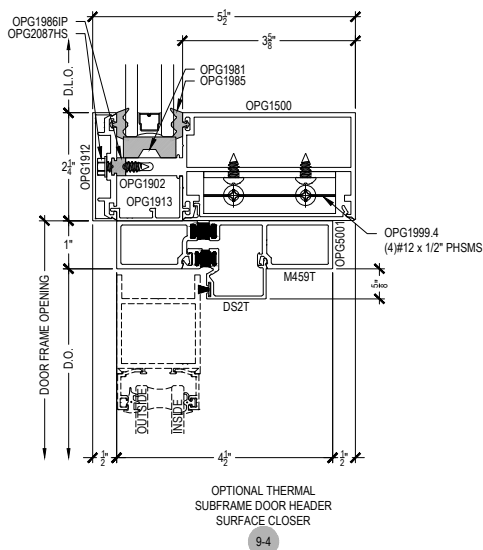
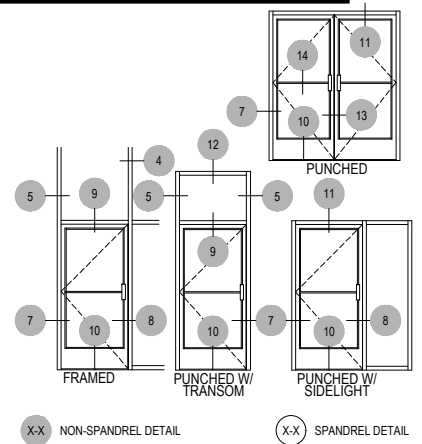
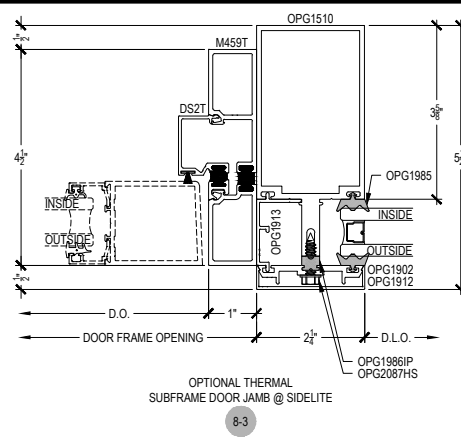
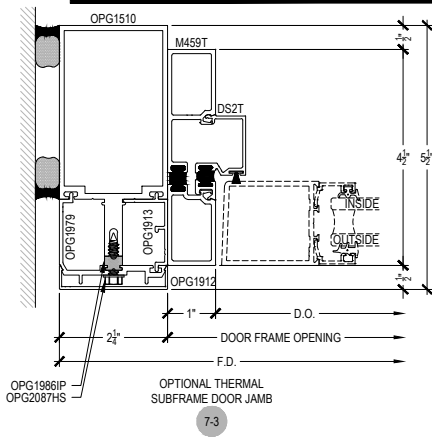
Description: 2 1/4" X 5 1/2" Glazed for 1/4" - 1-11/16" Glass

Function: Curtain Wall

Detail: Offset Hung Doors & Options

Scale: 3" = 1'-0"

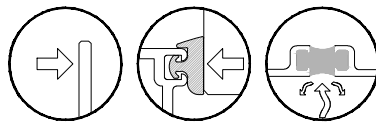
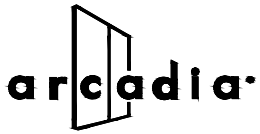
SHEET 6 OF 8



NOTE:
TYPICAL VERTICALS & HORIZONTALS SHOWN IN DOOR DETAILS. OPTIONAL TO CHANGE OUT FOR PROJECT SPECIFIC NEEDS.

NOTE:
SEE PARTS ID SHEETS FOR "F" & "T" ANCHOR PARTS

NOTE:
FOR ALL DOOR OPTIONS SEE THE ENTRANCE SECTION OF ARCADIA, INC. WEBSITE.

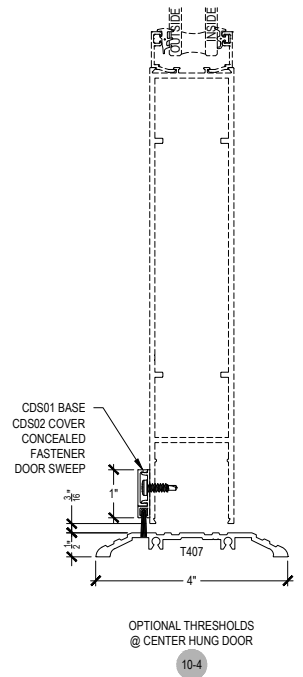
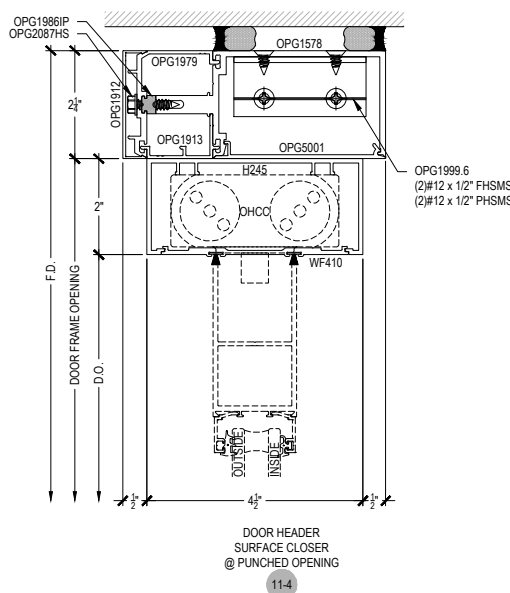
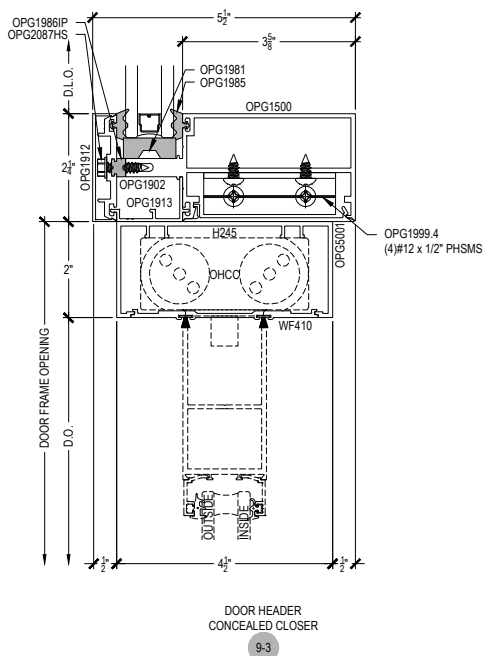
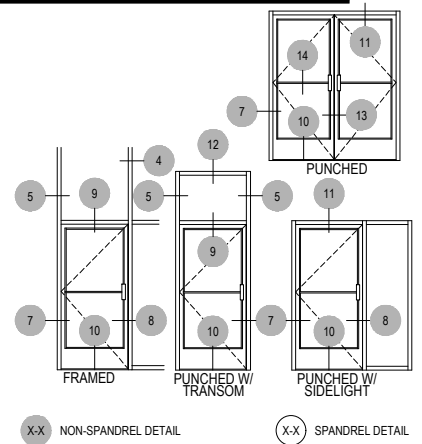
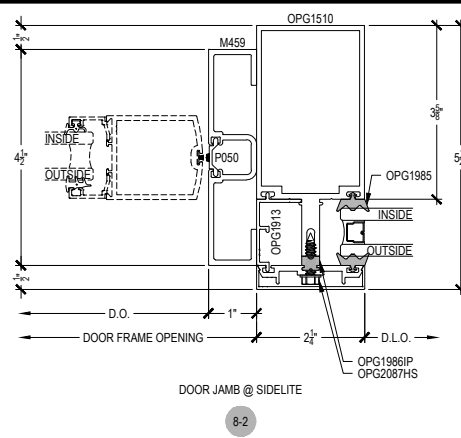
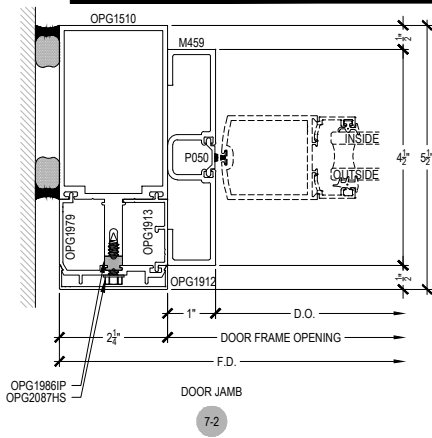


Offset Glazed Side Load Thermal
Optional Projected Cover Caps Available

T500 (OPG1500) Series

Description: 2 1/4" X 5 1/2" Glazed for 1/4" - 1-11/16" Glass
Function: Curtain Wall
Detail: Center Hung Doors
Scale: 3" = 1'-0"

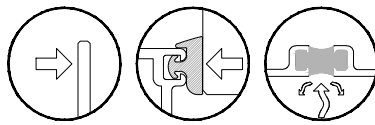
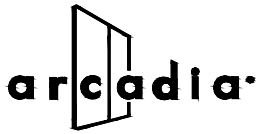
SHEET 7 OF 8



NOTE: TYPICAL VERTICALS & HORIZONTALS SHOWN IN DOOR DETAILS. OPTIONAL TO CHANGE OUT FOR PROJECT SPECIFIC NEEDS.

NOTE: SEE PARTS ID SHEETS FOR "F" & "T" ANCHOR PARTS

NOTE: FOR ALL DOOR OPTIONS SEE THE ENTRANCE SECTION OF ARCADIA, INC. WEBSITE.



Offset Glazed Side Load Thermal
Optional Projected Cover Caps Available

T500 (OPG1500) Series

Description: 2 1/4" X 5 1/2" Glazed for 1/4" - 1-11/16" Glass
Function: Curtain Wall
Detail: Optional Glazing
Scale: 3" = 1'-0"

