



# 2820T Series

Description: Sliding Doors

Function: Entrances

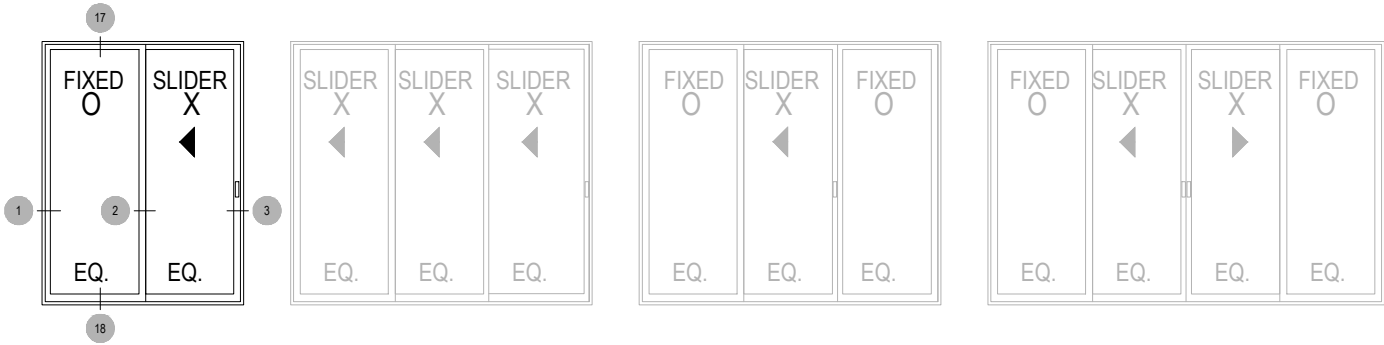
Detail: Vertical Stiles

Scale: 6" = 1'-0"

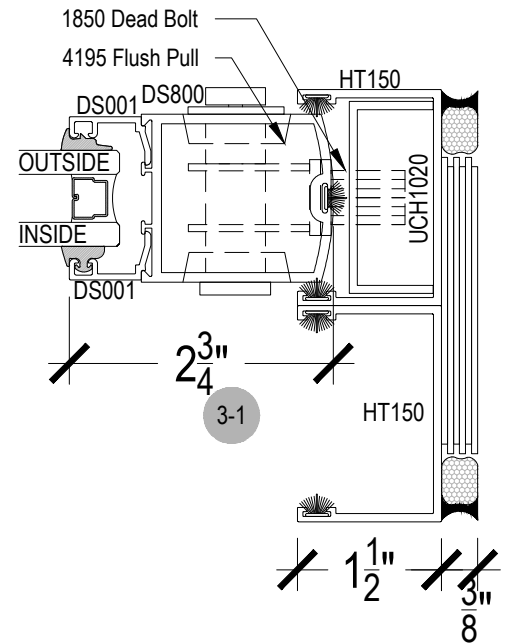
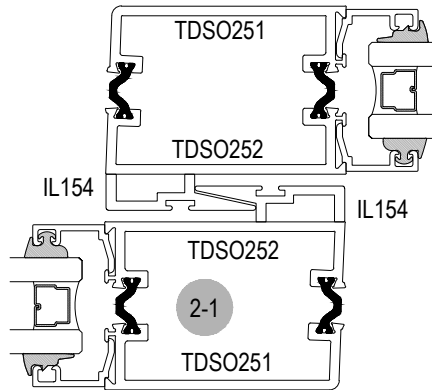
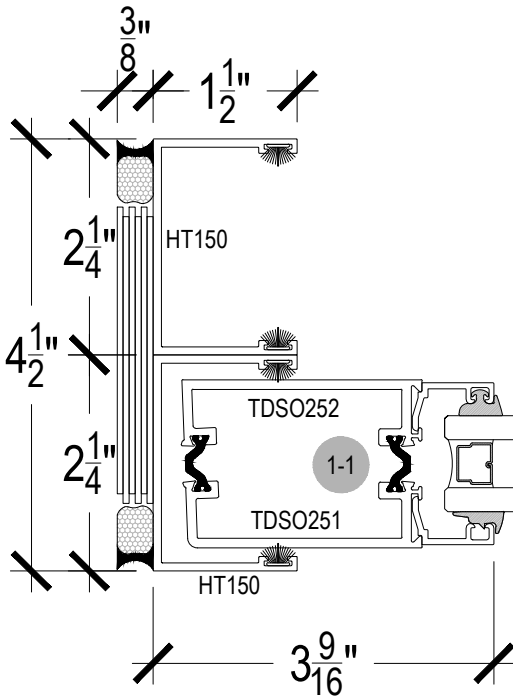
42" A.F.F. TO CENTER OF PULL/PUSH

34" TO CENTER OF LOCKSET

SHEET 1 OF 8



EXTERIOR ELEVATION  
N.T.S.





# 2820T Series

Description: Sliding Doors

Function: Entrances

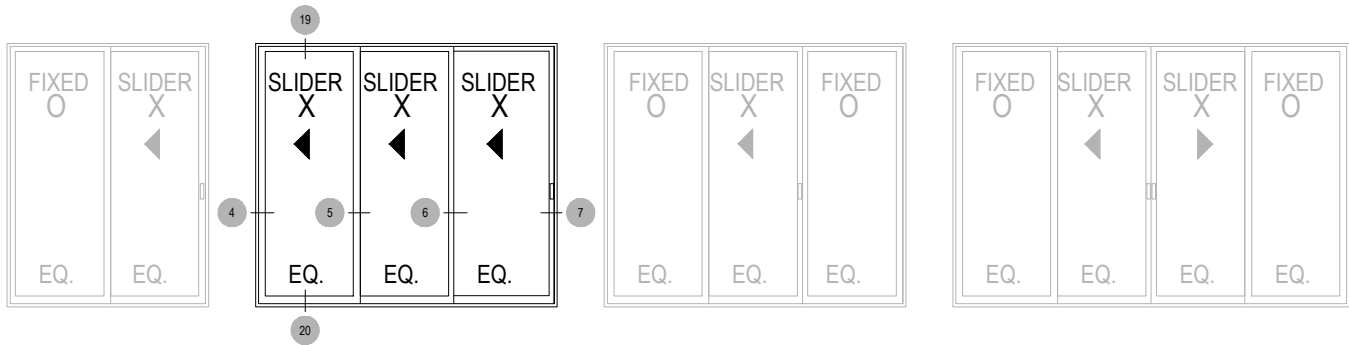
Detail: Vertical Stiles

Scale: 6" = 1'-0"

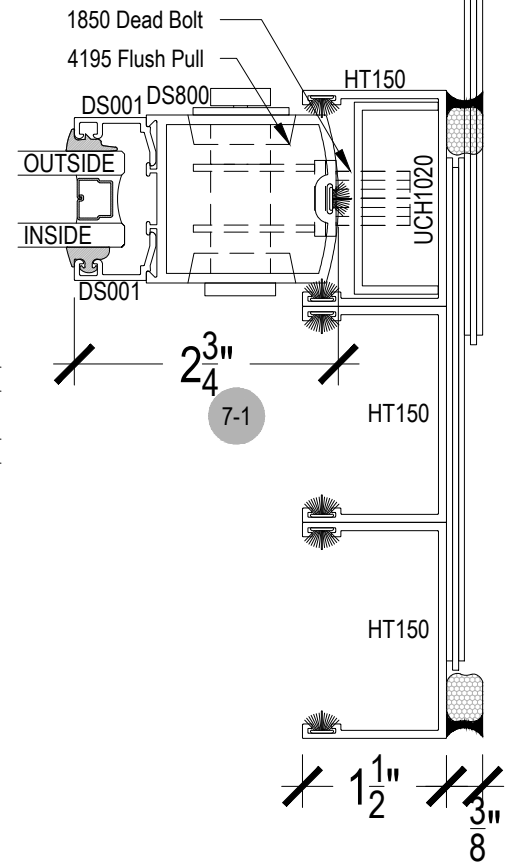
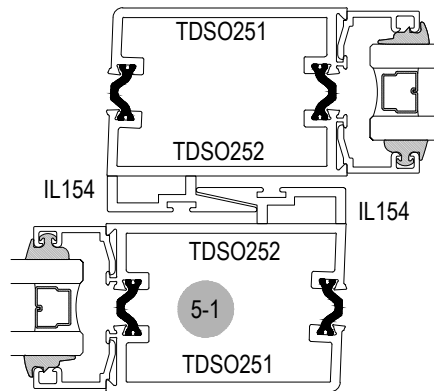
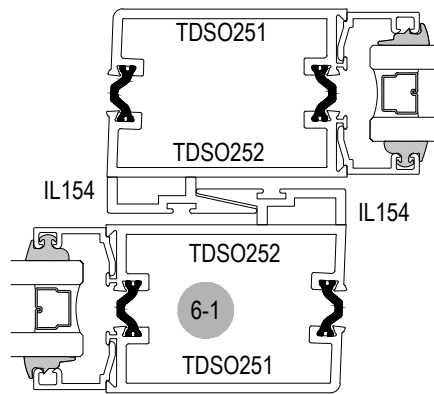
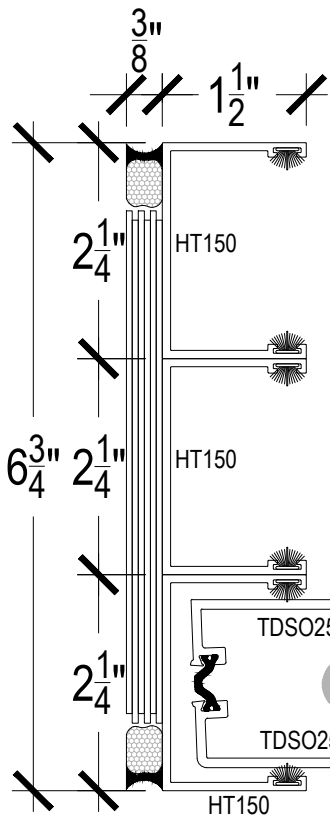
42" A.F.F. TO CENTER OF PULL/PUSH

34" TO CENTER OF LOCKSET

SHEET 2 OF 8



EXTERIOR ELEVATION  
N.T.S.





# 2820T Series

Description: Sliding Doors

Function: Entrances

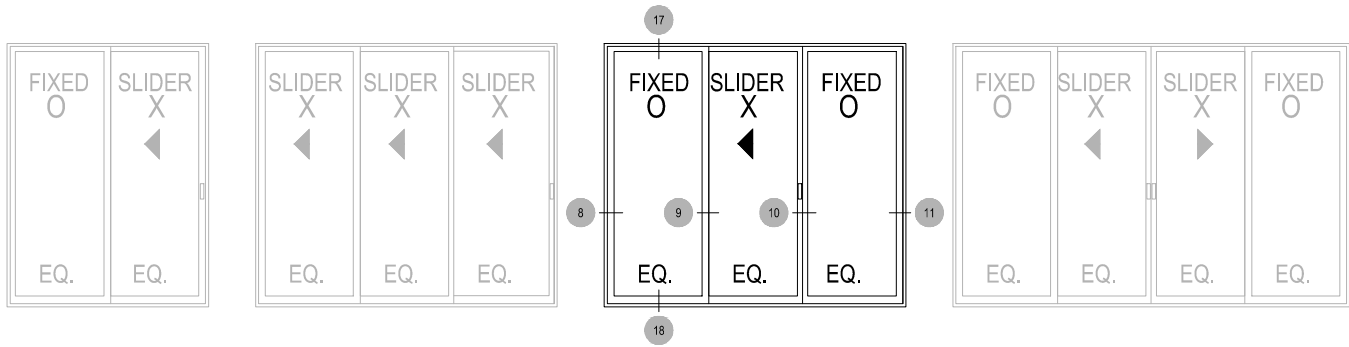
Detail: Vertical Stiles

Scale: 6" = 1'-0"

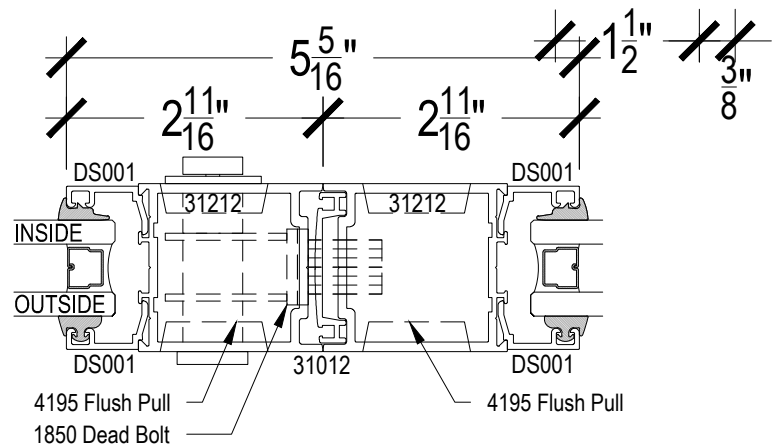
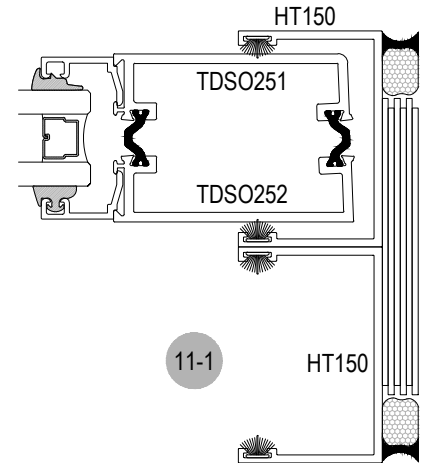
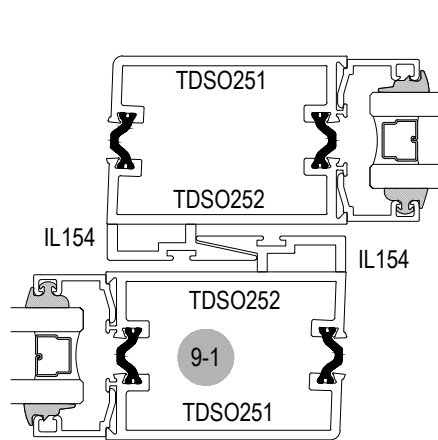
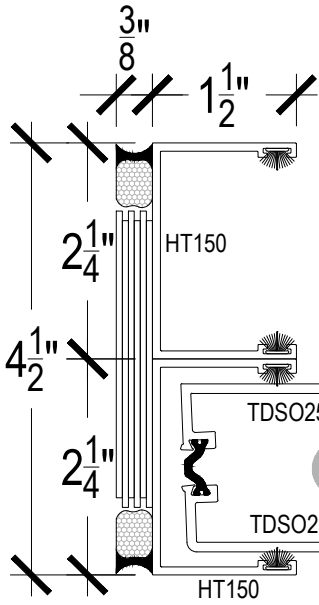
42" A.F.F. TO CENTER OF PULL/PUSH

34" TO CENTER OF LOCKSET

SHEET 3 OF 8



EXTERIOR ELEVATION  
N.T.S.





# 2820T Series

Description: Sliding Doors

Function: Entrances

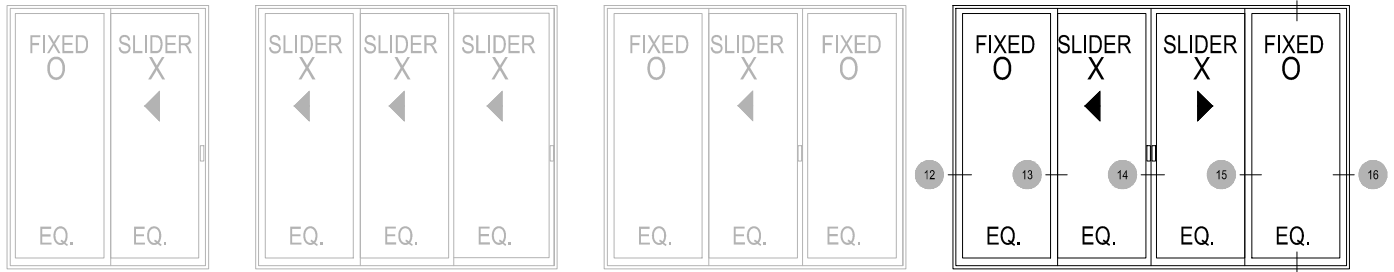
Detail: Vertical Stiles

Scale: 6" = 1'-0"

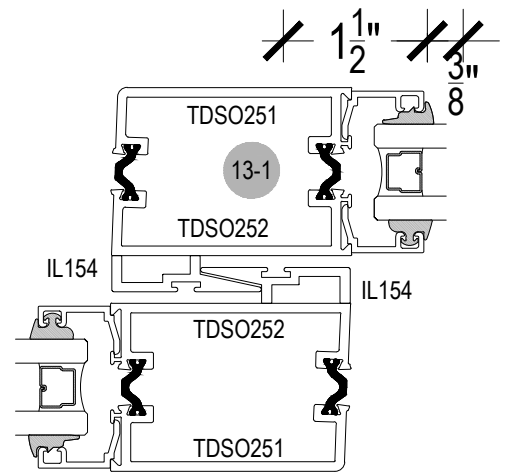
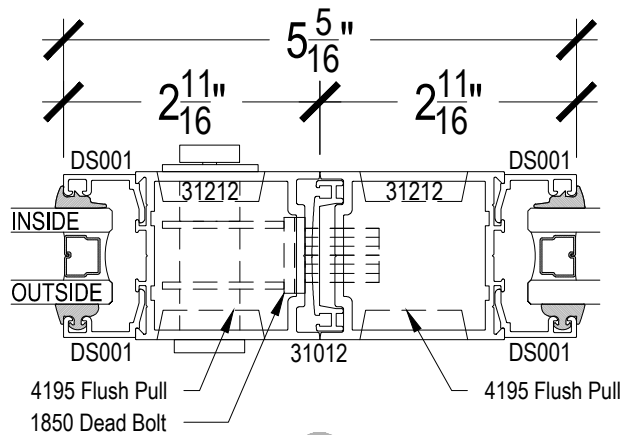
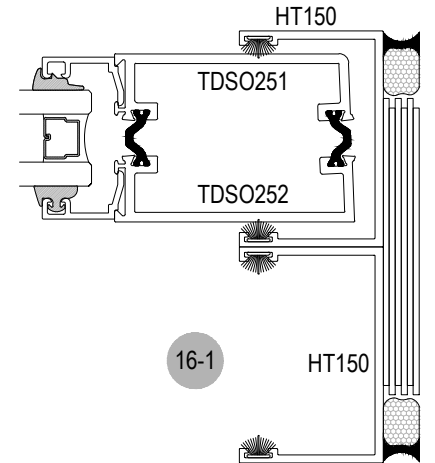
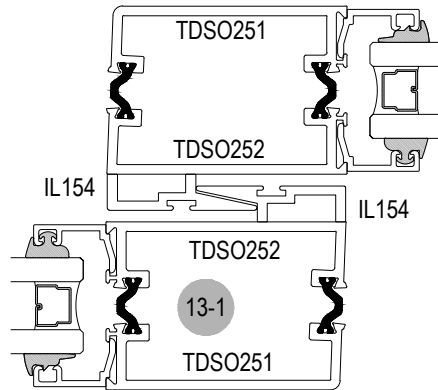
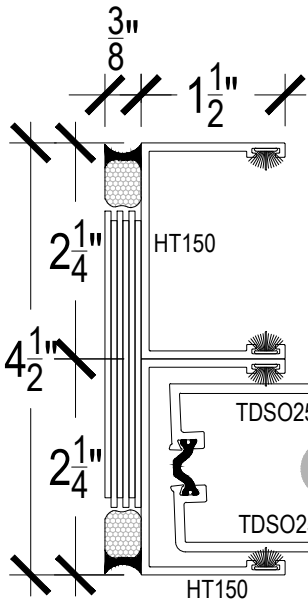
42" A.F.F. TO CENTER OF PULL/PUSH

34" TO CENTER OF LOCKSET

SHEET 4 OF 8



EXTERIOR ELEVATION  
N.T.S.

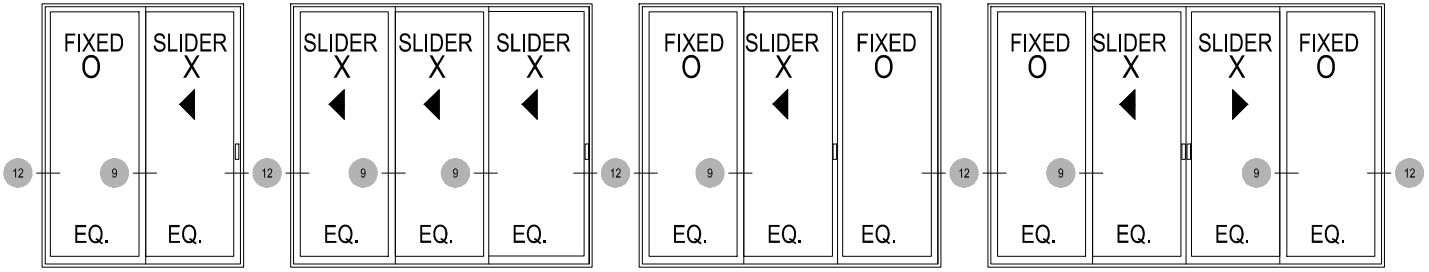




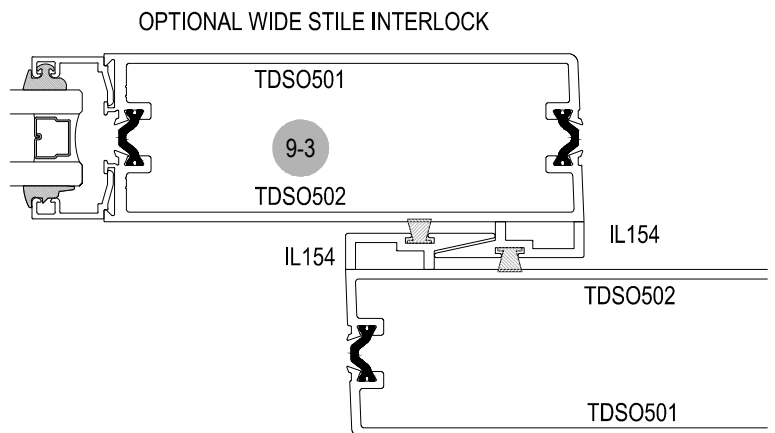
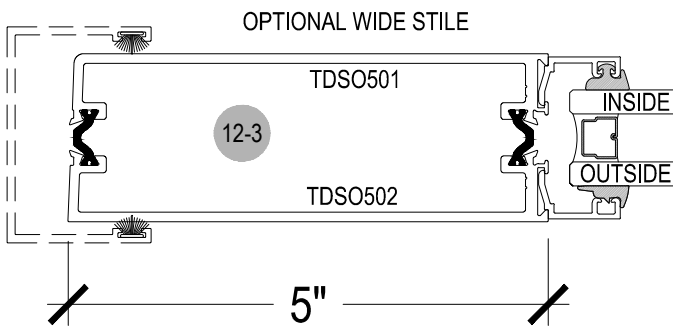
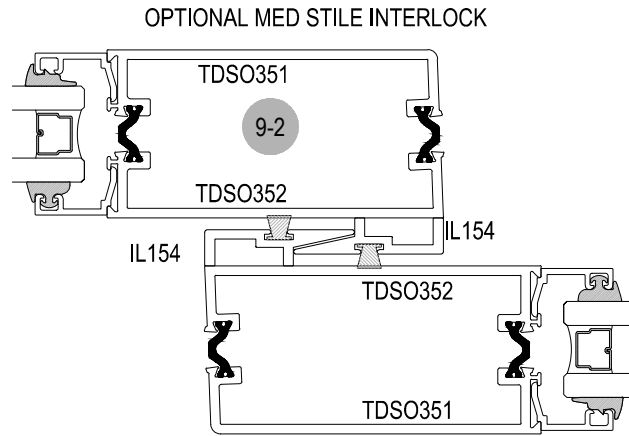
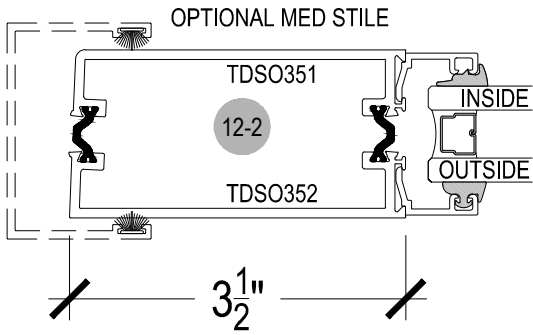
# 2820T Series

Description: Sliding Doors  
 Function: Entrances  
 Detail: Optional Vertical Stiles  
 Scale: 6" = 1'-0"

42" A.F.F. TO CENTER OF PULL/PUSH  
 34" TO CENTER OF LOCKSET



EXTERIOR ELEVATION  
 N.T.S.





# 2820T Series

Description: Sliding Doors

Function: Entrances

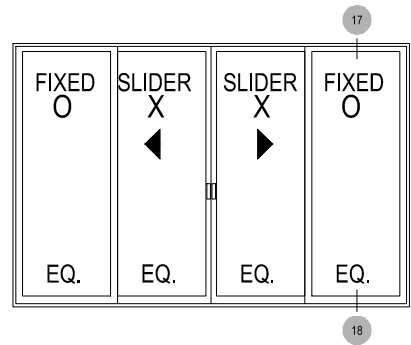
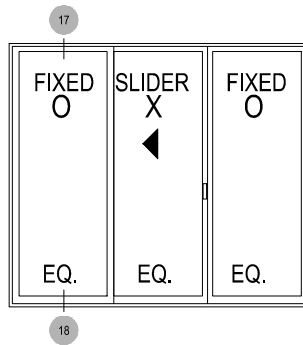
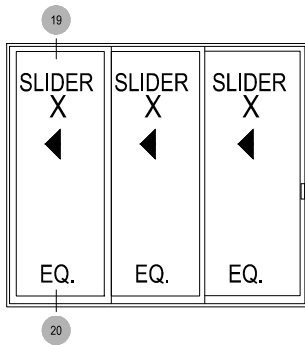
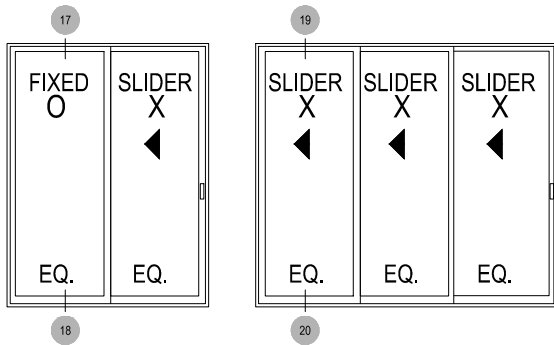
Detail: Horizontal Stiles

Scale: 6" = 1'-0"

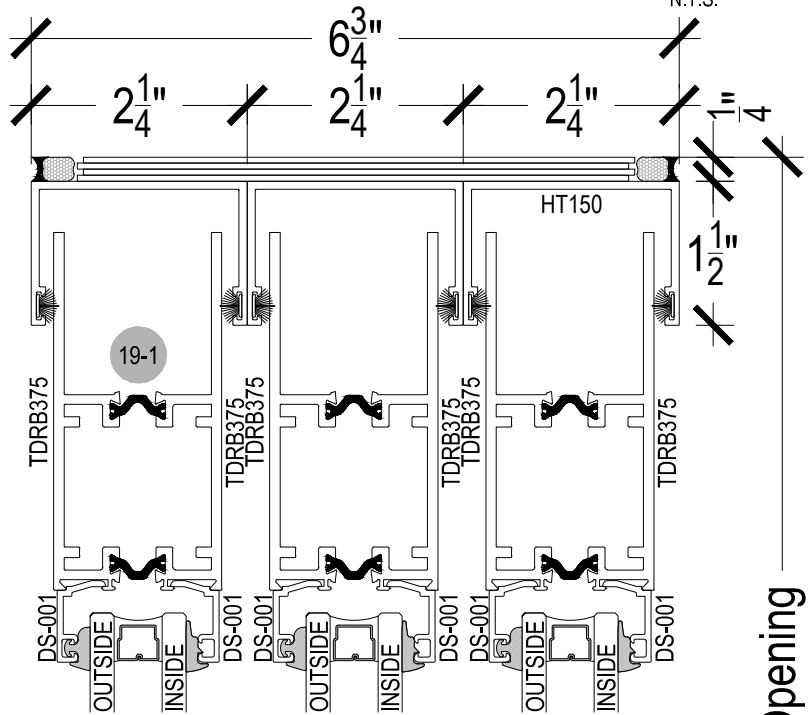
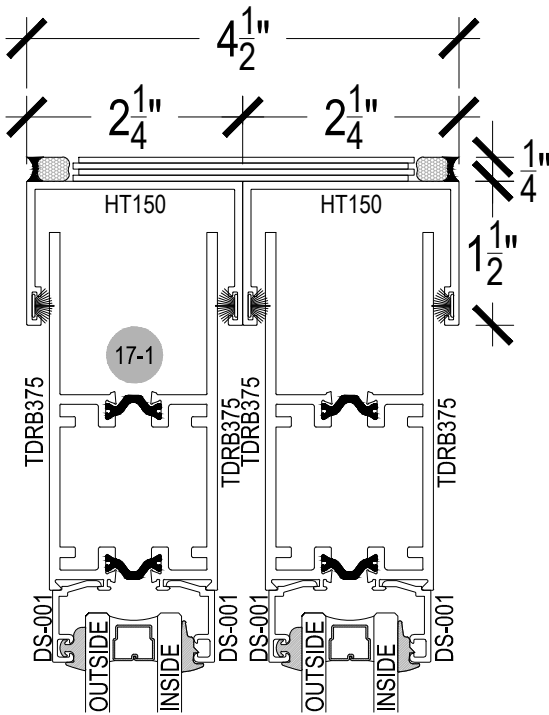
42" A.F.F. TO CENTER OF PULL/PUSH

34" TO CENTER OF LOCKSET

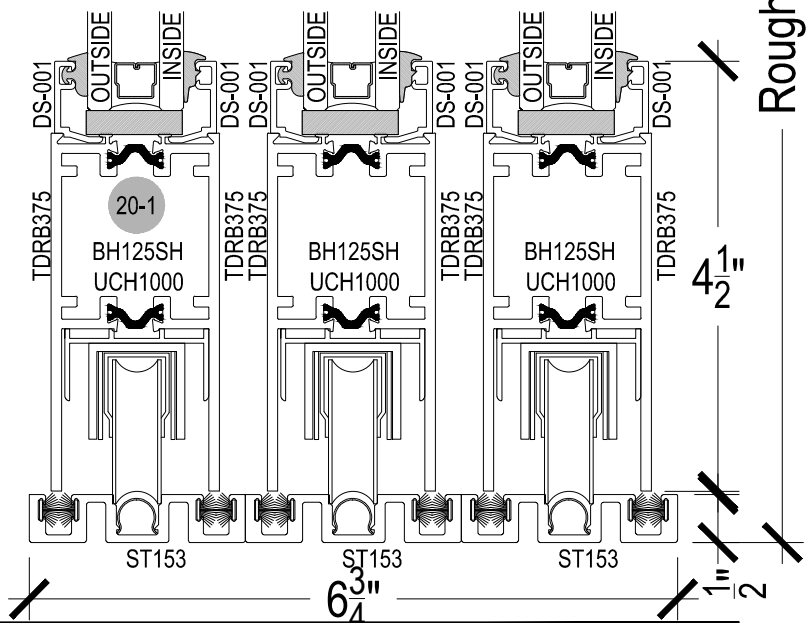
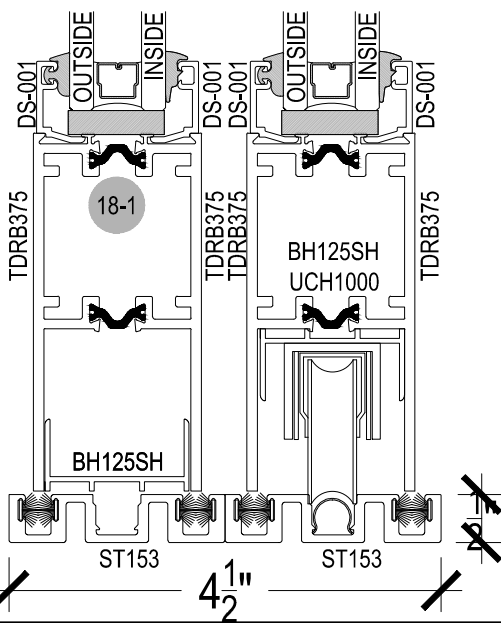
SHEET 6 OF 8



EXTERIOR ELEVATION  
N.T.S.



Rough Opening





# 2820T Series

Description: Sliding Doors

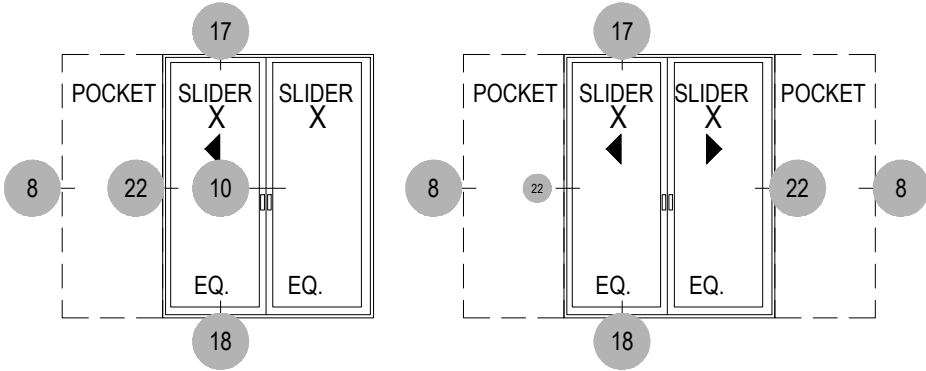
Function: Entrances

Detail: Pocket Options

Scale: 6" = 1'-0"

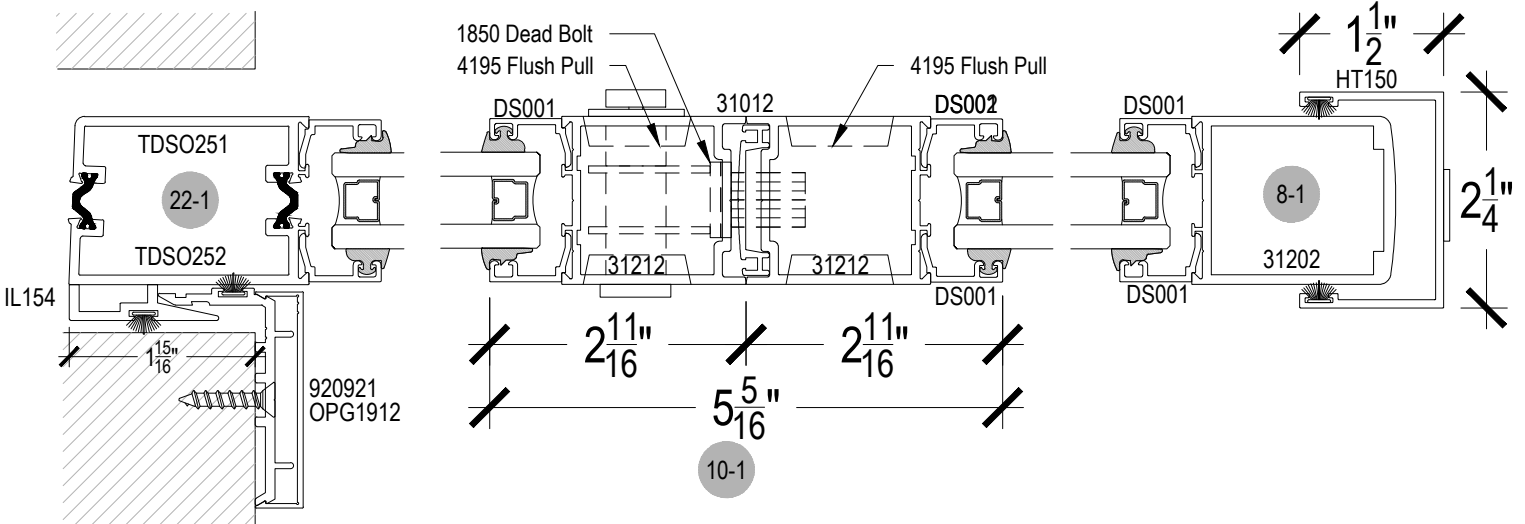
42" A.F.F. TO CENTER OF PULL/PUSH

34" TO CENTER OF LOCKSET

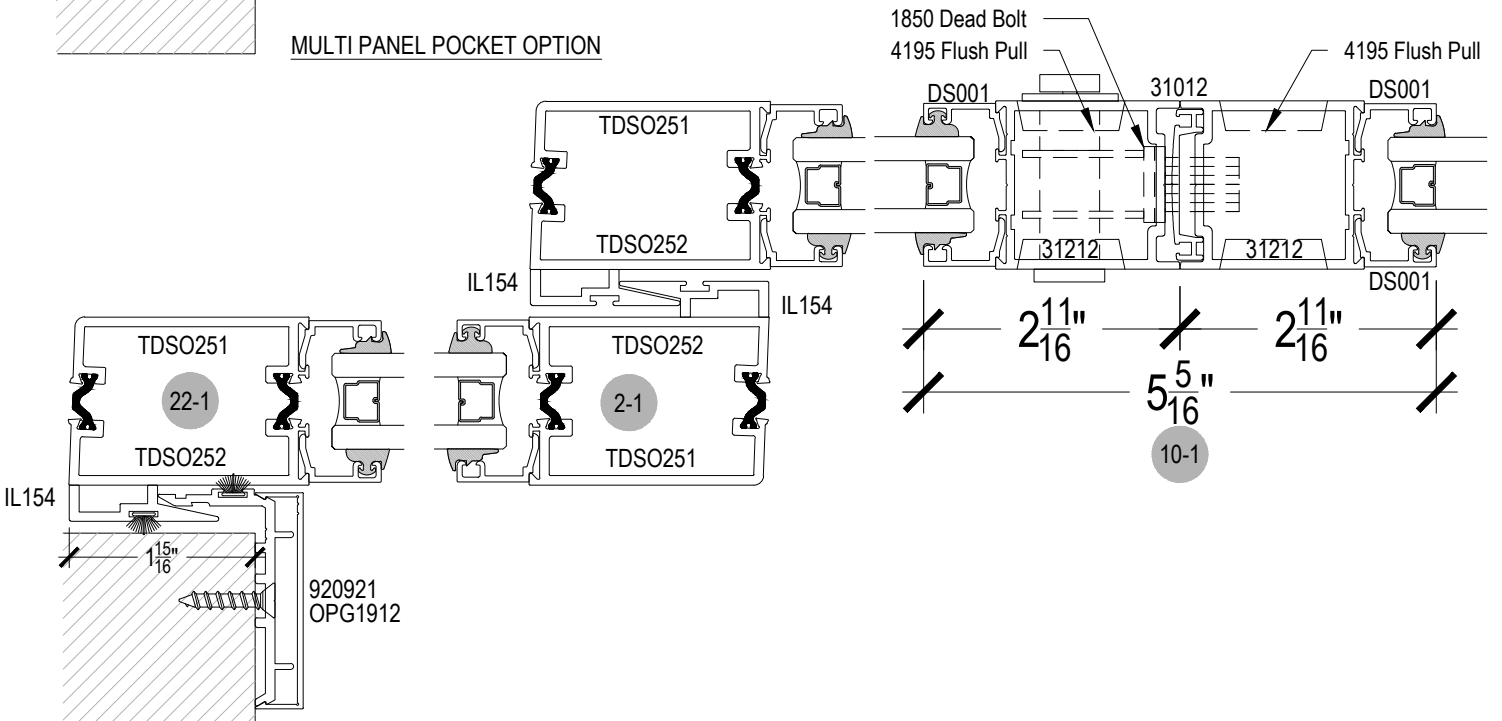


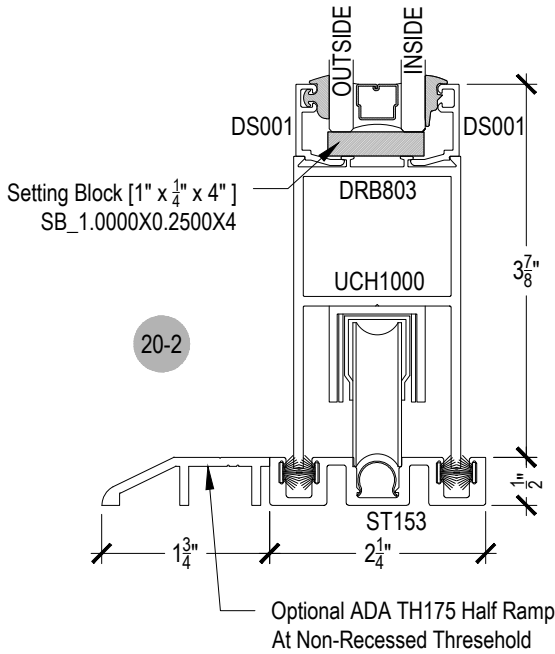
EXTERIOR ELEVATION  
N.T.S.

SINGLE POCKET OPTION

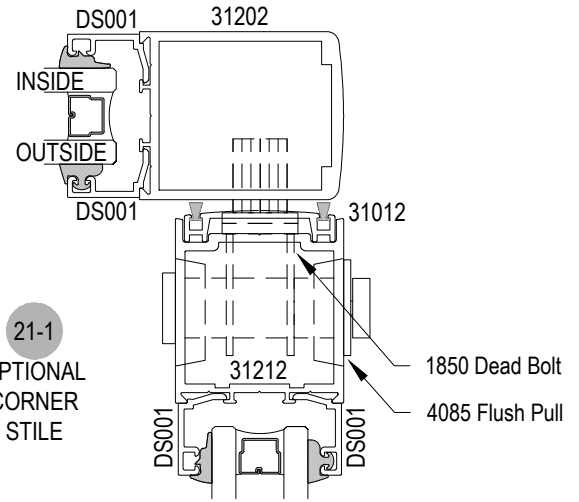
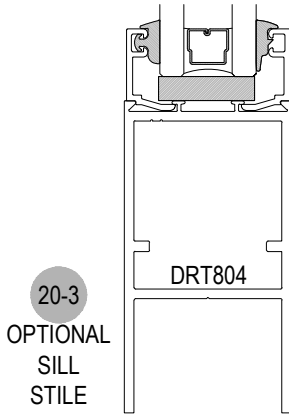


MULTI PANEL POCKET OPTION





20-2

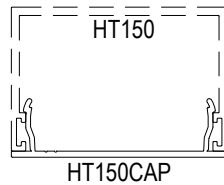
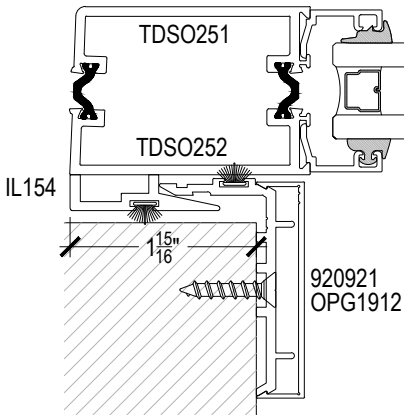


OPTIONAL TRACK

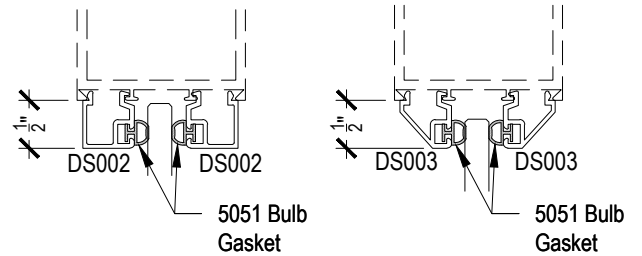


POCKET OPTION

OPTIONAL HEAD/JAMB FILLER



OPTIONAL GLASS STOP FOR 1/4" OR 1" GLASS



ROLLER OPTIONS

OPTIONAL HORIZONTAL MUNTIN

