

Offset Glazed    Side Load    Thermal  
Optional Projected Cover Caps Available

# T500 (OPG31075STC) Series

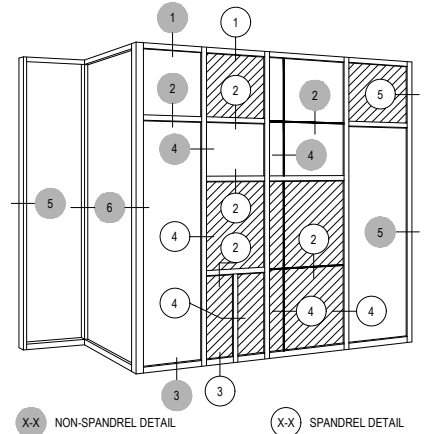
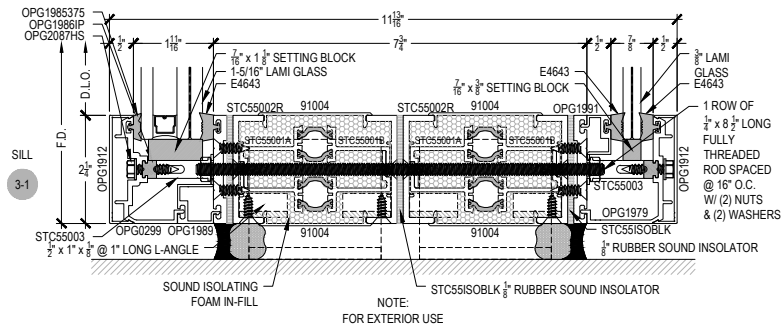
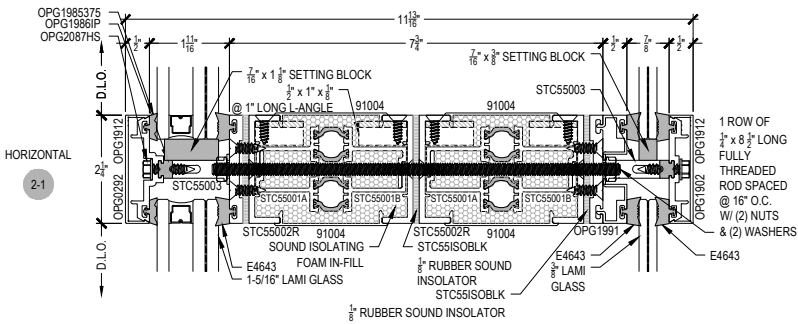
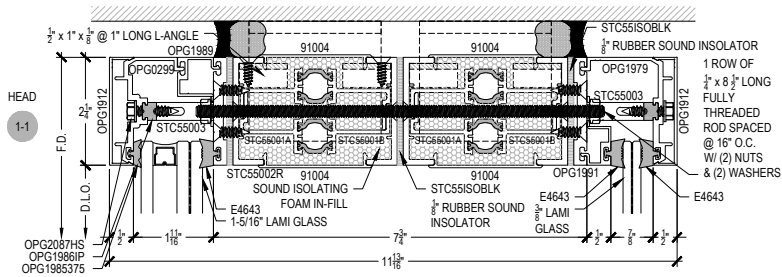
Description: 2 1/4" X 11 13/16" Glazed for 3/8", 1-5/16" Lami Glass

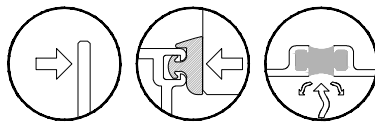
Function: Curtain Wall - Exterior Use

Detail: Heads, Horizontals, Sills

Scale: 3" = 1'-0"

SHEET 1 OF 8



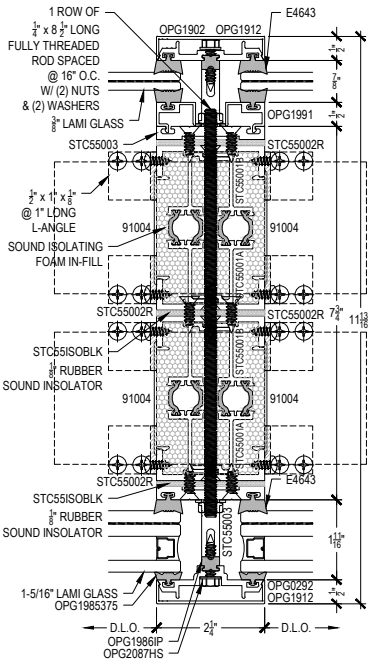


Offset Glazed    Side Load    Thermal  
Optional Projected Cover Caps Available

# T500 (OPG31075STC) Series

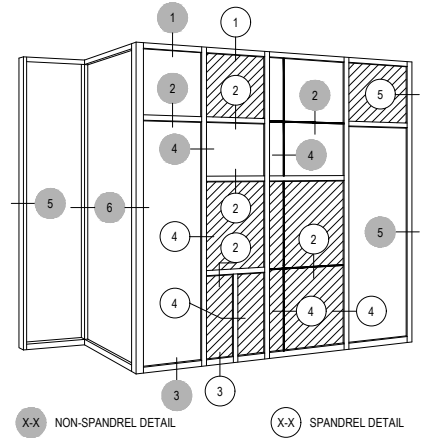
Description: 2 1/4" X 11 13/16" Glazed for 3/8", 1-5/16" Lami Glass  
Function: Curtain Wall - Exterior Use  
Detail: Verticals  
Scale: 3" = 1'-0"

SHEET 2 OF 8

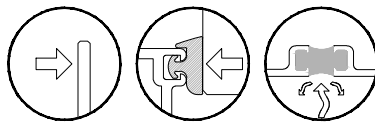
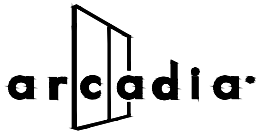


VERTICAL  
4-1

NOTE:  
FOR EXTERIOR USE



NOTE:  
SEE PARTS ID SHEETS FOR 'F'  
& 'T' ANCHOR PARTS  
NUMBERS TO EACH VERTICAL

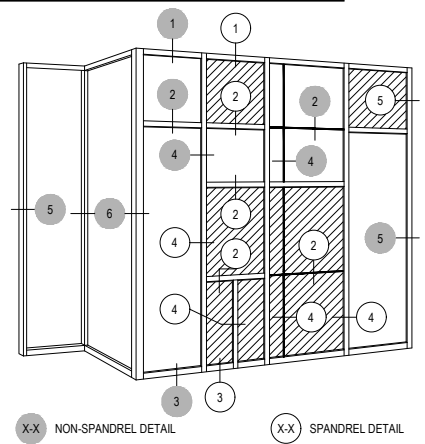
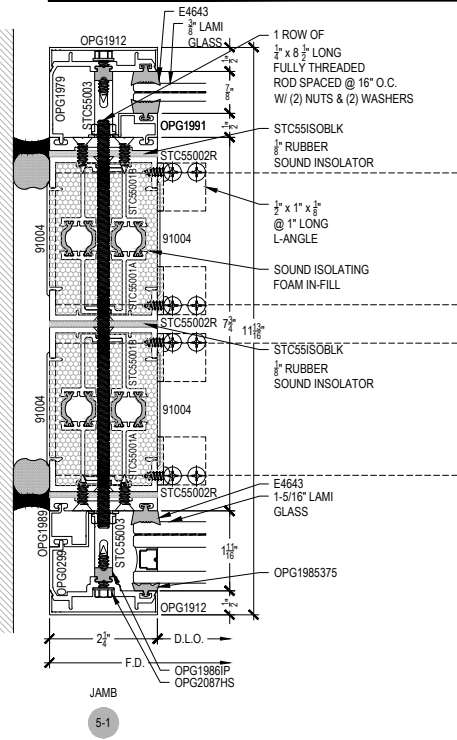


Offset Glazed    Side Load    Thermal  
Optional Projected Cover Caps Available

# T500 (OPG31075STC) Series

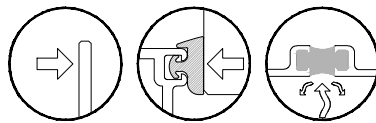
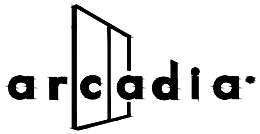
Description: 2 1/4" X 11 13/16" Glazed for 3/8", 1-5/16" Lami Glass  
Function: Curtain Wall - Exterior Use  
Detail: Jamb  
Scale: 3" = 1'-0"

SHEET 3 OF 8



NOTE:  
FOR EXTERIOR USE

NOTE:  
SEE PARTS ID SHEETS FOR 'F'  
& 'T' ANCHOR PARTS  
NUMBERS TO EACH VERTICAL



Offset Glazed    Side Load    Thermal  
Optional Projected Cover Caps Available

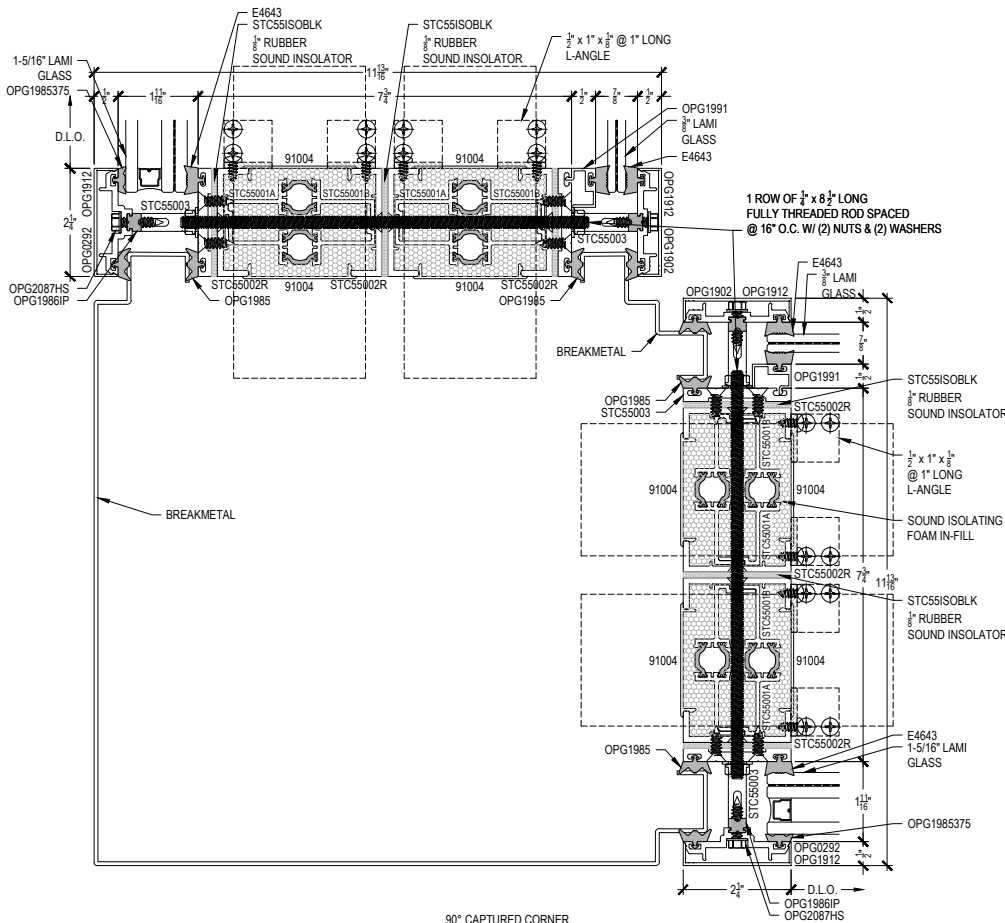
# T500 (OPG31075STC) Series

Description: 2 1/4" X 11 13/16" Glazed for 3/8", 1-5/16" Lami Glass  
Function: Curtain Wall - Exterior Use

Detail: Corners

Scale: 3" = 1'-0"

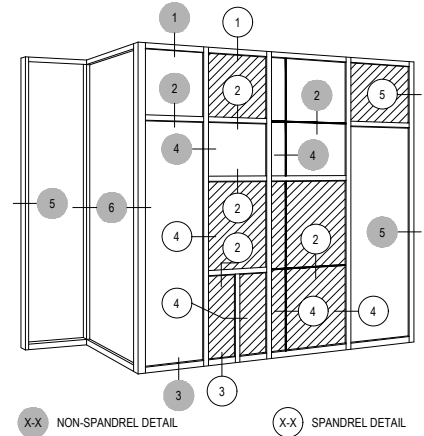
SHEET 4 OF 8



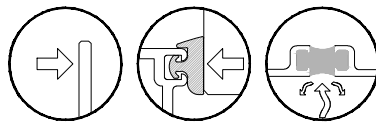
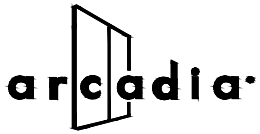
90° CAPTURED CORNER



NOTE:  
FOR EXTERIOR USE



NOTE:  
SEE PARTS ID SHEETS FOR 'F'  
& 'T' ANCHOR PARTS  
NUMBERS TO EACH VERTICAL



Offset Glazed    Side Load    Thermal  
Optional Projected Cover Caps Available

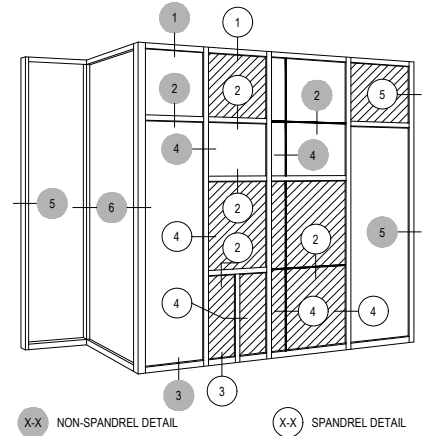
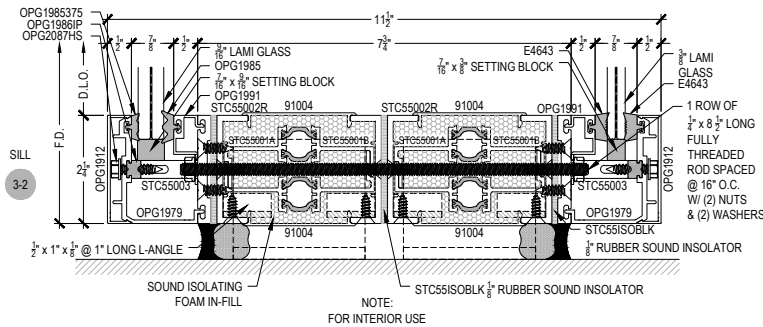
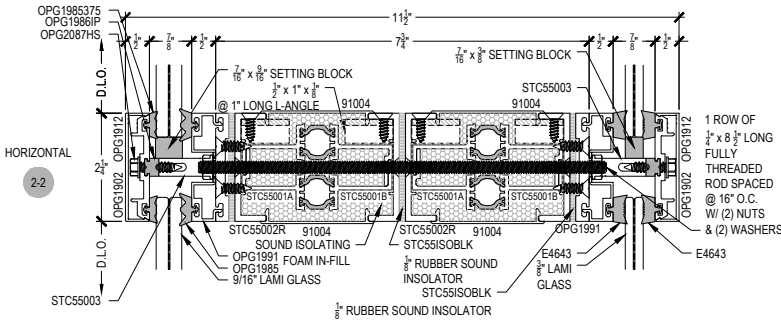
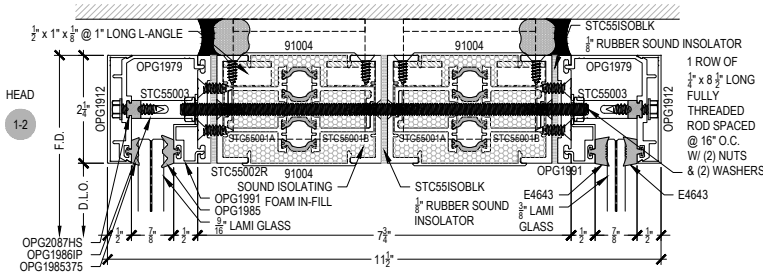
# T500 (OPG31075STC) Series

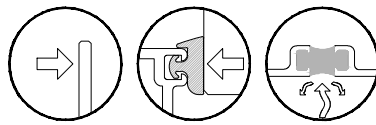
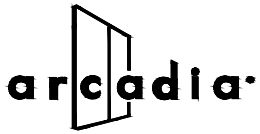
Description: 2 1/4" X 11 1/2" Glazed for 3/8", 9/16" Lami Glass  
Function: Curtain Wall - Interior Use

Detail: Heads, Horizontals, Sills

Scale: 3" = 1'-0"

SHEET 5 OF 8





Offset Glazed    Side Load    Thermal  
Optional Projected Cover Caps Available

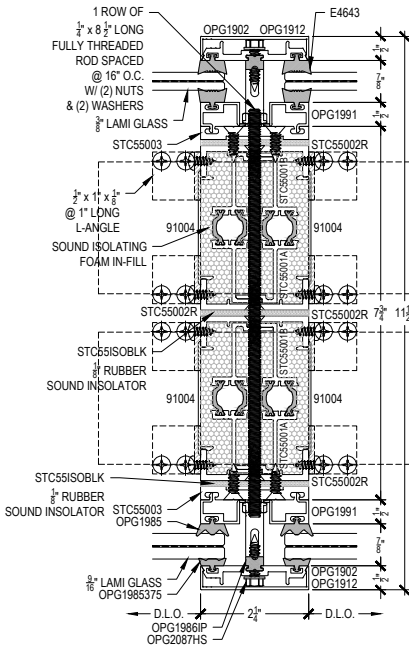
# T500 (OPG31075STC) Series

Description: 2 1/4" X 11 1/2" Glazed for 3/8", 9/16" Lami Glass  
Function: Curtain Wall - Interior Use

Detail: Verticals

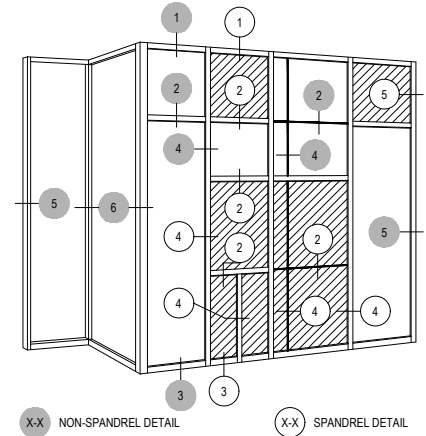
Scale: 3" = 1'-0"

SHEET 6 OF 8

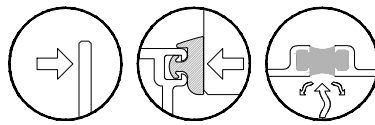
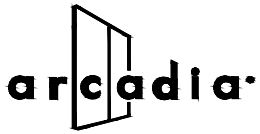


VERTICAL  
4-2

NOTE:  
FOR INTERIOR USE



NOTE:  
SEE PARTS ID SHEETS FOR "F"  
& "T" ANCHOR PARTS  
NUMBERS TO EACH VERTICAL



Offset Glazed      Side Load      Thermal  
Optional Projected Cover Caps Available

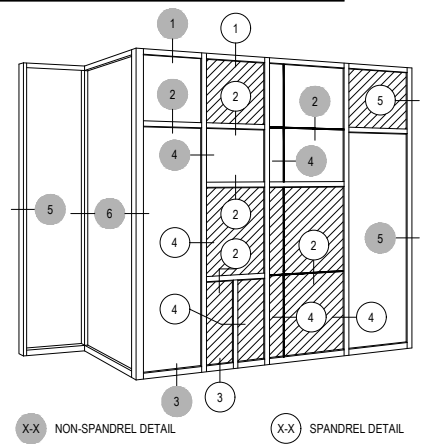
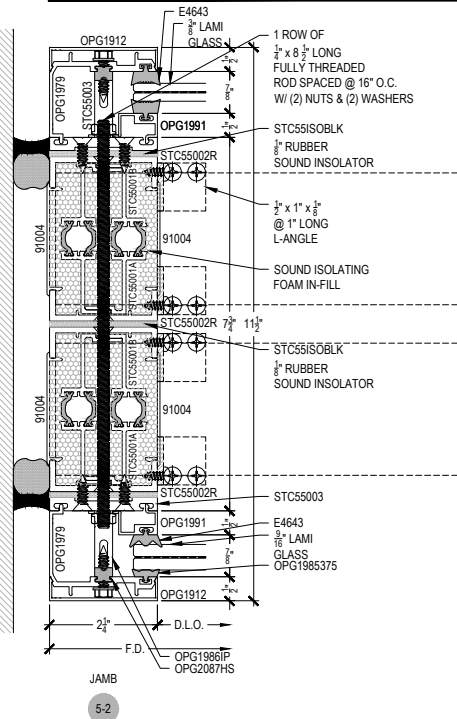
# T500 (OPG31075STC) Series

Description: 2 1/4" X 11 1/2" Glazed for 3/8", 9/16" Lami Glass  
Function: Curtain Wall - Interior Use

Detail: Jamb

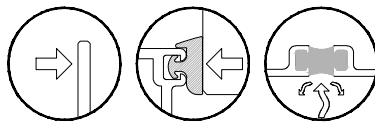
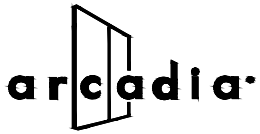
Scale: 3" = 1'-0"

SHEET 7 OF 8



NOTE:  
FOR INTERIOR USE

NOTE:  
SEE PARTS ID SHEETS FOR 'F'  
& 'T' ANCHOR PARTS  
NUMBERS TO EACH VERTICAL



Offset Glazed    Side Load    Thermal  
Optional Projected Cover Caps Available

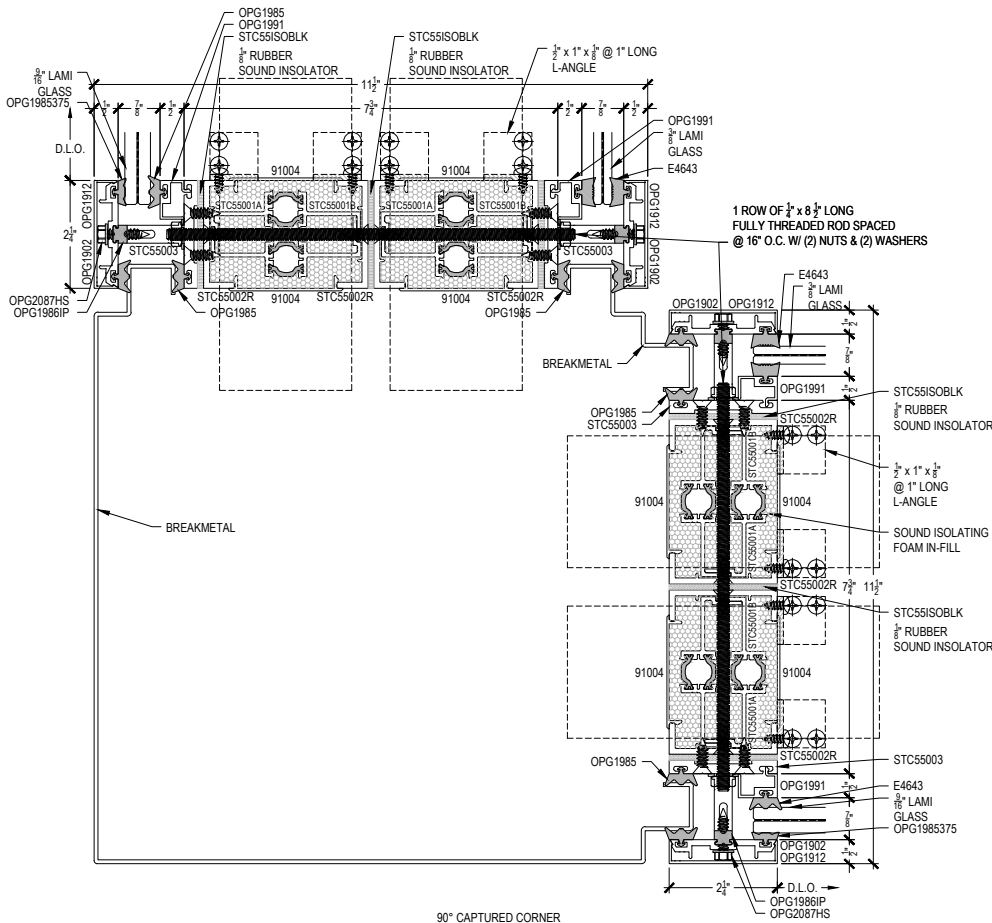
# T500 (OPG31075STC) Series

Description: 2 1/4" X 11 1/2" Glazed for 3/8", 9/16" Lami Glass  
Function: Curtain Wall - Interior Use

Detail: Corners

Scale: 3" = 1'-0"

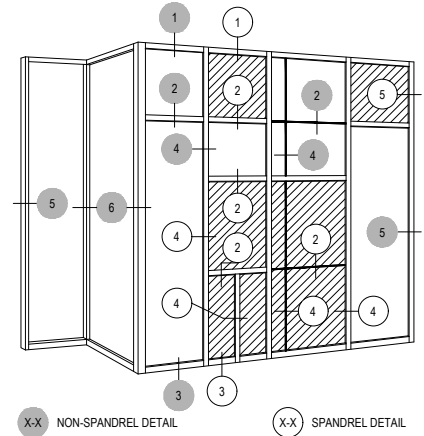
SHEET 8 OF 8



90° CAPTURED CORNER

6-2

NOTE:  
FOR INTERIOR USE



NOTE:  
SEE PARTS ID SHEETS FOR 'F'  
& 'T' ANCHOR PARTS  
NUMBERS TO EACH VERTICAL