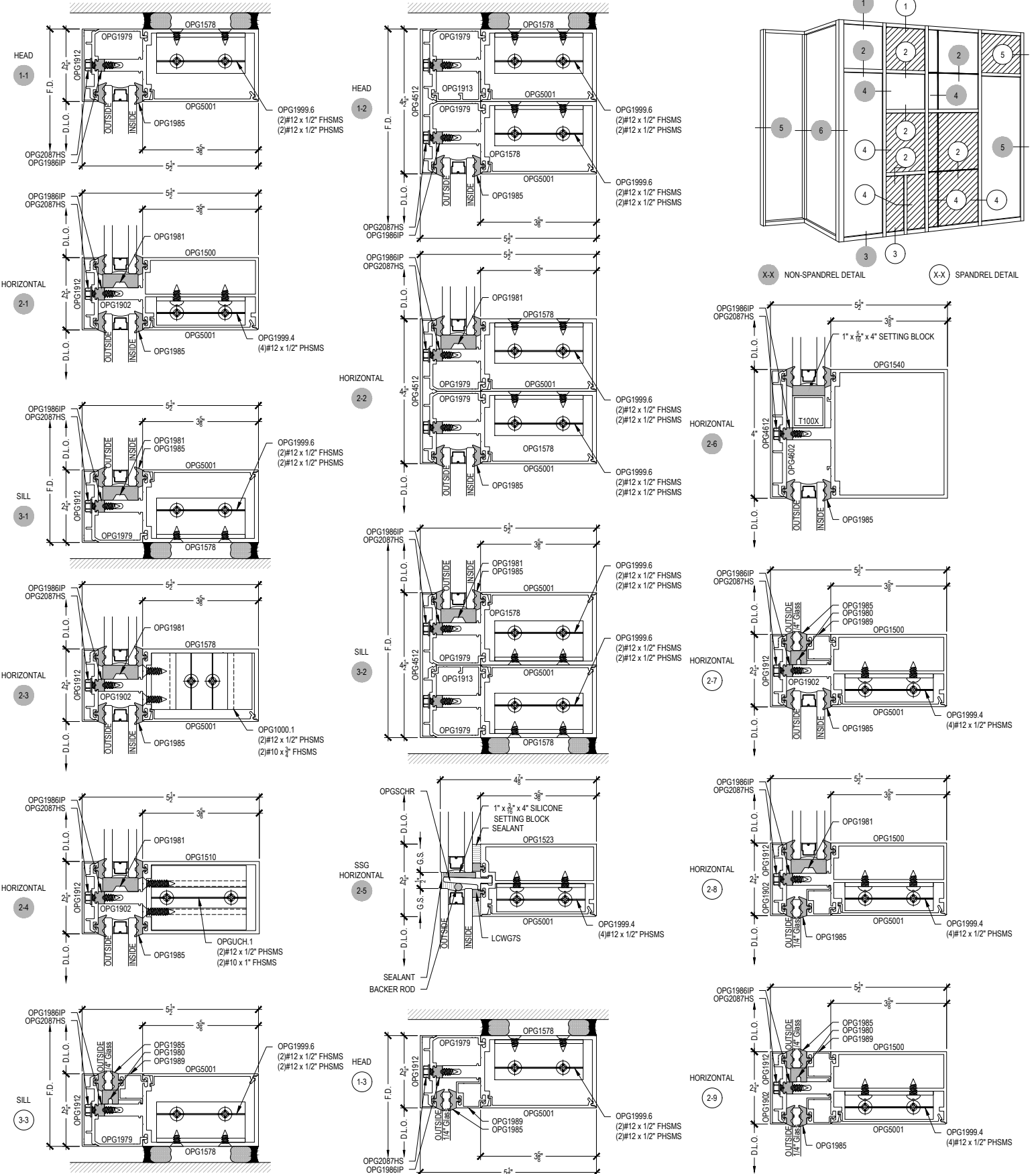


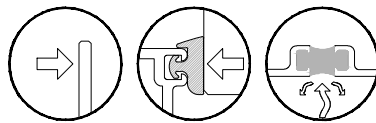
Offset Glazed Side Load Thermal
Optional Projected Cover Caps Available

T500 (OPG1500) Series

Description: 2 1/4" X 5 1/2" Glazed for 1/4" - 1-11/16" Glass
Function: Curtain Wall
Detail: Heads, Horizontals, Sills
Scale: 3" = 1'-0"

SHEET 1 OF 8





Offset Glazed Side Load Thermal
Optional Projected Cover Caps Available

T500 (OPG1500) Series

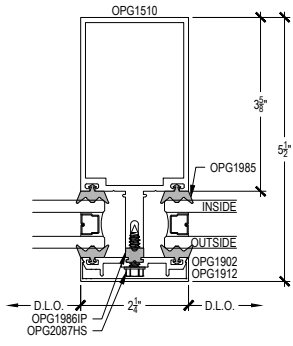
Description: 2 1/4" X 5 1/2" Glazed for 1/4" - 1-11/16" Glass

Function: Curtain Wall

Detail: Verticals

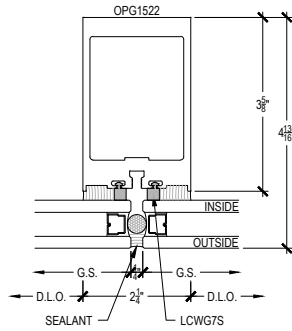
Scale: 3" = 1'-0"

SHEET 2 OF 8



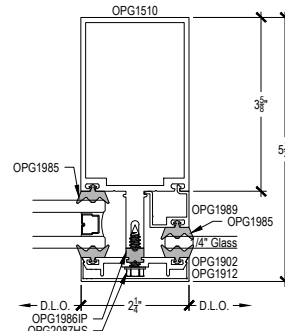
VERTICAL

4-1



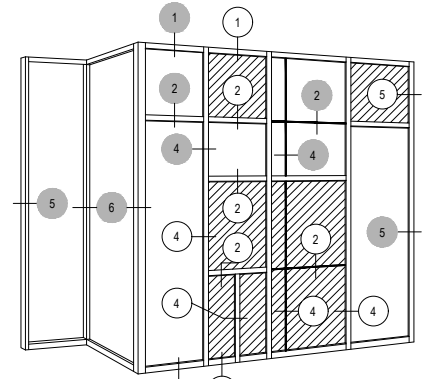
SSG VERTICAL

4-2



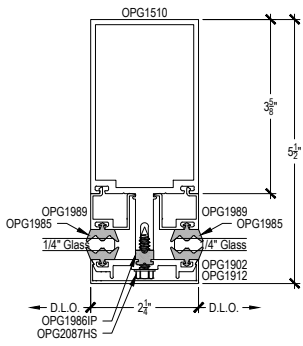
VERTICAL

4-3



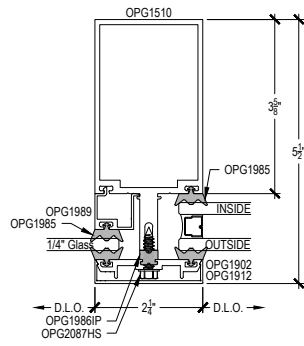
X-X NON-SPANDREL DETAIL

X-X SPANDREL DETAIL



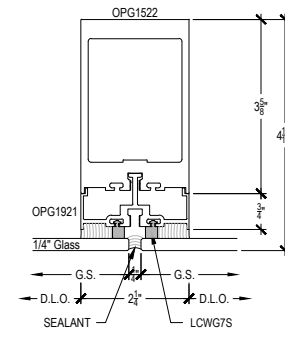
VERTICAL

4-4



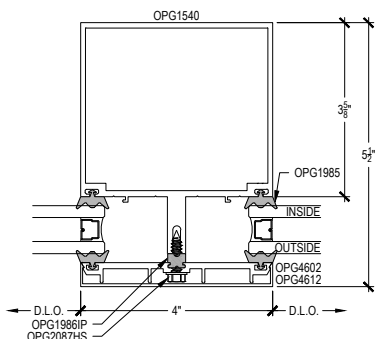
VERTICAL

4-5



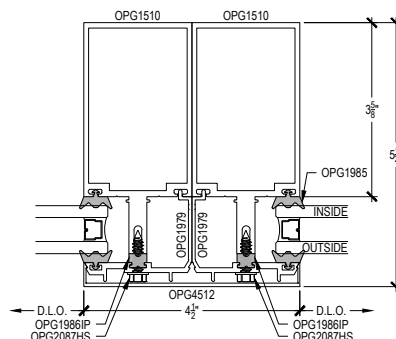
SSG VERTICAL

4-6



VERTICAL

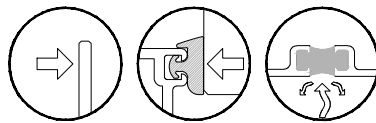
4-7



VERTICAL

4-8

NOTE:
SEE PARTS ID SHEETS FOR 'F'
& 'T' ANCHOR PARTS
NUMBERS TO EACH VERTICAL

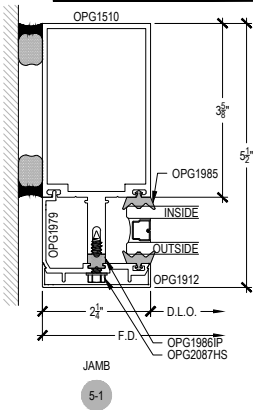


Offset Glazed Side Load Thermal
Optional Projected Cover Caps Available

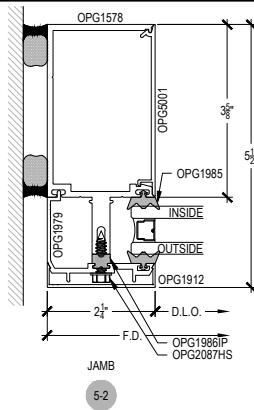
T500 (OPG1500) Series

Description: 2 1/4" X 5 1/2" Glazed for 1/4" - 1-11/16" Glass
Function: Curtain Wall
Detail: Jamb
Scale: 3" = 1'-0"

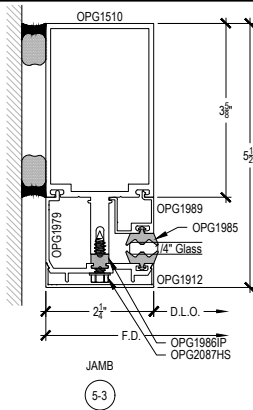
SHEET 3 OF 8



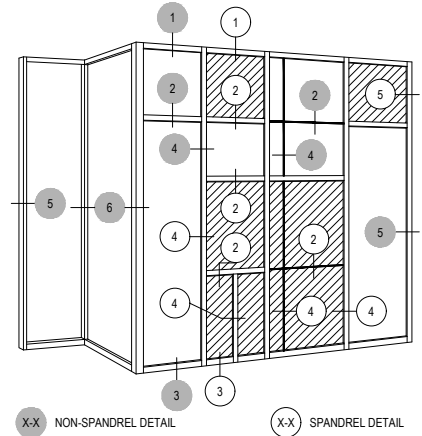
5-1



5-2

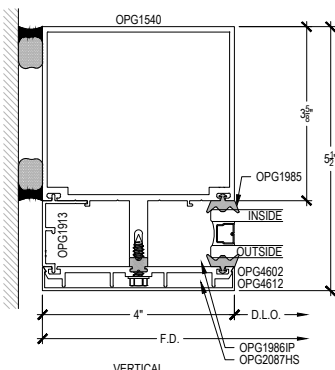


5-3

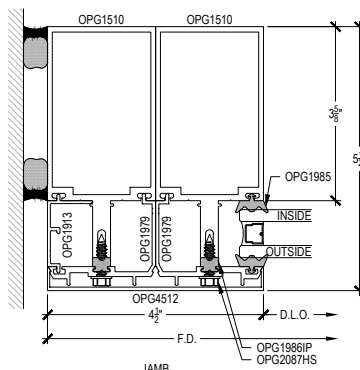


X-X NON-SPANDREL DETAIL

X-X SPANDREL DETAIL

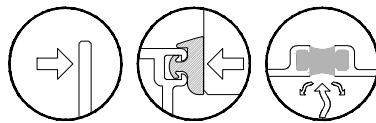


5-4



5-5

NOTE:
SEE PARTS ID SHEETS FOR "F"
& "T" ANCHOR PARTS
NUMBERS TO EACH VERTICAL



Offset Glazed Side Load Thermal
Optional Projected Cover Caps Available

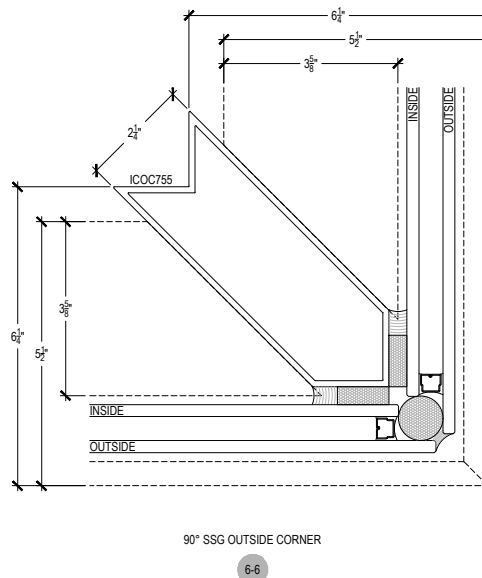
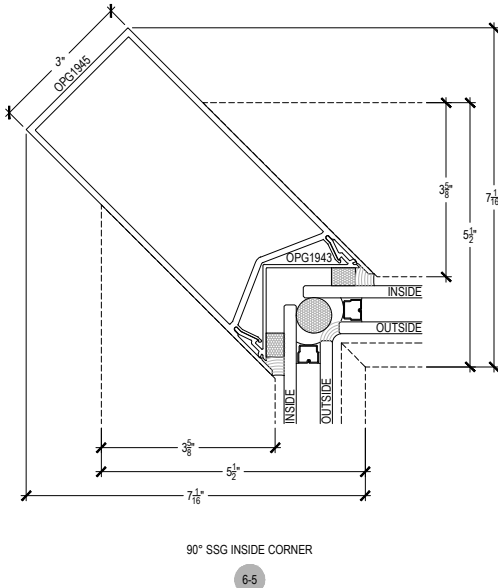
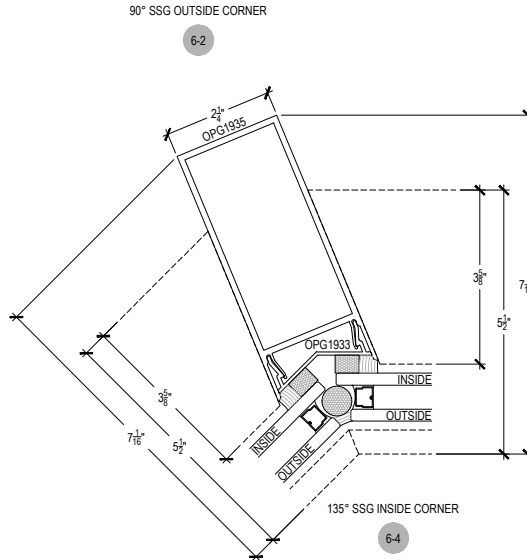
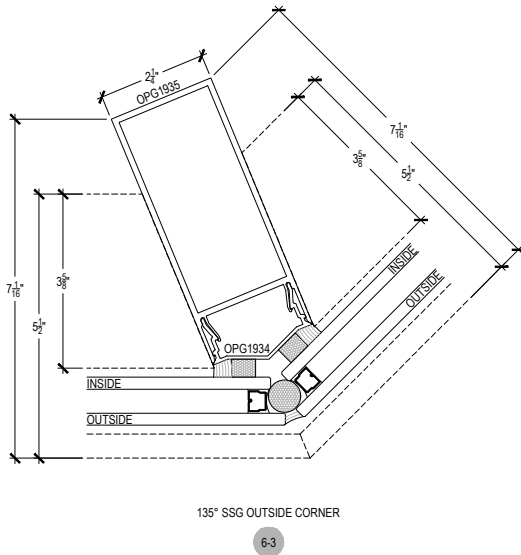
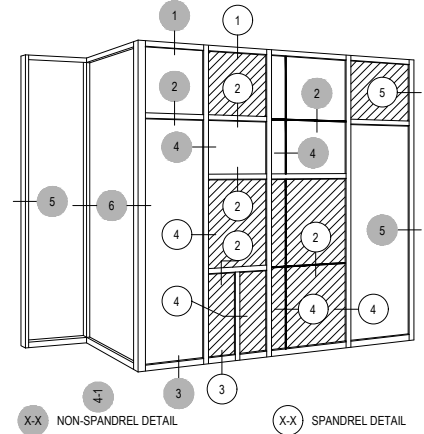
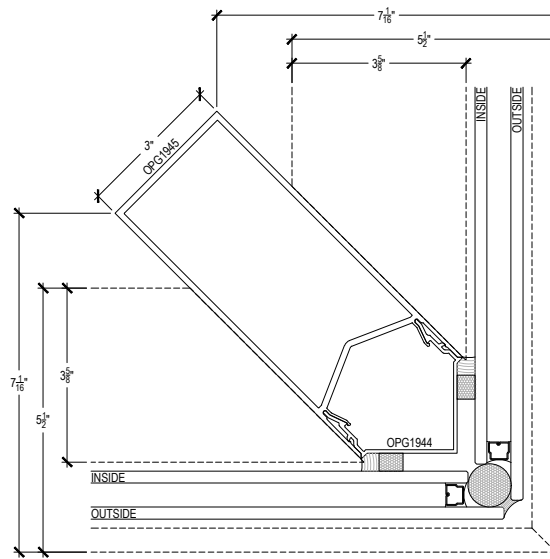
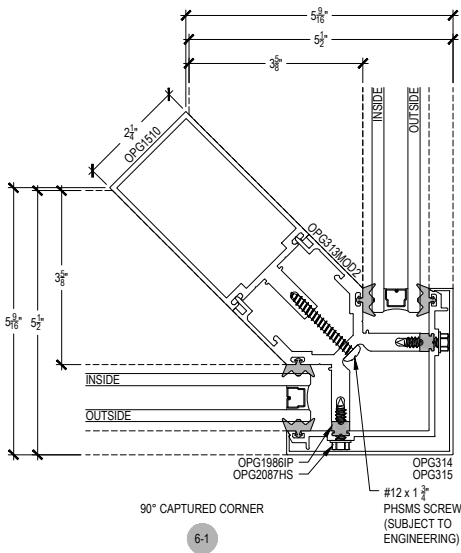
T500 (OPG1500) Series

Description: 2 1/4" X 5 1/2" Glazed for 1/4" - 1-11/16" Glass

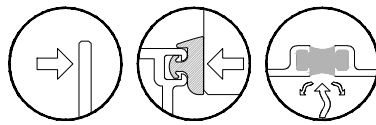
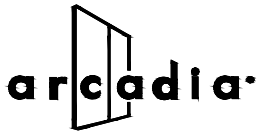
Function: Curtain Wall

Detail: Corners

Scale: 3" = 1'-0"



NOTE:
SEE PARTS ID SHEETS FOR "F"
& "T" ANCHOR PARTS
NUMBERS TO EACH VERTICAL



Offset Glazed Side Load Thermal
Optional Projected Cover Caps Available

T500 (OPG1500) Series

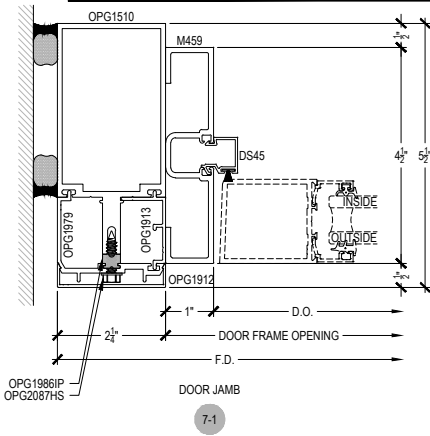
Description: 2 1/4" X 5 1/2" Glazed for 1/4" - 1-11/16" Glass

Function: Curtain Wall

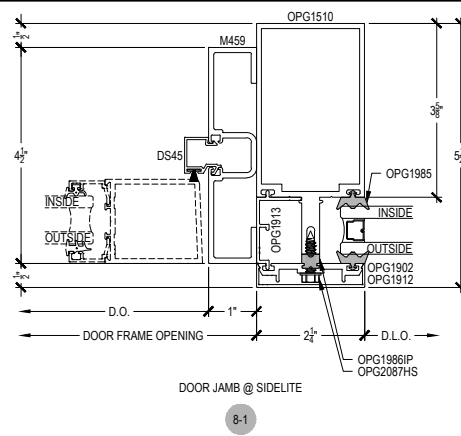
Detail: Offset Hung Doors

Scale: 3" = 1'-0"

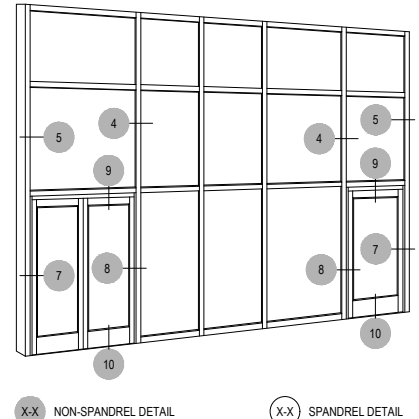
SHEET 5 OF 8



7-1

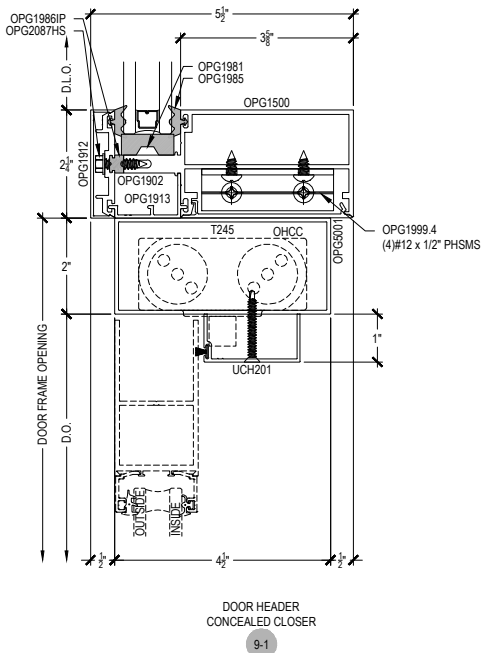


8-1

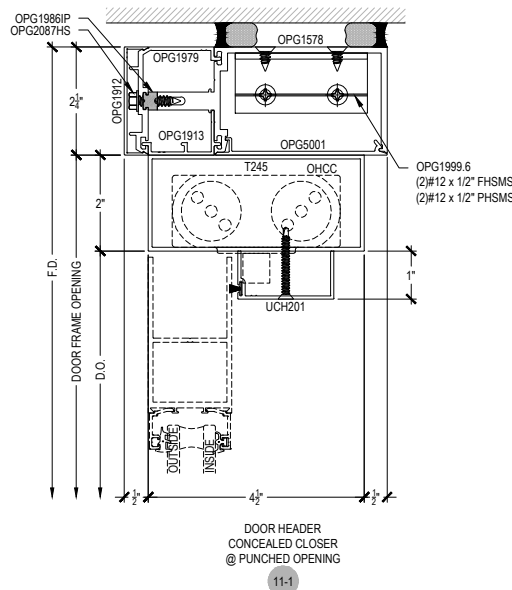


X-X NON-SPANDREL DETAIL

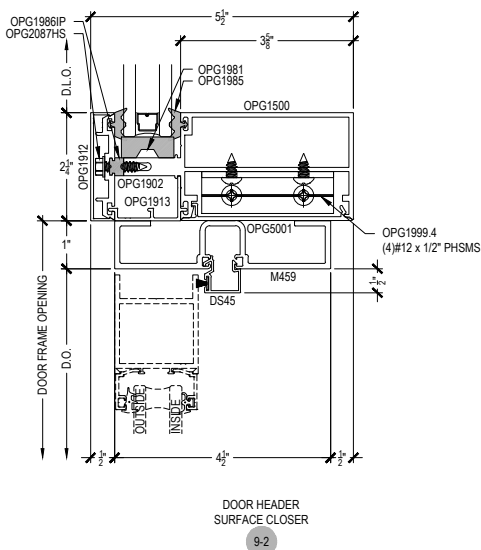
X-X SPANDREL DETAIL



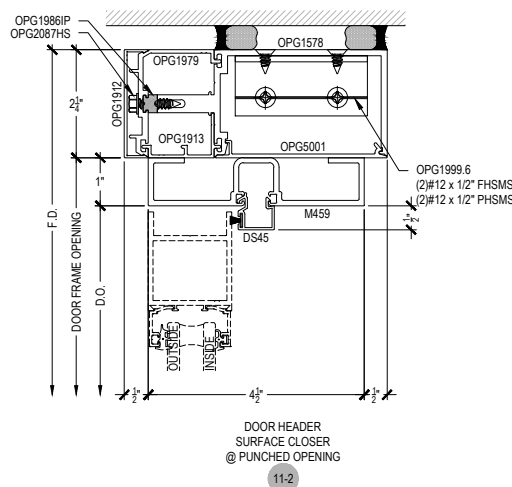
9-1



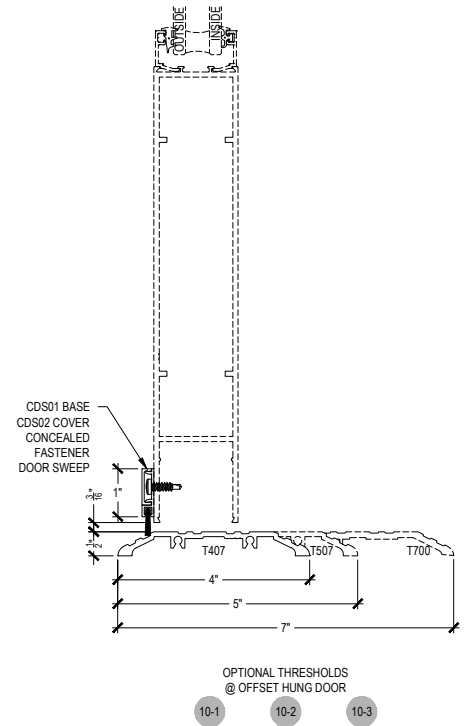
11-1



9-2



11-2



10-1

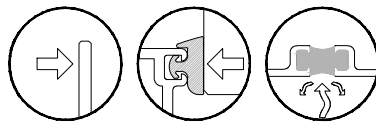
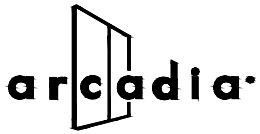
10-2

10-3

NOTE:
SEE PARTS ID SHEETS FOR "F" & "T" ANCHOR PARTS.

NOTE:
TYPICAL VERTICALS & HORIZONTALS SHOWN IN DOOR DETAILS. OPTIONAL TO CHANGE OUT FOR PROJECT SPECIFIC NEEDS.

NOTE:
FOR ALL DOOR OPTIONS SEE THE ENTRANCE SECTION OF ARCADIA, INC. WEBSITE.



Offset Glazed Side Load Thermal
Optional Projected Cover Caps Available

T500 (OPG1500) Series

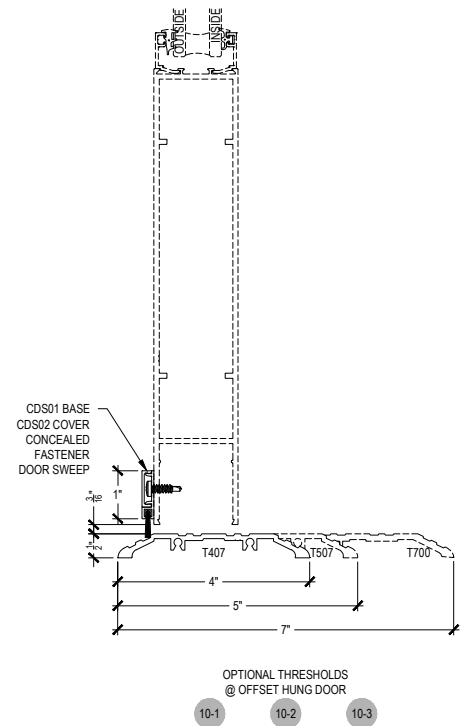
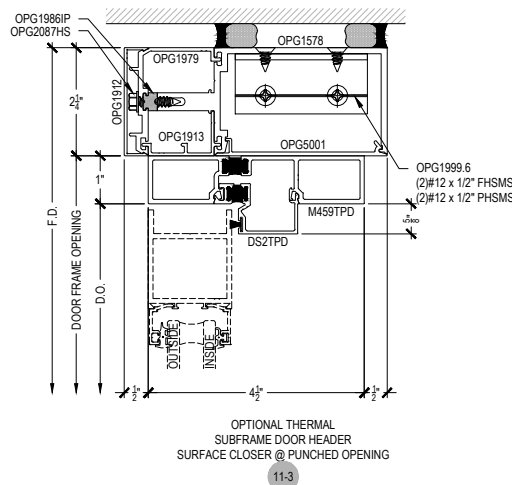
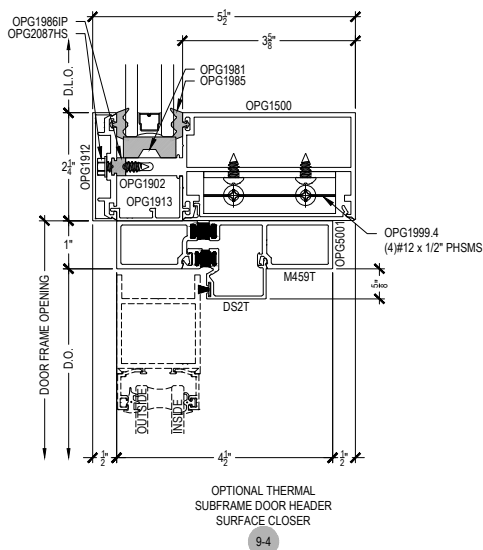
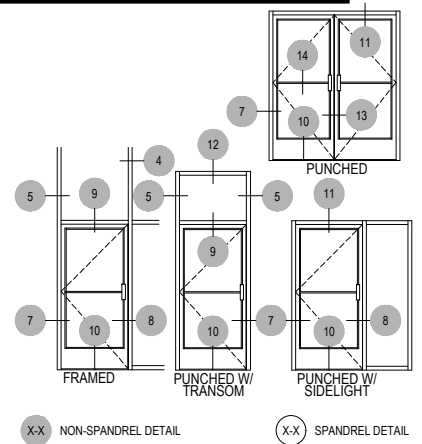
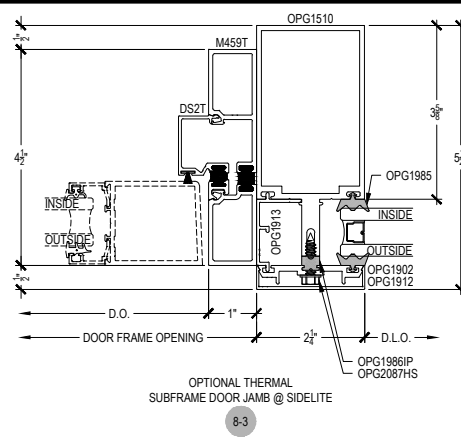
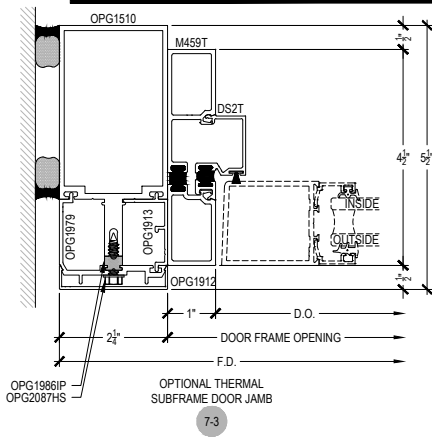
Description: 2 1/4" X 5 1/2" Glazed for 1/4" - 1-11/16" Glass

Function: Curtain Wall

Detail: Offset Hung Doors & Options

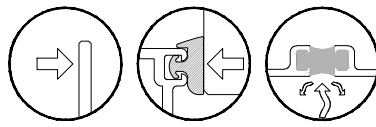
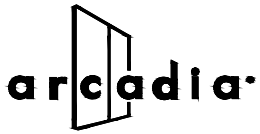
Scale: 3" = 1'-0"

SHEET 6 OF 8



NOTE: SEE PARTS ID SHEETS FOR "F" & "T" ANCHOR PARTS FOR ALL DOOR OPTIONS SEE THE ENTRANCE SECTION OF ARCADIA, INC. WEBSITE.

NOTE: TYPICAL VERTICALS & HORIZONTALS SHOWN IN DOOR DETAILS. OPTIONAL TO CHANGE OUT FOR PROJECT SPECIFIC NEEDS.

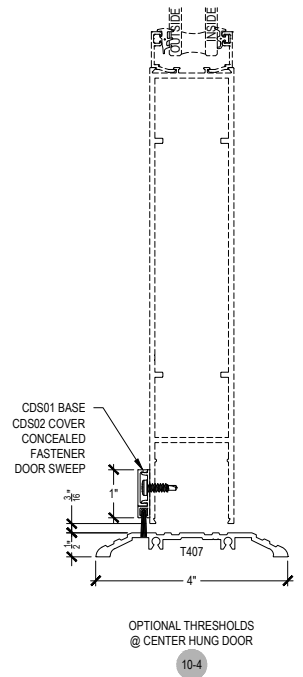
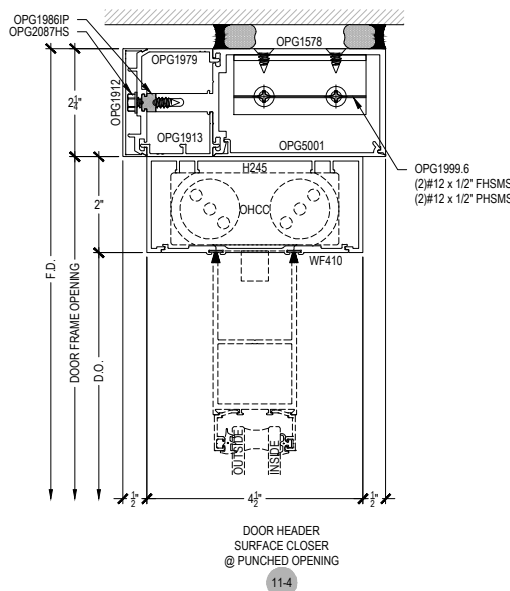
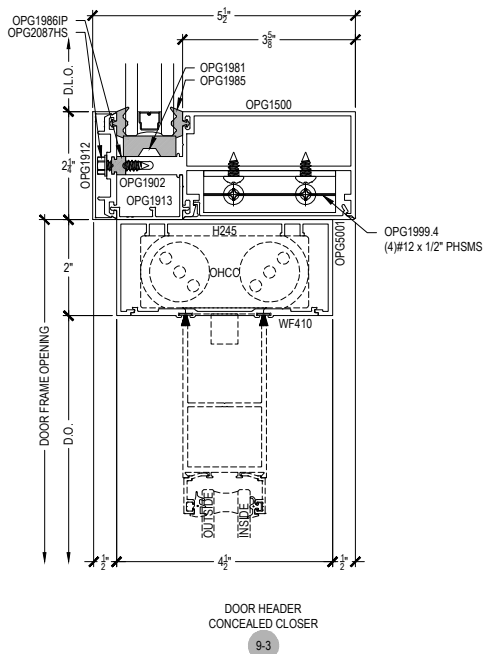
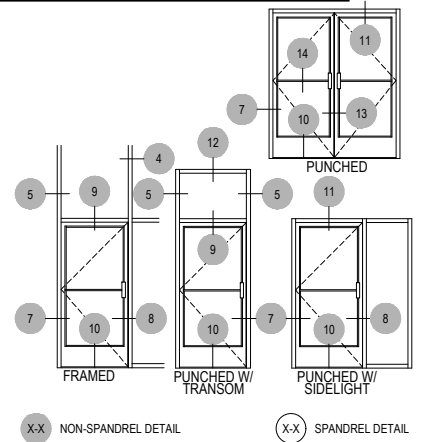
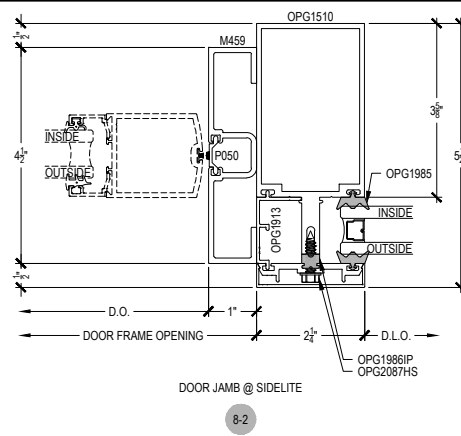
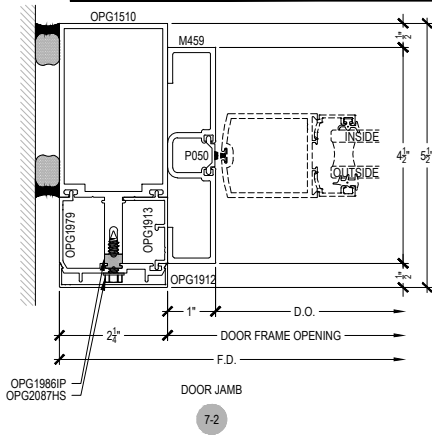


Offset Glazed Side Load Thermal
Optional Projected Cover Caps Available

T500 (OPG1500) Series

Description: 2 1/4" X 5 1/2" Glazed for 1/4" - 1-11/16" Glass
Function: Curtain Wall
Detail: Center Hung Doors
Scale: 3" = 1'-0"

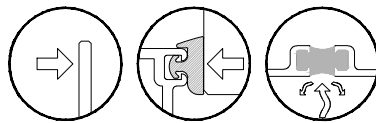
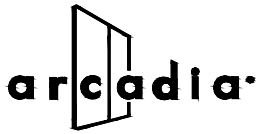
SHEET 7 OF 8



NOTE:
TYPICAL VERTICALS & HORIZONTALS SHOWN IN DOOR DETAILS. OPTIONAL TO CHANGE OUT FOR PROJECT SPECIFIC NEEDS.

NOTE:
SEE PARTS ID SHEETS FOR "F" & "T" ANCHOR PARTS

NOTE:
FOR ALL DOOR OPTIONS SEE THE ENTRANCE SECTION OF ARCADIA, INC. WEBSITE.



Offset Glazed Side Load Thermal
Optional Projected Cover Caps Available

T500 (OPG1500) Series

Description: 2 1/4" X 5 1/2" Glazed for 1/4" - 1-11/16" Glass

Function: Curtain Wall

Detail: Optional Glazing

Scale: 3" = 1'-0"

SHEET 8 OF 8

