

Offset Glazed    Side Load    Thermal  
Optional Projected Cover Caps Available

# T500 (OPG6000) Series

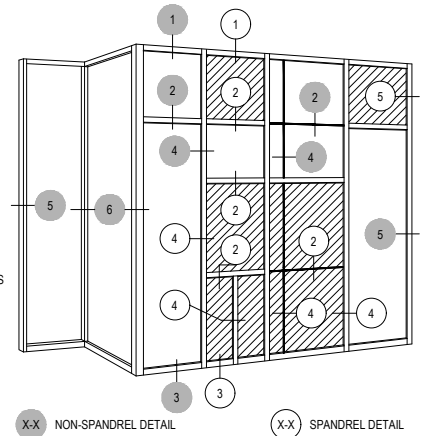
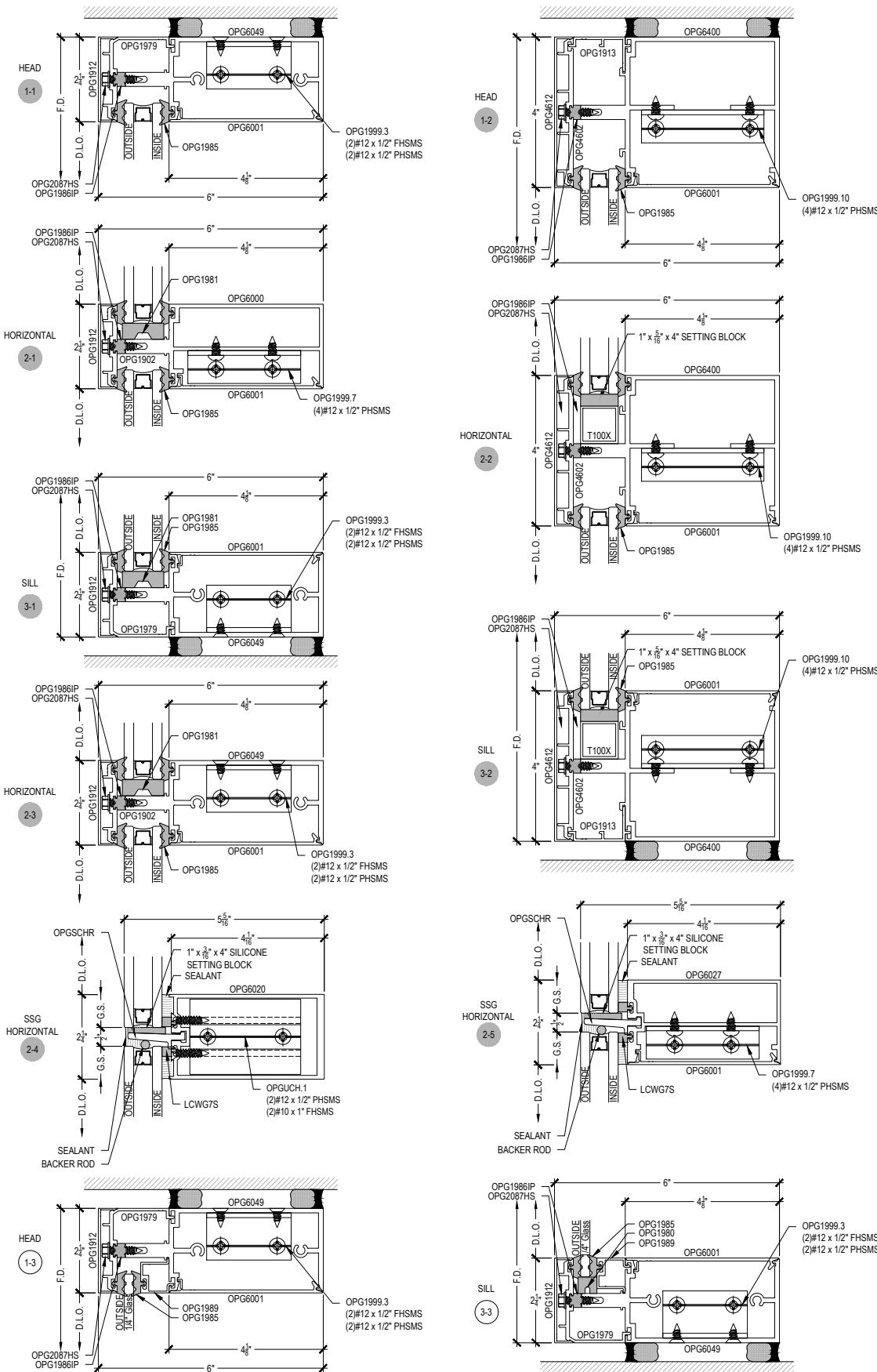
Description: 2 1/4" X 6" Glazed for 1/4" - 1-11/16" Glass

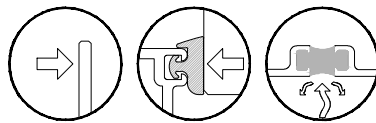
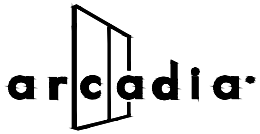
Function: Curtain Wall

Detail: Heads, Horizontals, Sills

Scale: 3" = 1'-0"

SHEET 1 OF 10





Offset Glazed    Side Load    Thermal  
Optional Projected Cover Caps Available

# T500 (OPG6000) Series

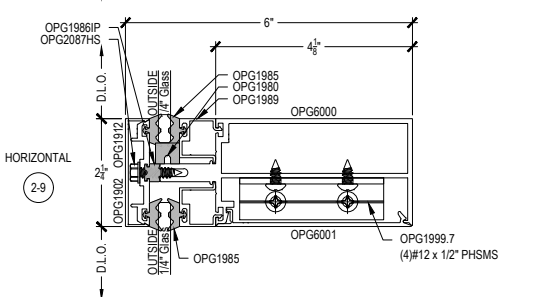
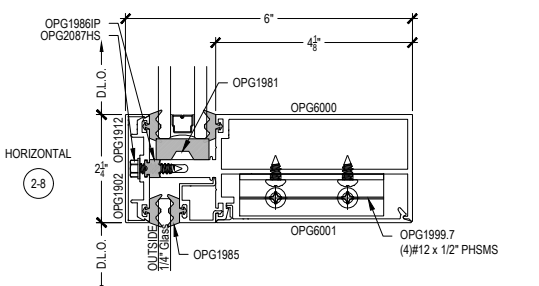
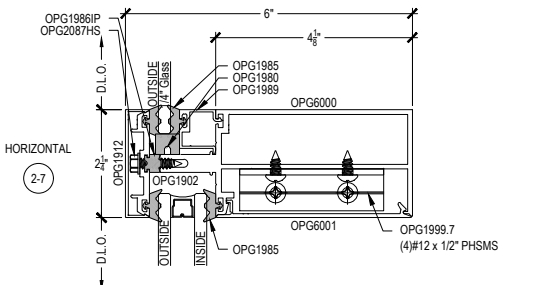
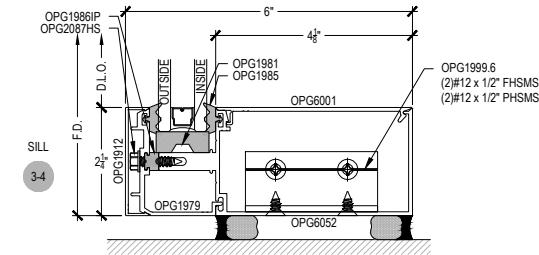
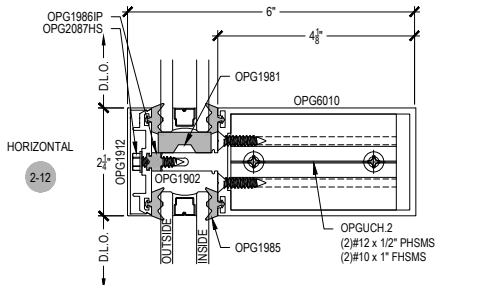
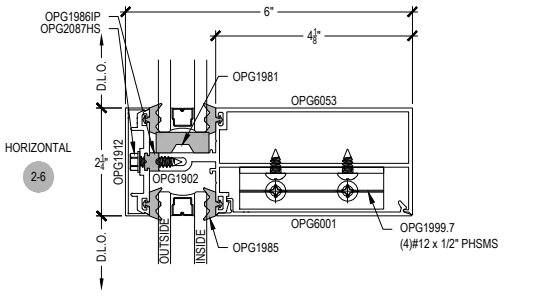
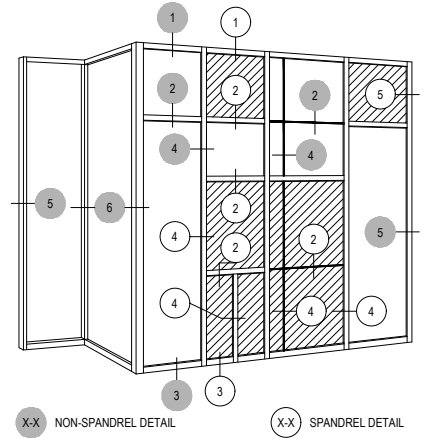
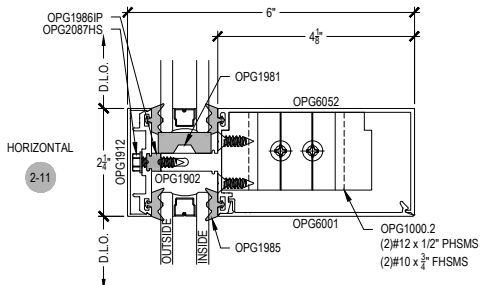
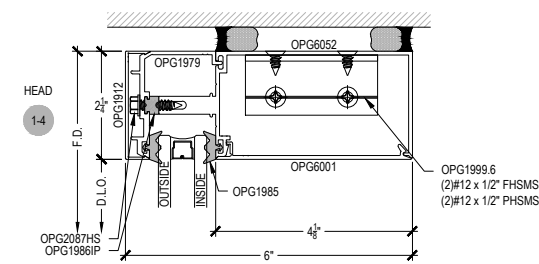
Description: 2 1/4" X 6" Glazed for 1/4" - 1-11/16" Glass

Function: Curtain Wall

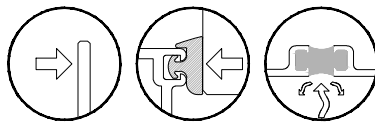
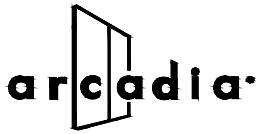
Detail: Heads, Horizontals, Sills

Scale: 3" = 1'-0"

SHEET 2 OF 10



NOTE:  
SEE PARTS ID SHEETS FOR "F"  
& "T" ANCHOR PARTS  
NUMBERS TO EACH VERTICAL



Offset Glazed    Side Load    Thermal  
Optional Projected Cover Caps Available

# T500 (OPG6000) Series

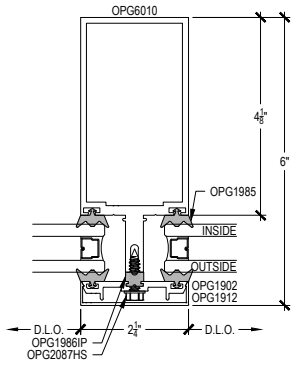
Description: 2 1/4" X 6" Glazed for 1/4" - 1-11/16" Glass

Function: Curtain Wall

Detail: Verticals

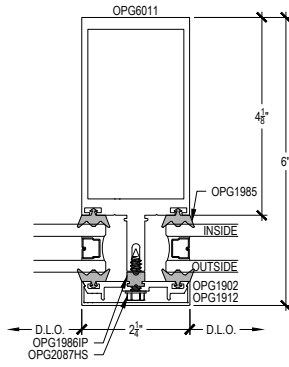
Scale: 3" = 1'-0"

SHEET 3 OF 10



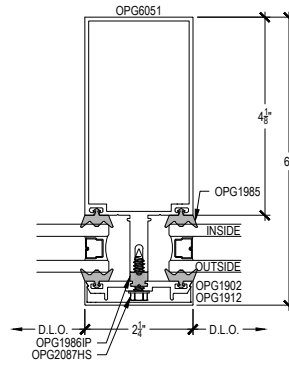
VERTICAL

4-1



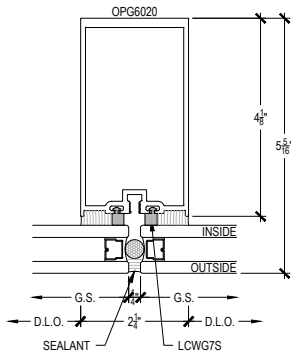
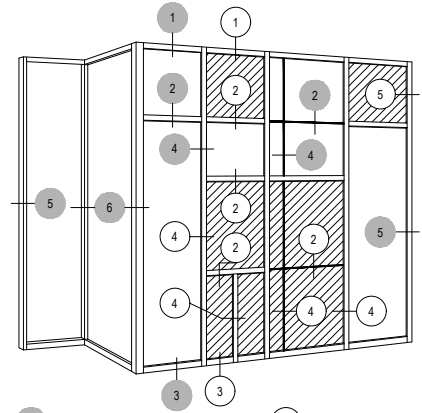
VERTICAL

4-2



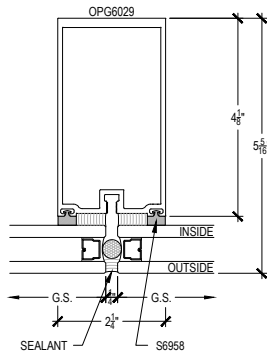
VERTICAL

4-3



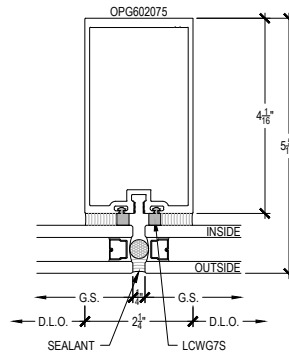
SSG VERTICAL

4-4



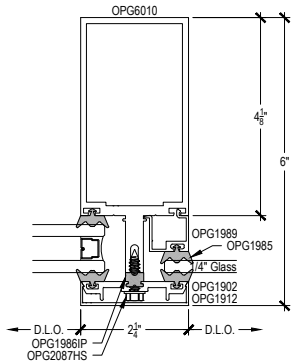
SSG VERTICAL

4-5



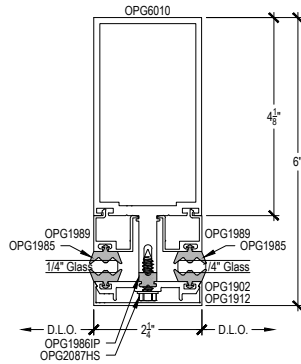
SSG VERTICAL

4-6



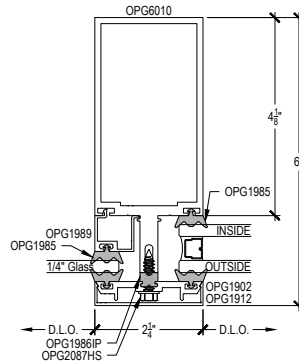
VERTICAL

4-7



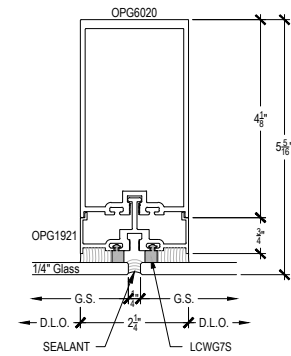
VERTICAL

4-8



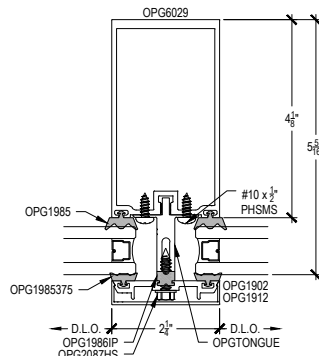
VERTICAL

4-9



SSG VERTICAL

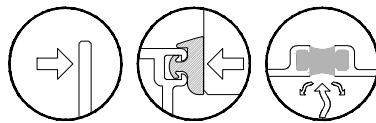
4-10



SSG VERTICAL  
W/TONGUE ADAPTER

4-12

NOTE:  
SEE PARTS ID SHEETS FOR "F"  
& "T" ANCHOR PARTS  
NUMBERS TO EACH VERTICAL



Offset Glazed    Side Load    Thermal  
Optional Projected Cover Caps Available

# T500 (OPG6000) Series

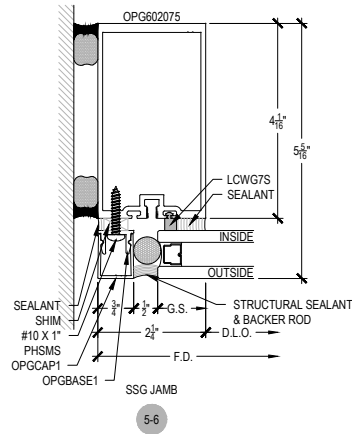
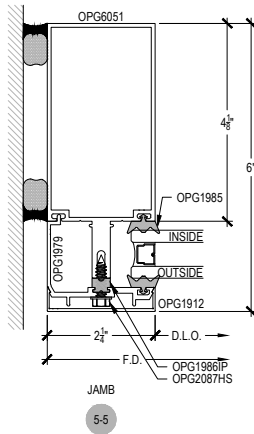
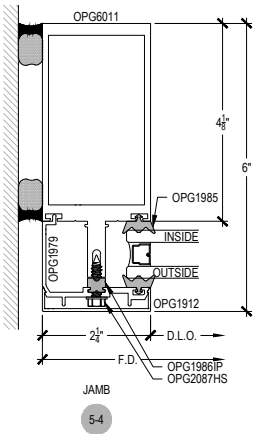
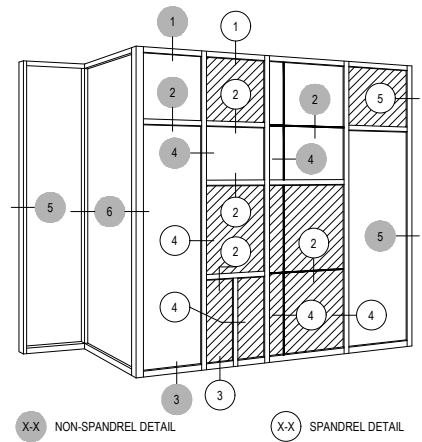
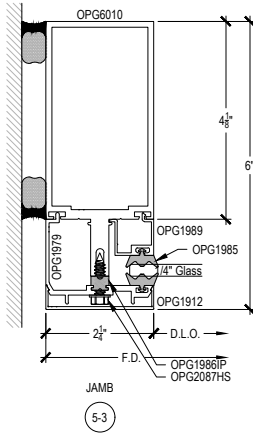
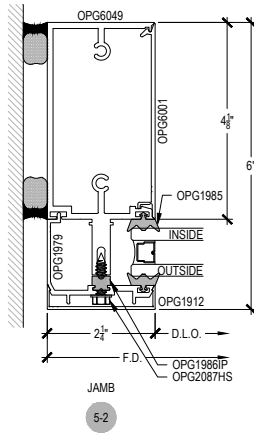
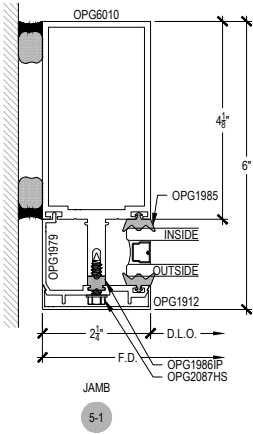
Description: 2 1/4" X 6" Glazed for 1/4" - 1-11/16" Glass

Function: Curtain Wall

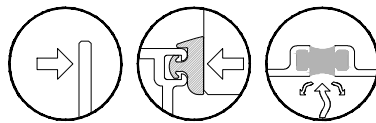
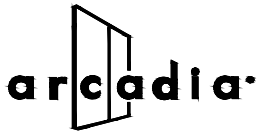
Detail: Jamb

Scale: 3" = 1'-0"

SHEET 4 OF 10



NOTE:  
SEE PARTS ID SHEETS FOR "F"  
& "T" ANCHOR PARTS  
NUMBERS TO EACH VERTICAL

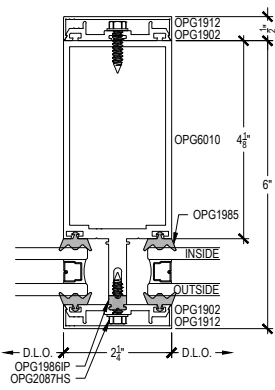
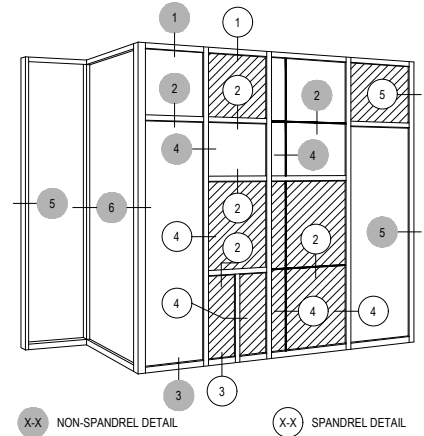
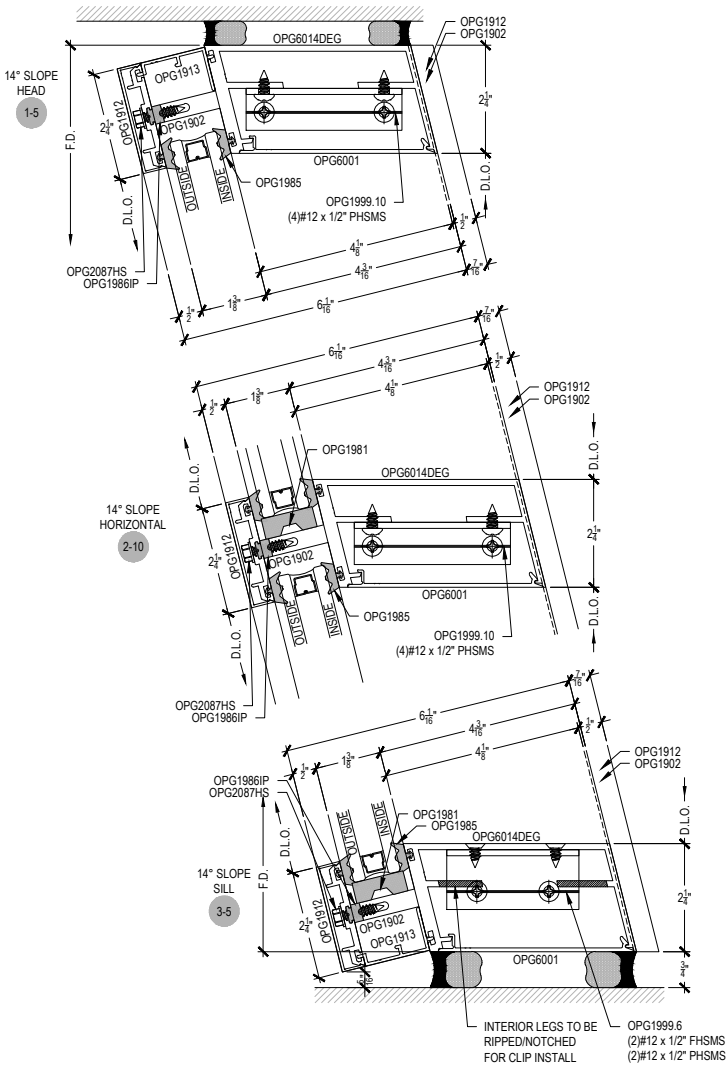


Offset Glazed    Side Load    Thermal  
Optional Projected Cover Caps Available

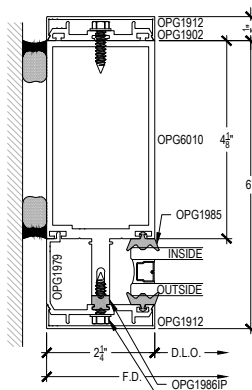
# T500 (OPG6000) Series

Description: 2 1/4" X 6" Glazed for 1/4" - 1-11/16" Glass  
Function: Curtain Wall  
Detail: 14° Slope Wall  
Scale: 3" = 1'-0"

SHEET 5 OF 10

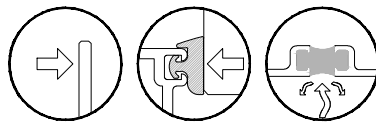


4-11



5-7

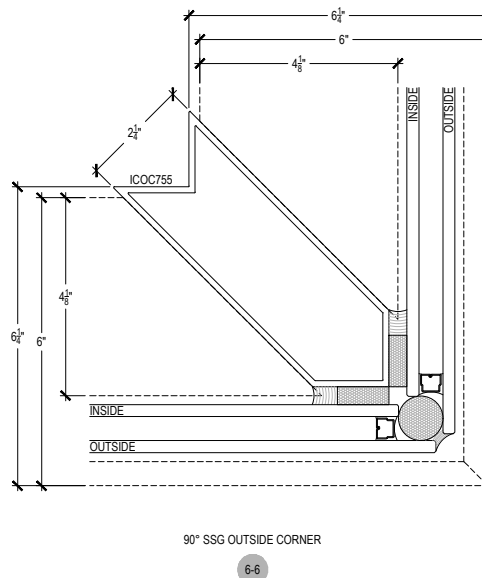
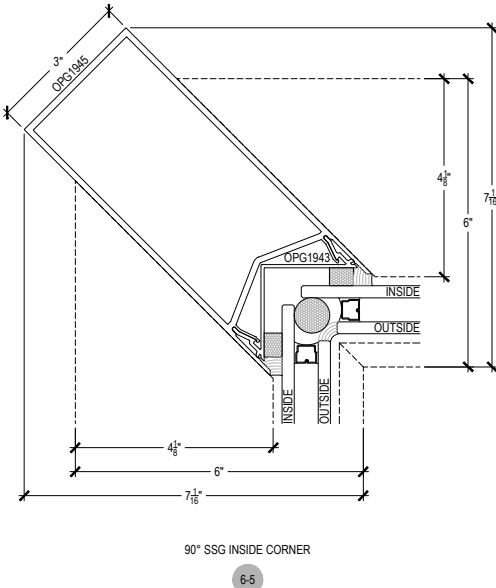
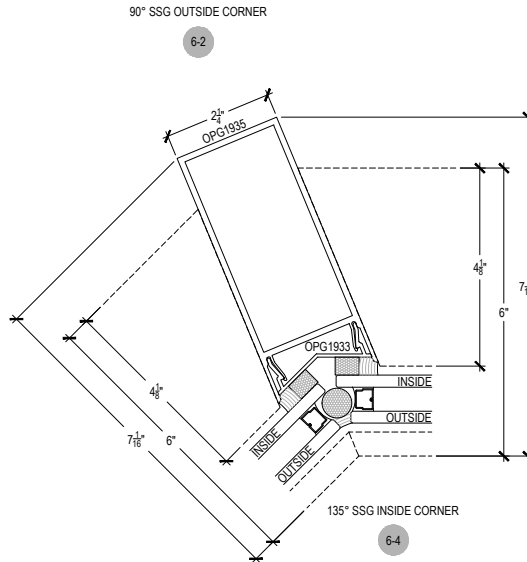
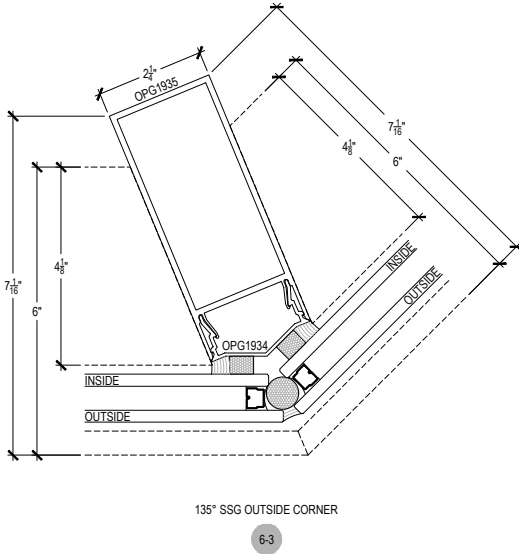
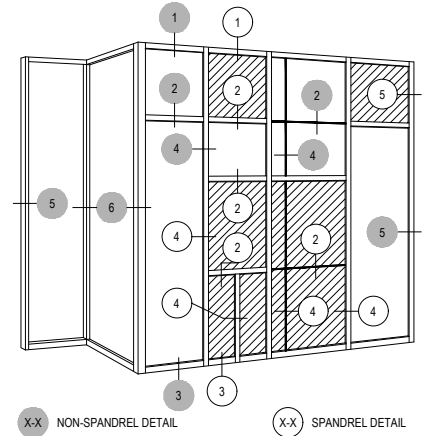
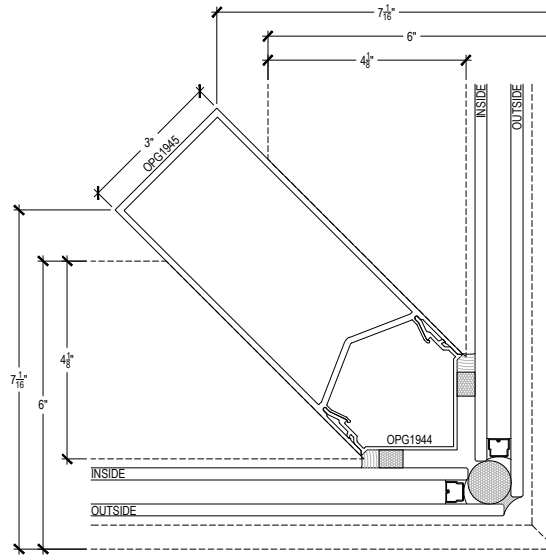
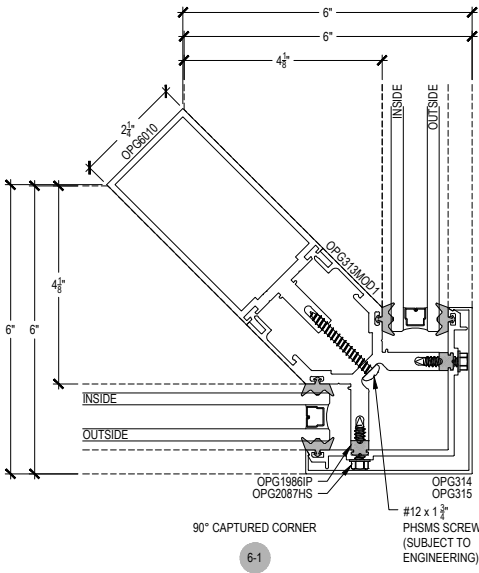
NOTE:  
SEE PARTS ID SHEETS FOR "F" & "T" ANCHOR PARTS NUMBERS TO EACH VERTICAL



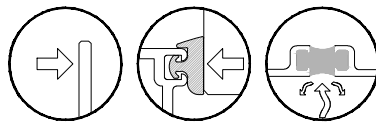
Offset Glazed    Side Load    Thermal  
Optional Projected Cover Caps Available

# T500 (OPG6000) Series

Description: 2 1/4" X 6" Glazed for 1/4" - 1-11/16" Glass  
Function: Curtain Wall  
Detail: Corners  
Scale: 3" = 1'-0"



NOTE:  
SEE PARTS ID SHEETS FOR "F"  
& "T" ANCHOR PARTS  
NUMBERS TO EACH VERTICAL



Offset Glazed    Side Load    Thermal  
Optional Projected Cover Caps Available

# T500 (OPG6000) Series

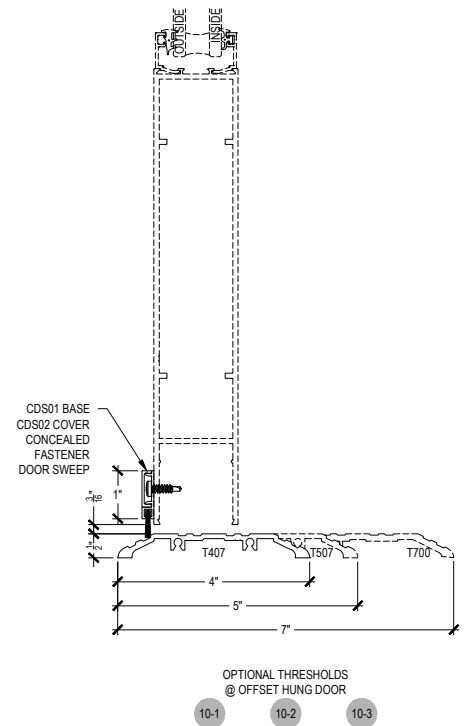
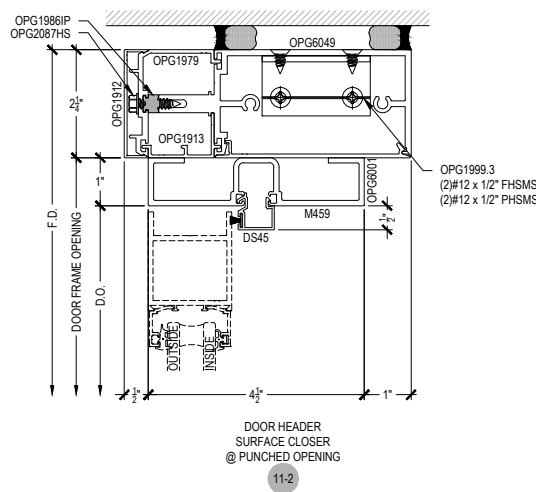
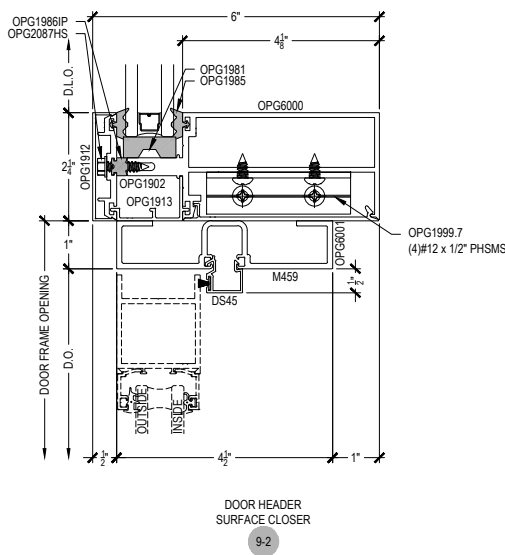
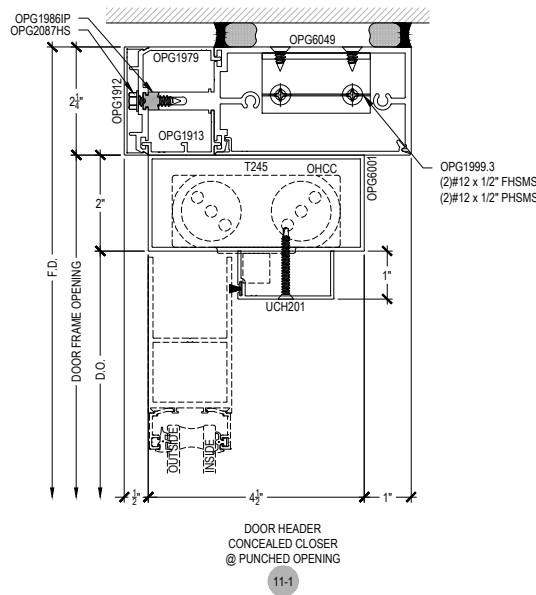
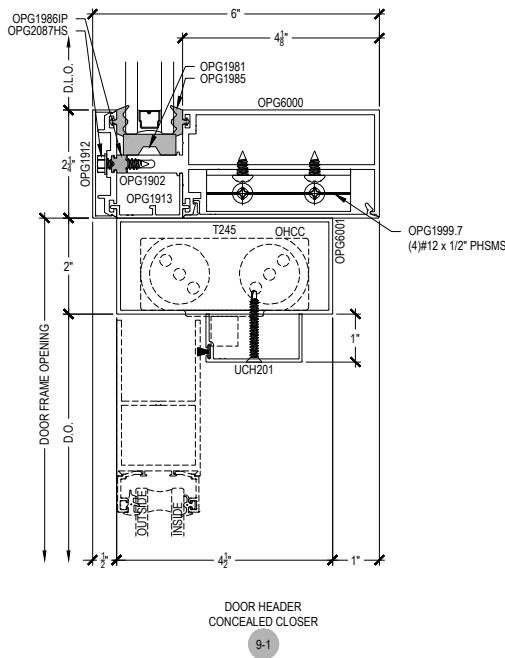
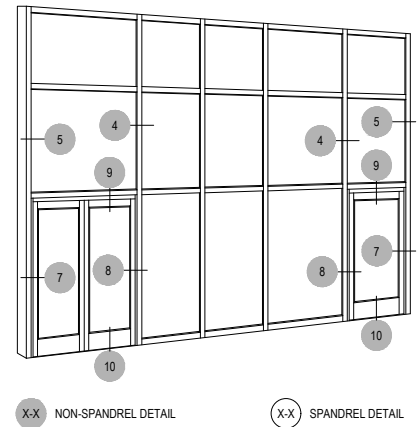
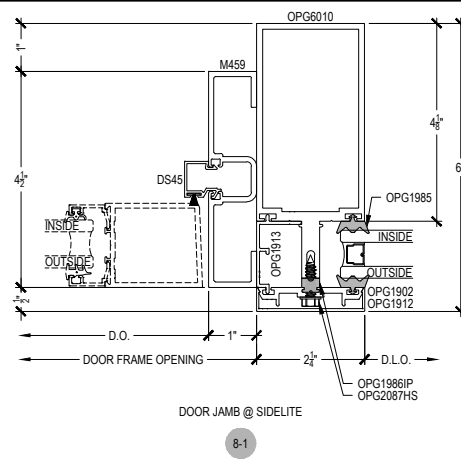
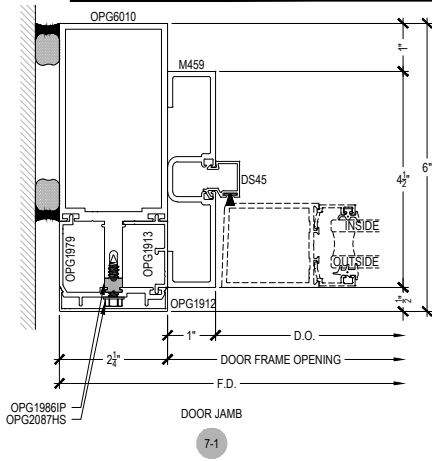
Description: 2 1/4" X 6" Glazed for 1/4" - 1-11/16" Glass

Function: Curtain Wall

Detail: Offset Hung Doors

Scale: 3" = 1'-0"

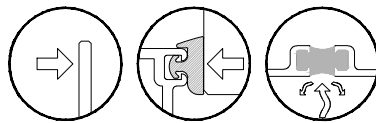
SHEET 7 OF 10



NOTE:  
TYPICAL VERTICALS &  
HORIZONTALS SHOWN IN  
DOOR DETAILS. OPTIONAL  
TO CHANGE OUT FOR  
PROJECT SPECIFIC NEEDS.

NOTE:  
SEE PARTS ID SHEETS FOR "F"  
& "T" ANCHOR PARTS

NOTE:  
FOR ALL DOOR OPTIONS SEE  
THE ENTRANCE SECTION OF  
ARCADIA, INC. WEBSITE.



Offset Glazed    Side Load    Thermal  
Optional Projected Cover Caps Available

# T500 (OPG6000) Series

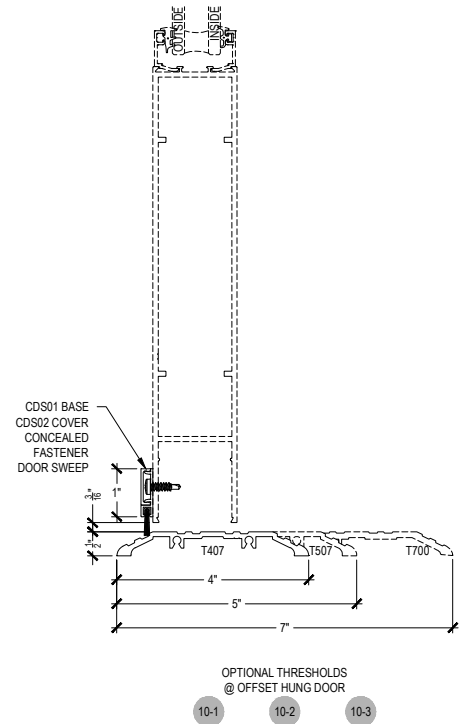
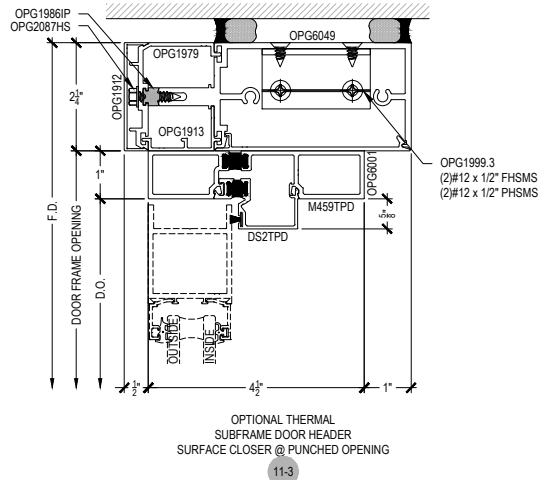
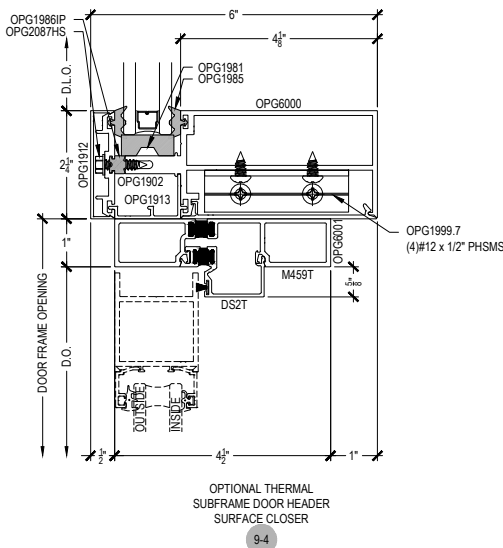
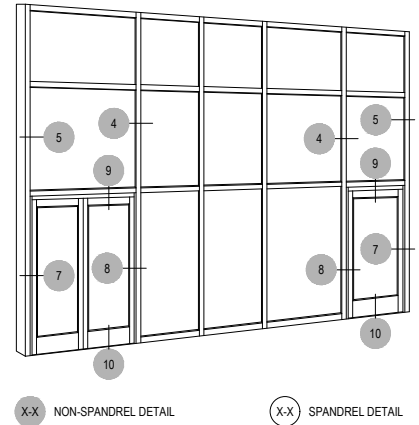
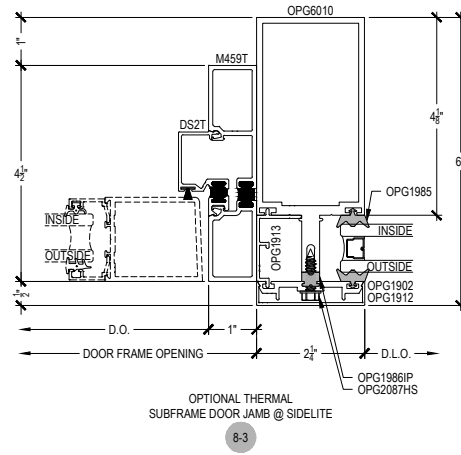
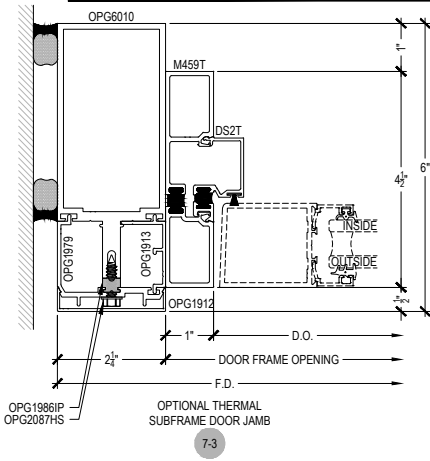
Description: 2 1/4" X 6" Glazed for 1/4" - 1-11/16" Glass

Function: Curtain Wall

Detail: Offset Hung Doors & Options

Scale: 3" = 1'-0"

SHEET 8 OF 10

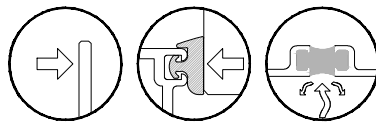
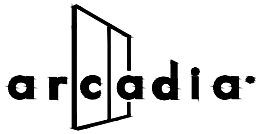


NOTE: SEE PARTS ID SHEETS FOR "F" & "T" ANCHOR PARTS NUMBERS TO EACH VERTICAL.

NOTE: TYPICAL VERTICALS & HORIZONTALS SHOWN IN DOOR DETAILS. OPTIONAL TO CHANGE OUT FOR PROJECT SPECIFIC NEEDS.

NOTE: FOR ALL DOOR OPTIONS SEE THE ENTRANCE SECTION OF ARCADIA, INC. WEBSITE.





Offset Glazed    Side Load    Thermal  
Optional Projected Cover Caps Available

# T500 (OPG6000) Series

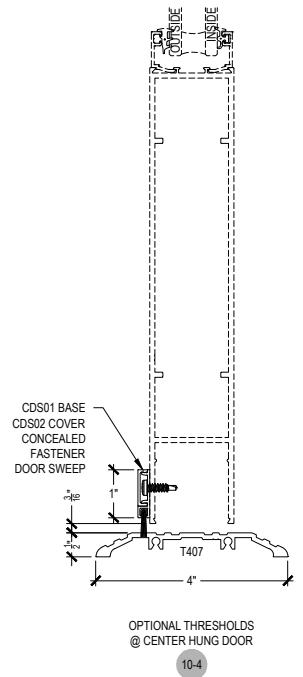
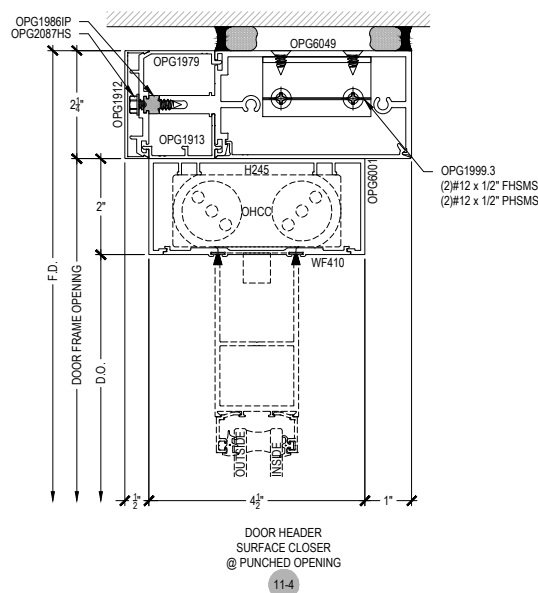
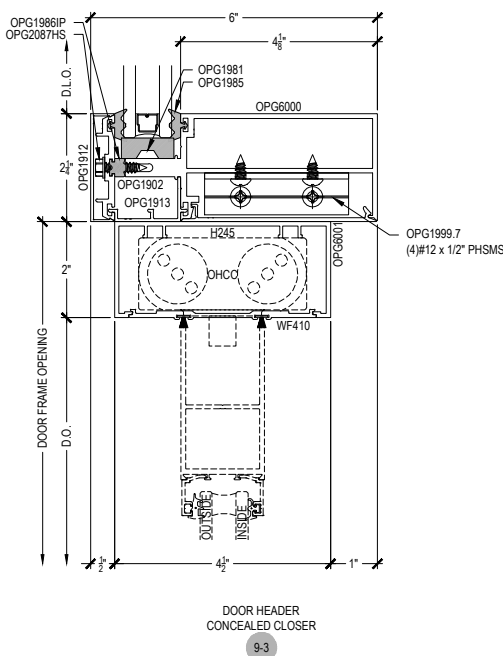
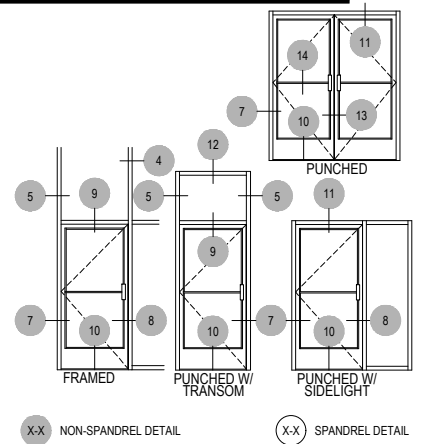
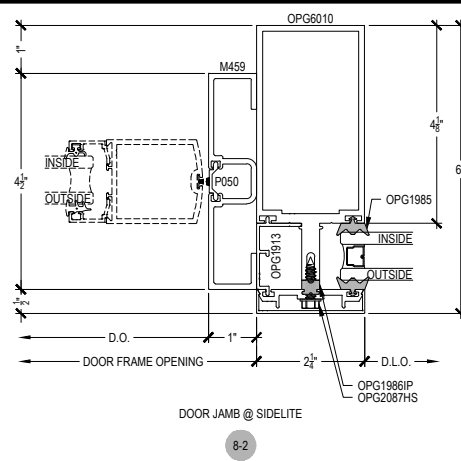
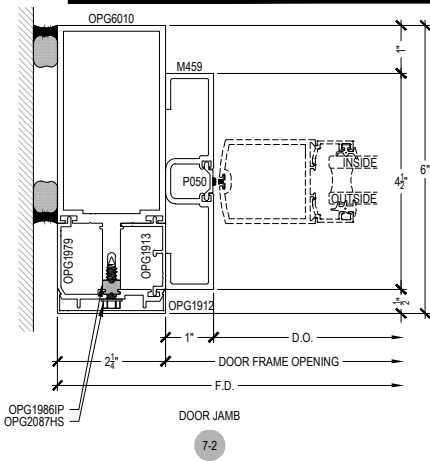
Description: 2 1/4" X 6" Glazed for 1/4" - 1-11/16" Glass

Function: Curtain Wall

Detail: Center Hung Doors

Scale: 3" = 1'-0"

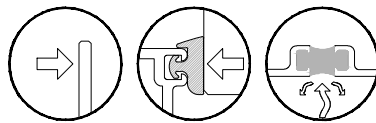
SHEET 9 OF 10



NOTE: TYPICAL VERTICALS & HORIZONTALS SHOWN IN DOOR DETAILS. OPTIONAL TO CHANGE OUT FOR PROJECT SPECIFIC NEEDS.

NOTE: SEE PARTS ID SHEETS FOR "F" & "T" ANCHOR PARTS

NOTE: FOR ALL DOOR OPTIONS SEE THE ENTRANCE SECTION OF ARCADIA, INC. WEBSITE.



Offset Glazed    Side Load    Thermal  
Optional Projected Cover Caps Available

# T500 (OPG6000) Series

Description: 2 1/4" X 6" Glazed for 1/4" - 1-11/16" Glass  
Function: Curtain Wall  
Detail: Glazing Options  
Scale: 3" = 1'-0"

