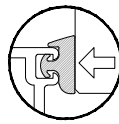


Offset Glazed



Side Load

CASSETTE T500 SSG CLAD WALL

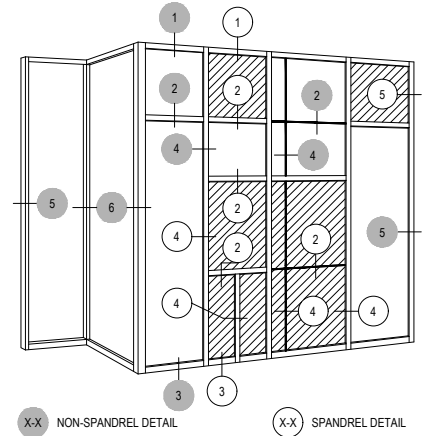
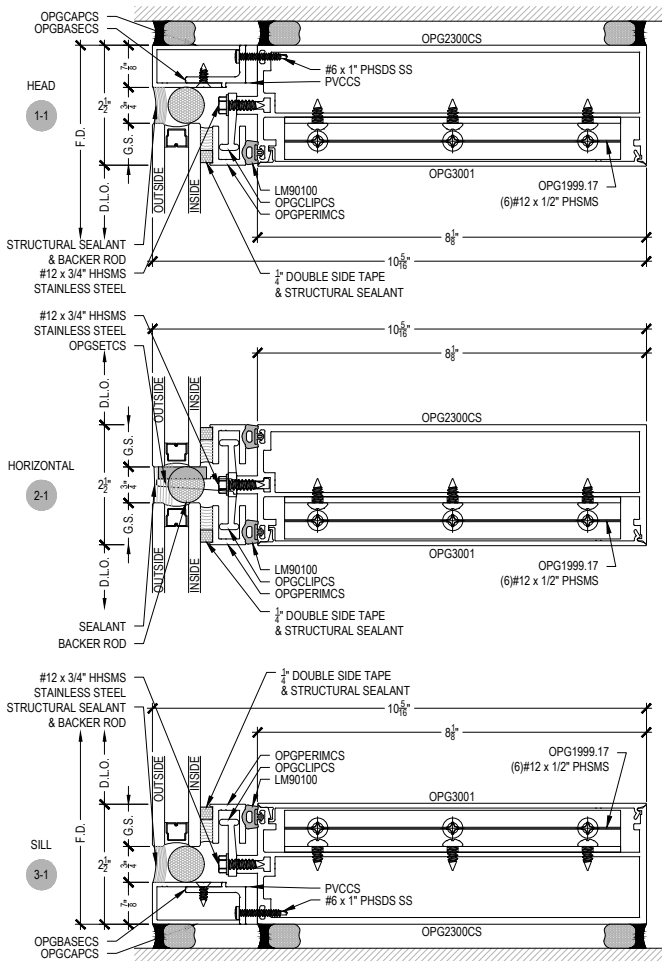
Description: 2 1/2" x 10 5/16" Glazed for 1" Glass

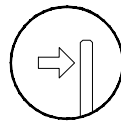
Function: Curtain Wall

Detail: Heads, Horizontals, Sills

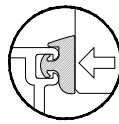
Scale: 3" = 1'-0"

SHEET 1 OF 8





Offset Glazed



Side Load

CASSETTE T500 SSG CLAD WALL

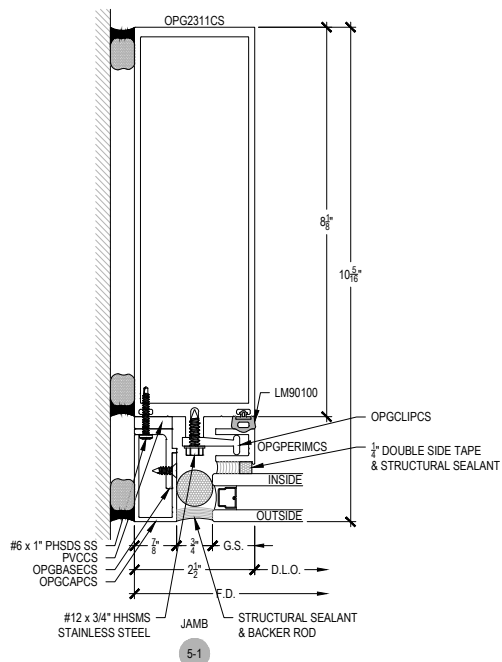
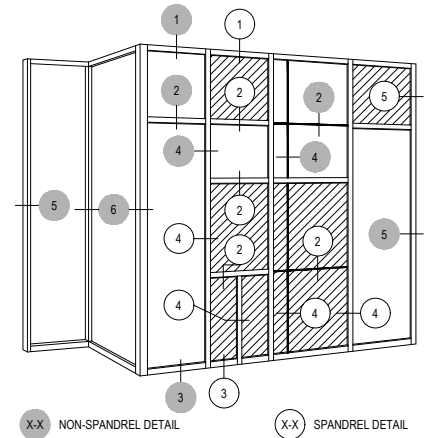
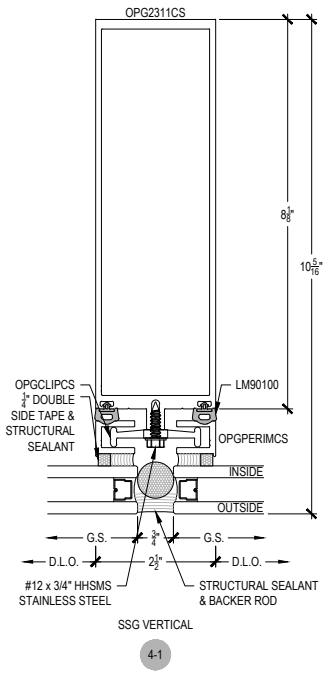
Description: 2 1/2" x 10 5/16" Glazed for 1" Glass

Function: Curtain Wall

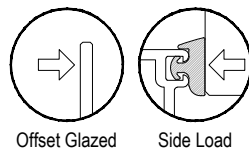
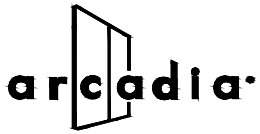
Detail: Verticals, Jamb

Scale: 3" = 1'-0"

SHEET 2 OF 8



NOTE:
SEE PARTS ID SHEETS FOR "F"
& "T" ANCHOR PARTS
NUMBERS TO EACH VERTICAL



CASSETTE T500 SSG CLAD WALL

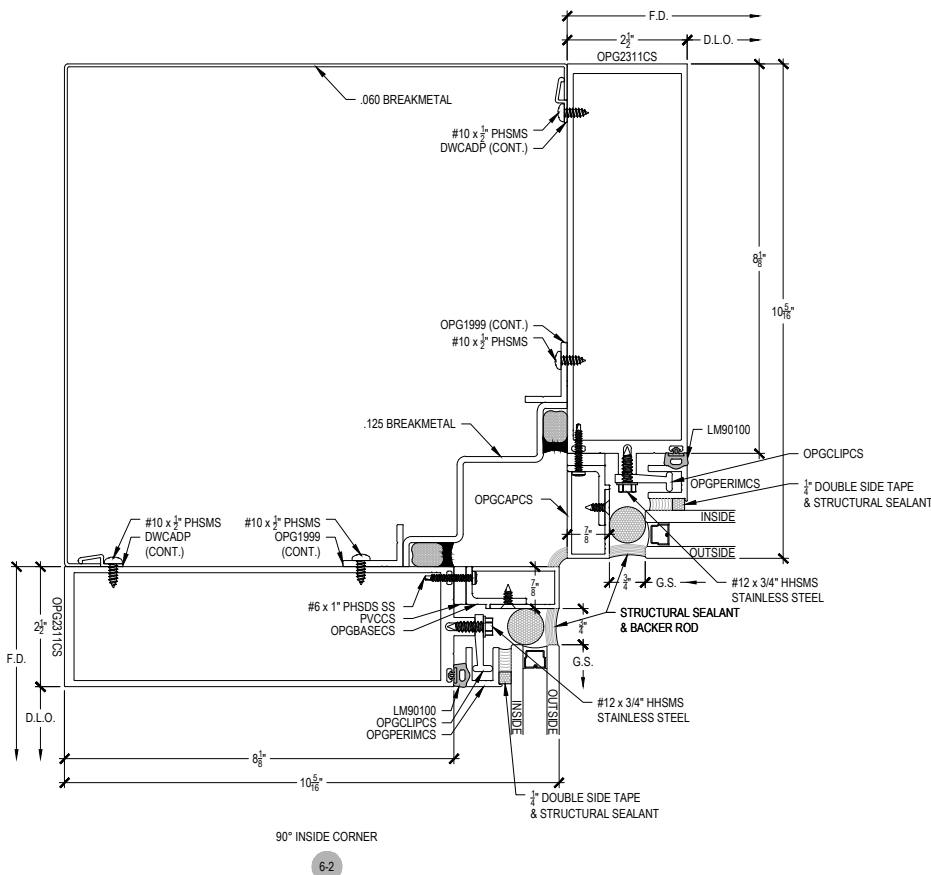
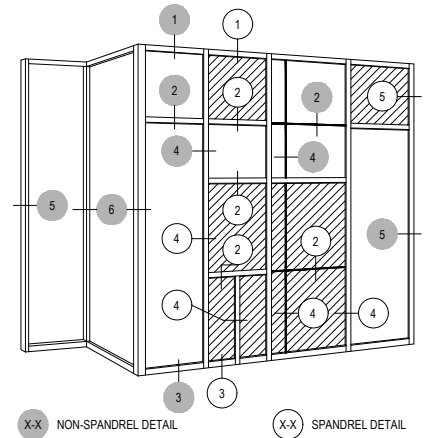
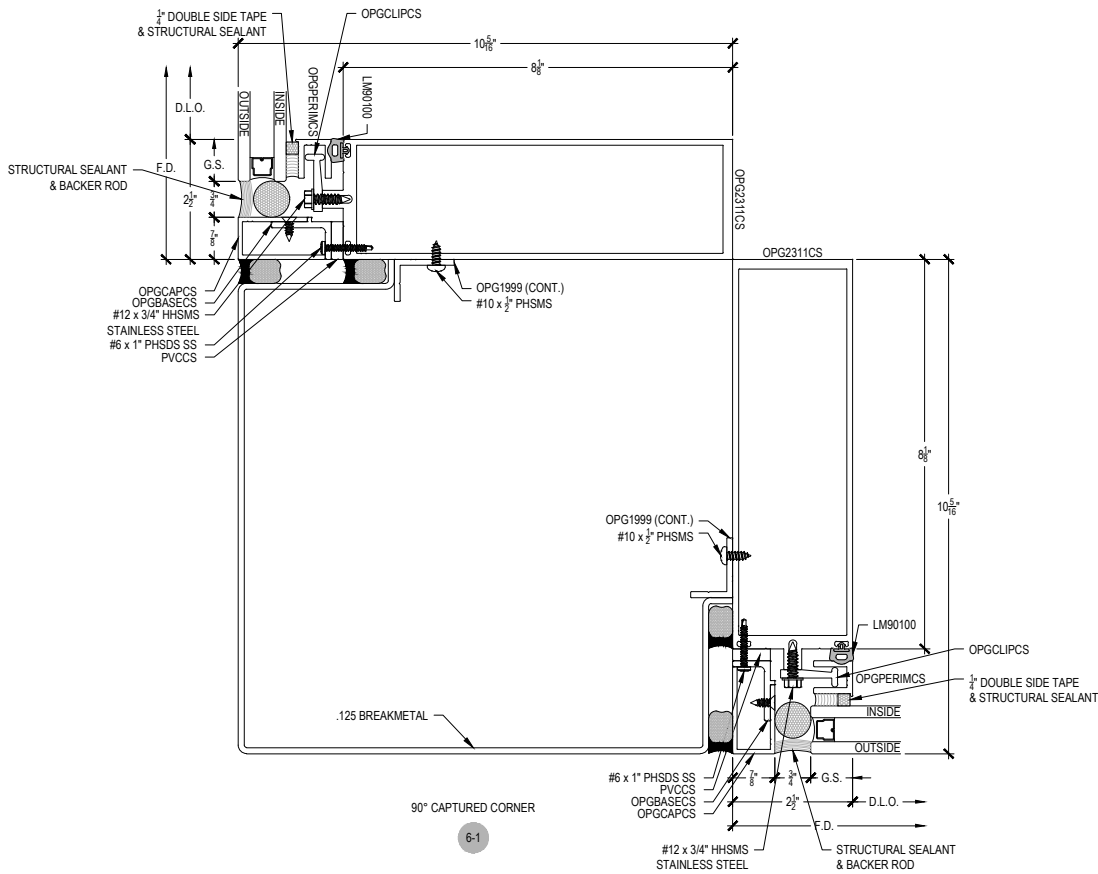
Description: 2 1/2" x 10 5/16" Glazed for 1" Glass

Function: Curtain Wall

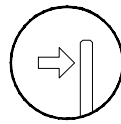
Detail: Corners

Scale: 3" = 1'-0"

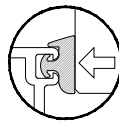
SHEET 3 OF 8



NOTE:
SEE PARTS ID SHEETS FOR "F"
& "T" ANCHOR PARTS
NUMBERS TO EACH VERTICAL



Offset Glazed



Side Load

CASSETTE T500 SSG CLAD WALL

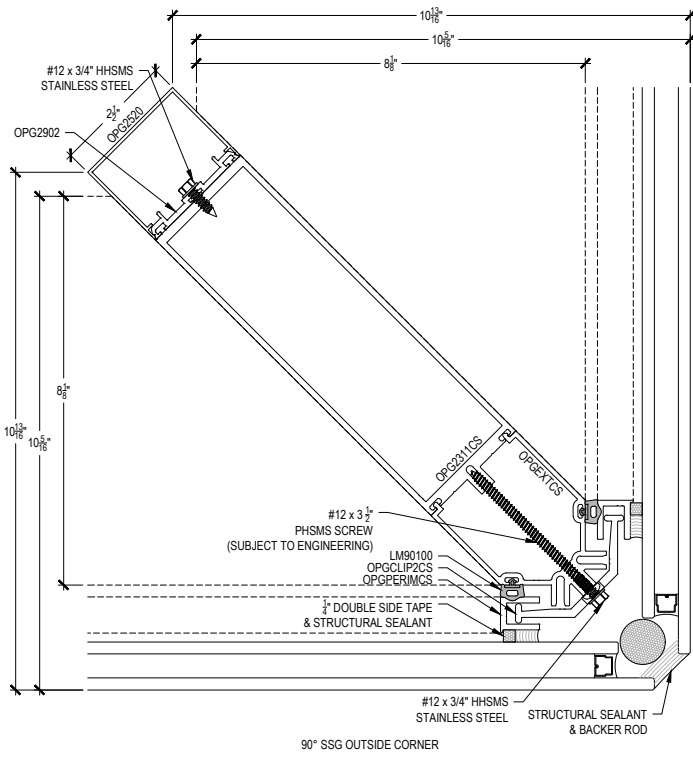
Description: 2 1/2" x 10 5/16" Glazed for 1" Glass

Function: Curtain Wall

Detail: Corners

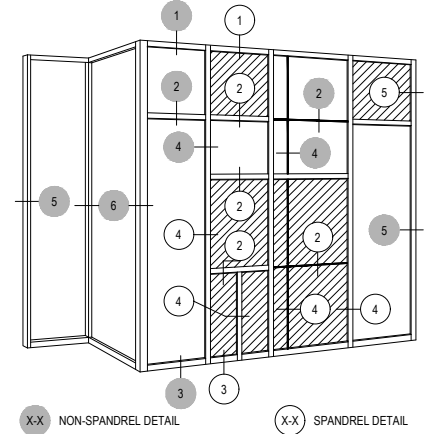
Scale: 3" = 1'-0"

SHEET 4 OF 8

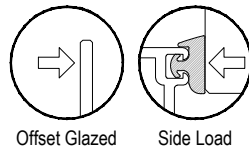


90° SSG OUTSIDE CORNER

6-3



NOTE:
SEE PARTS ID SHEETS FOR "F"
& "T" ANCHOR PARTS
NUMBERS TO EACH VERTICAL



Offset Glazed

Side Load

CASSETTE T500 SSG CLAD WALL

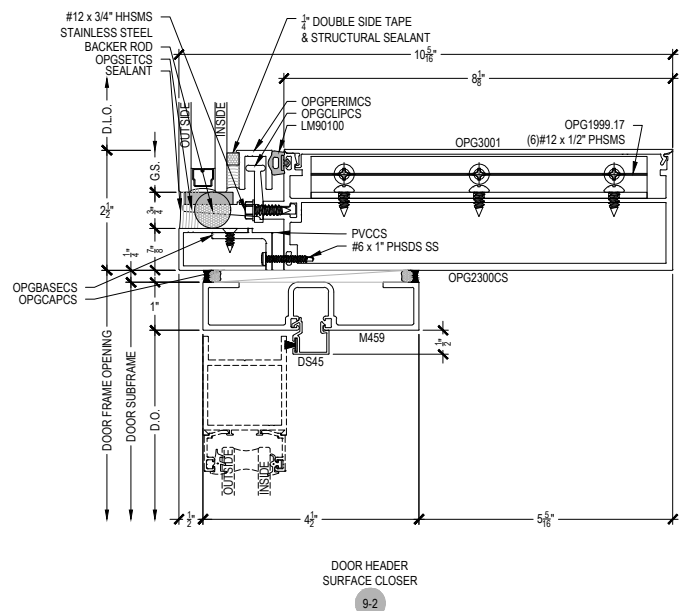
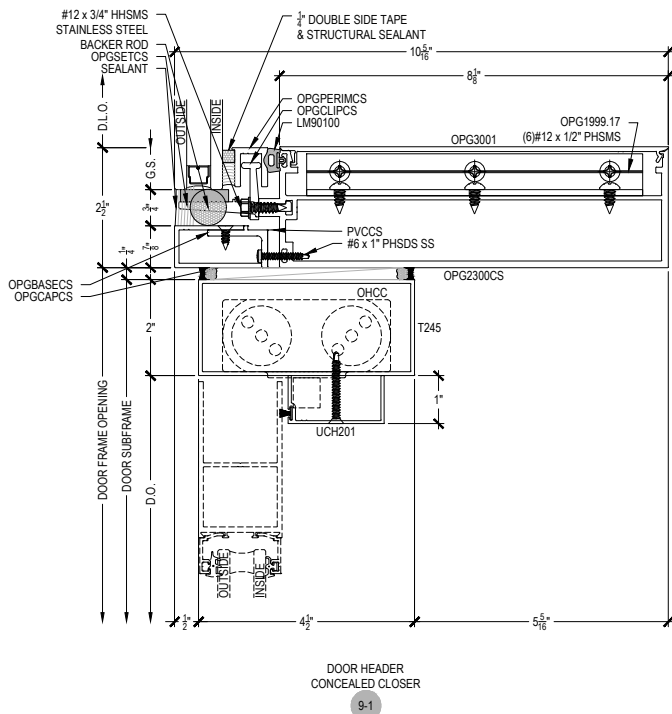
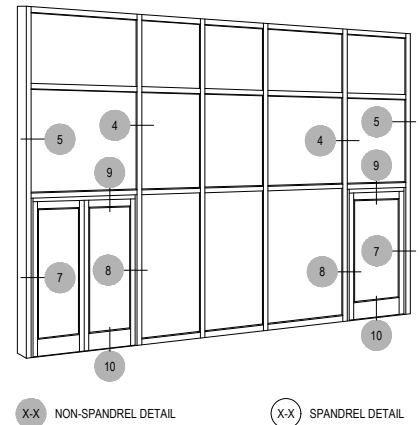
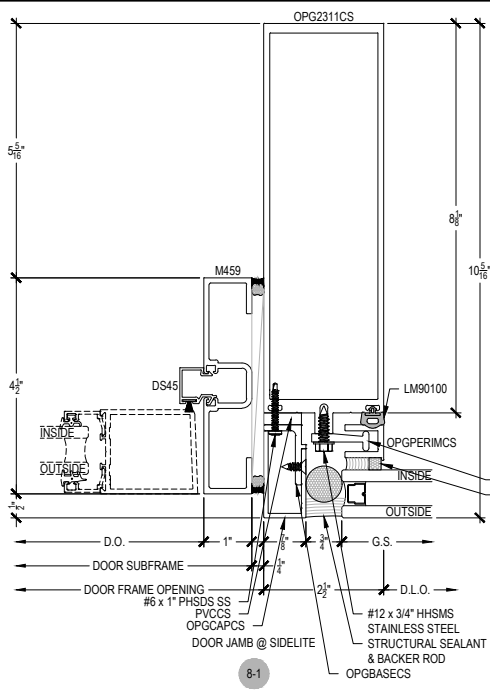
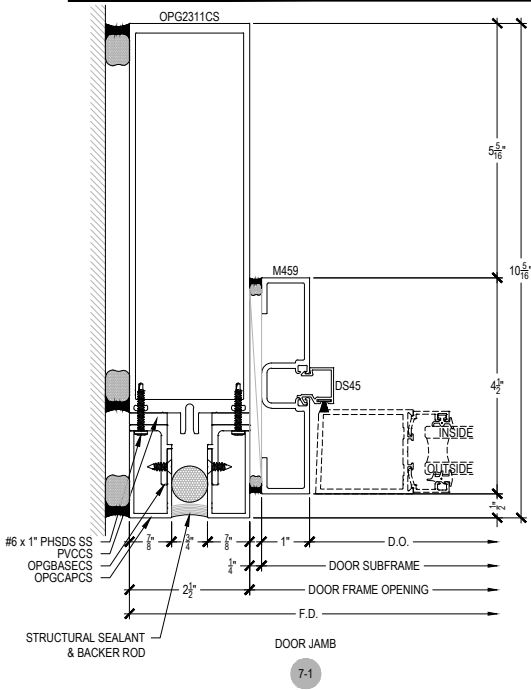
Description: 2 1/2" x 10 5/16" Glazed for 1" Glass

Function: Curtain Wall

Detail: Offset Hung Doors

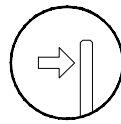
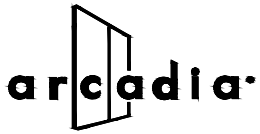
Scale: 3" = 1'-0"

SHEET 5 OF 8

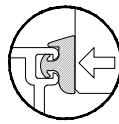


NOTE: SEE PARTS ID SHEETS FOR "F" & "T" ANCHOR PARTS

NOTE: FOR ALL DOOR OPTIONS SEE THE ENTRANCE SECTION OF ARCADIA, INC. WEBSITE.



Offset Glazed



Side Load

CASSETTE T500 SSG CLAD WALL

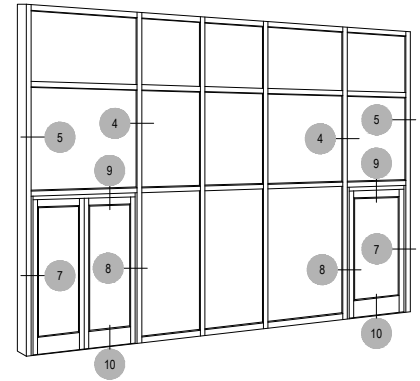
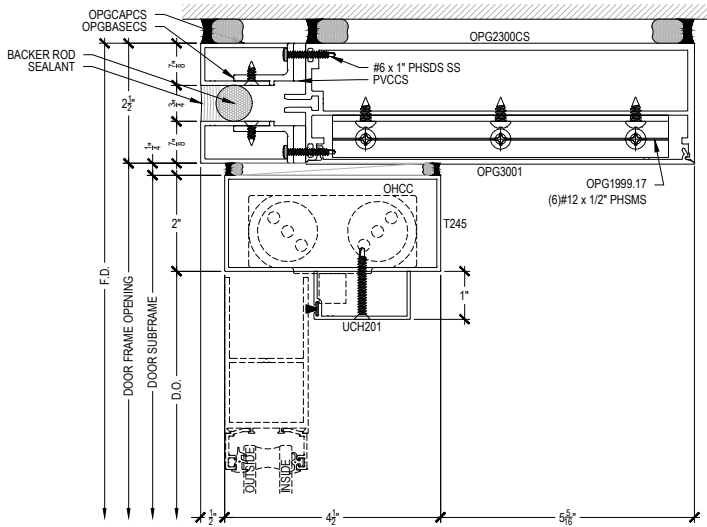
Description: 2 1/2" x 10 5/16" Glazed for 1" Glass

Function: Curtain Wall

Detail: Offset Hung Doors

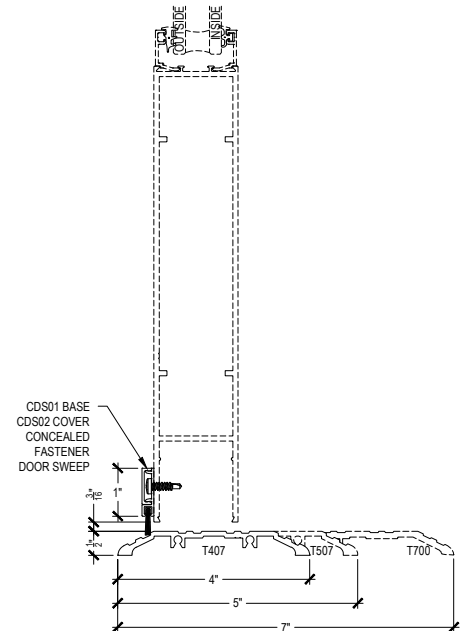
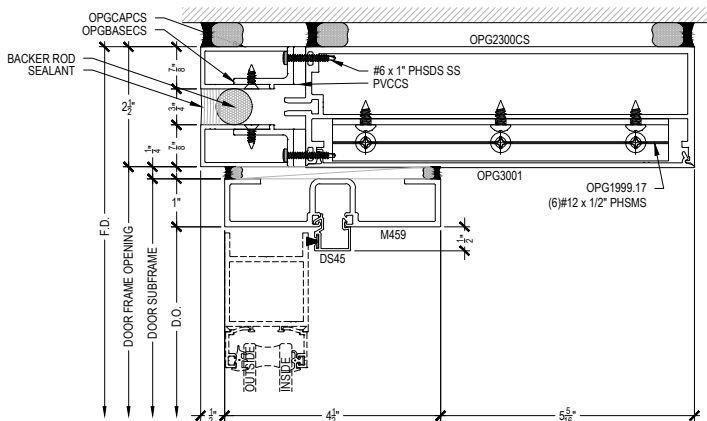
Scale: 3" = 1'-0"

SHEET 6 OF 8



X-X NON-SPANDREL DETAIL

X-X SPANDREL DETAIL



OPTIONAL THRESHOLDS
@ OFFSET HUNG DOOR

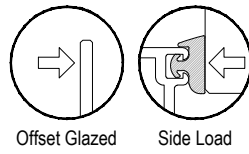
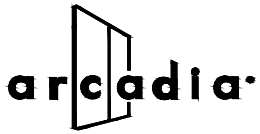
10-1

10-2

10-3

NOTE:
SEE PARTS ID SHEETS FOR "F"
& "T" ANCHOR PARTS
NUMBERS TO EACH VERTICAL.

NOTE:
FOR ALL DOOR OPTIONS SEE
THE ENTRANCE SECTION OF
ARCADIA, INC. WEBSITE.



Offset Glazed

Side Load

CASSETTE T500 SSG CLAD WALL

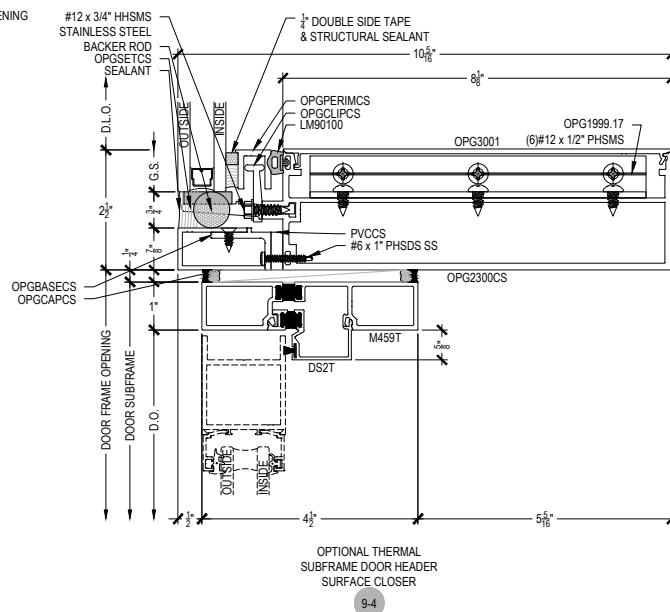
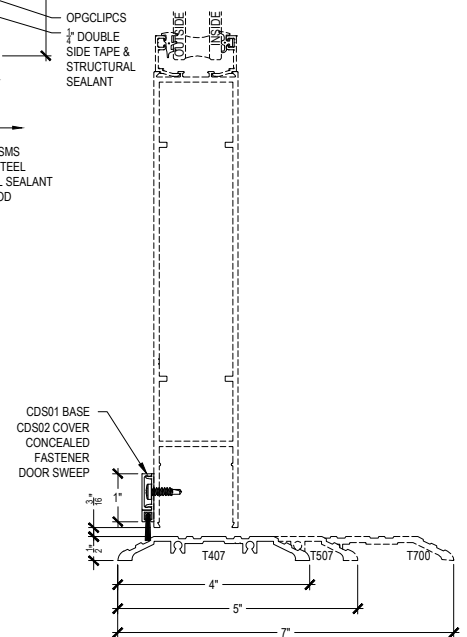
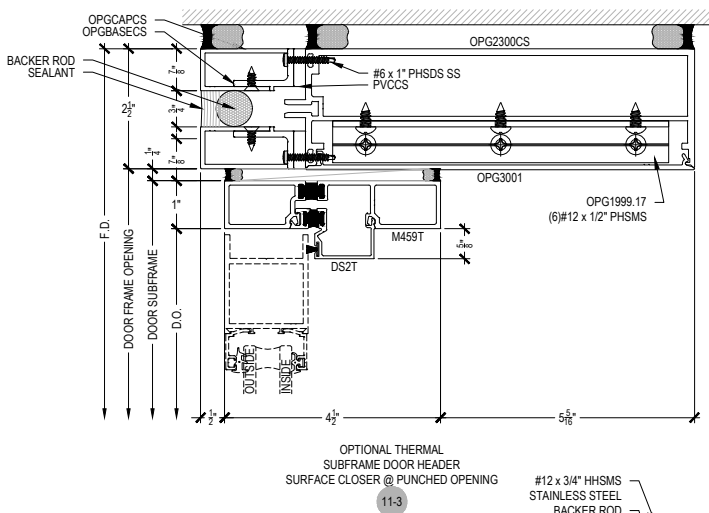
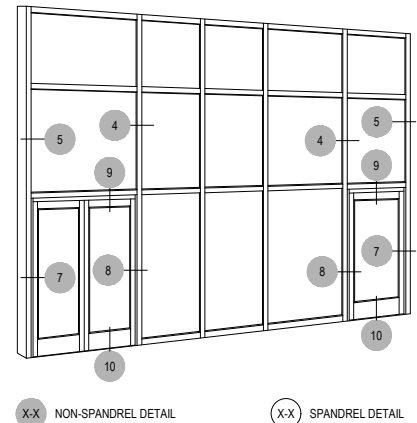
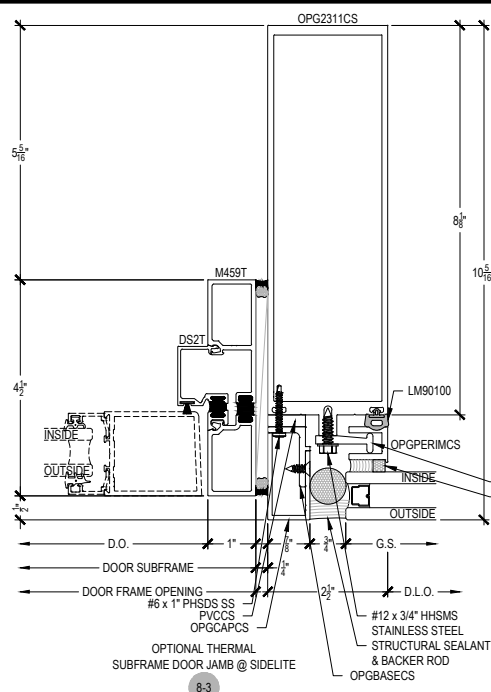
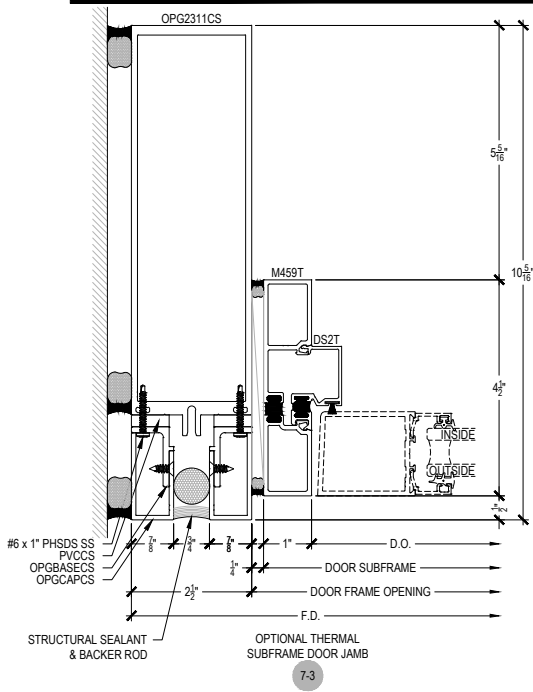
Description: 2 1/2" x 10 5/16" Glazed for 1" Glass

Function: Curtain Wall

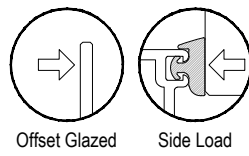
Detail: Offset Hung Doors & Options

Scale: 3" = 1'-0"

SHEET 7 OF 8



NOTE: SEE PARTS ID SHEETS FOR "F" & "T" ANCHOR PARTS FOR ALL DOOR OPTIONS SEE THE ENTRANCE SECTION OF ARCADIA, INC. WEBSITE.



Offset Glazed

Side Load

CASSETTE T500 SSG CLAD WALL

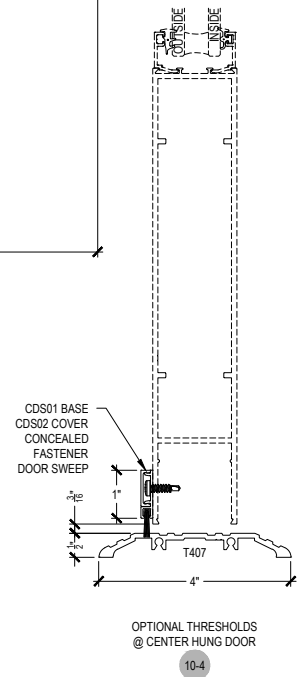
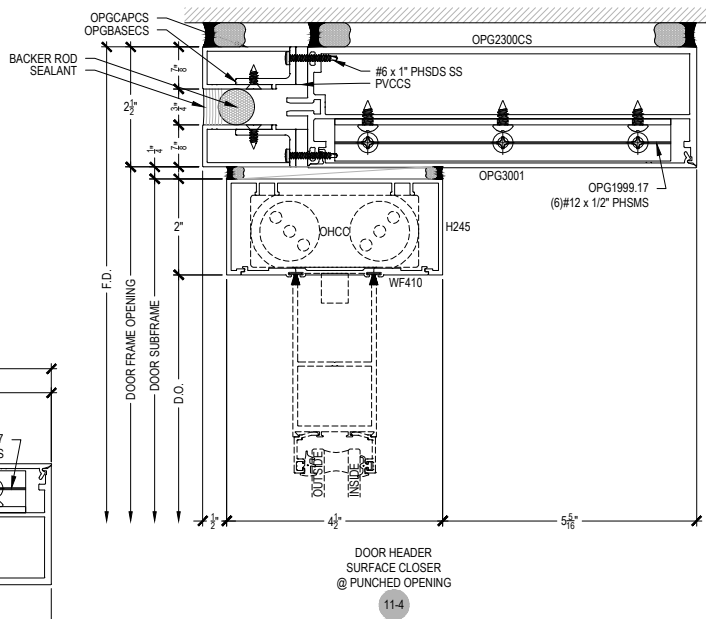
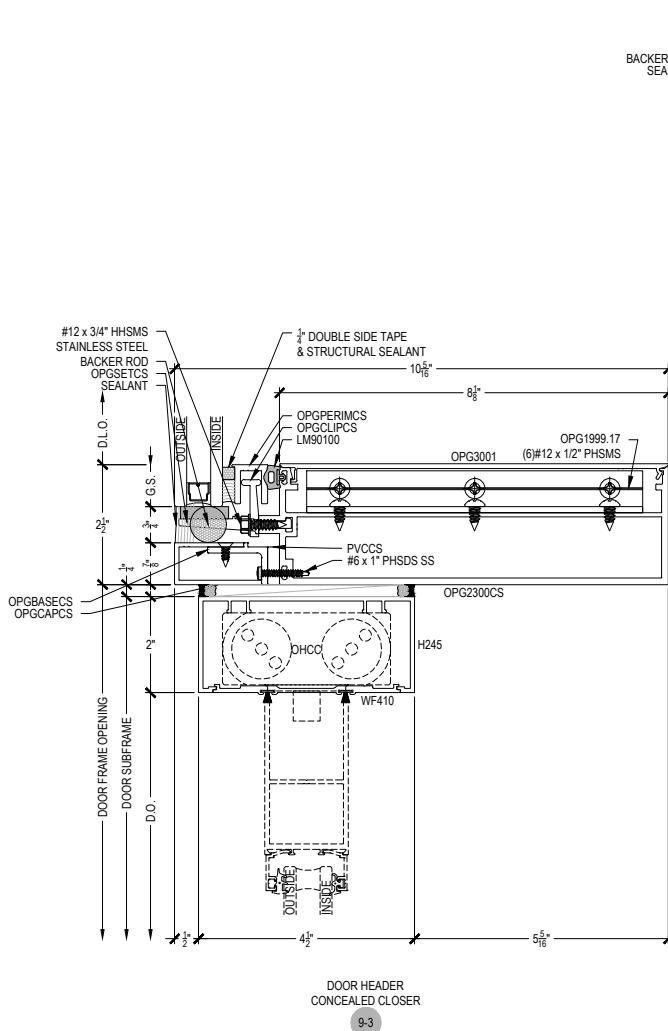
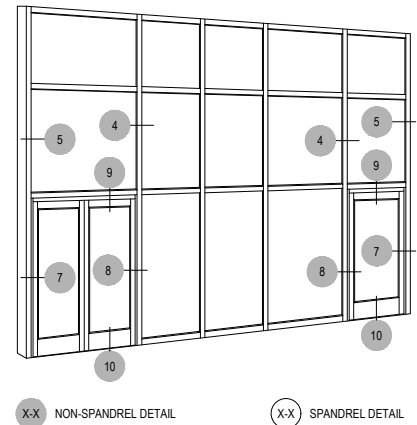
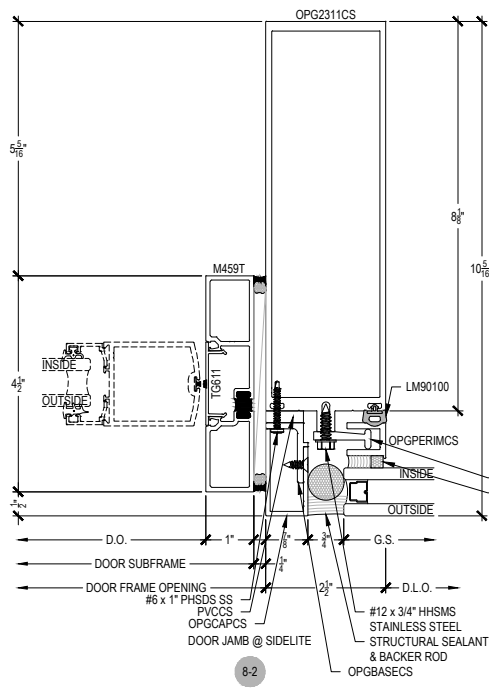
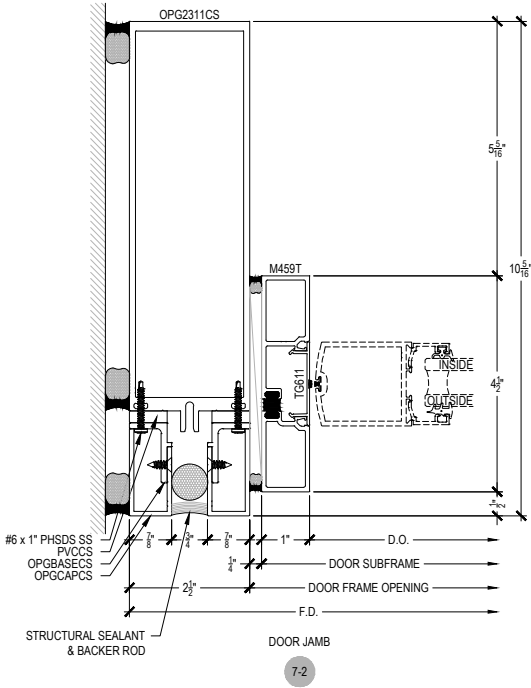
Description: 2 1/2" x 10 5/16" Glazed for 1" Glass

Function: Curtain Wall

Detail: Center Hung Doors

Scale: 3" = 1'-0"

SHEET 8 OF 8



NOTE: SEE PARTS ID SHEETS FOR "F" & "T" ANCHOR PARTS FOR ALL DOOR OPTIONS SEE THE ENTRANCE SECTION OF ARCADIA, INC. WEBSITE.