

Offset Glazed

Side Load

# CASSETTE T500 SSG CLAD WALL

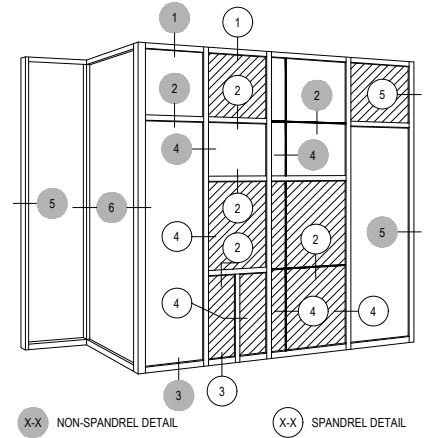
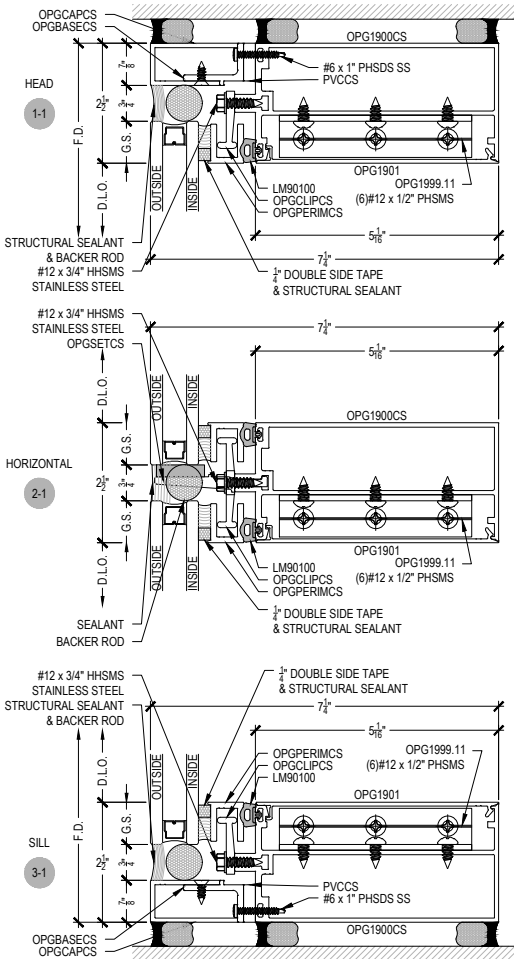
Description: 2 1/2" x 7 1/4" Glazed for 1" Glass

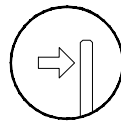
Function: Curtain Wall

Detail: Heads, Horizontals, Sills

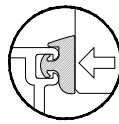
Scale: 3" = 1'-0"

SHEET 1 OF 7





Offset Glazed



Side Load

# CASSETTE T500 SSG CLAD WALL

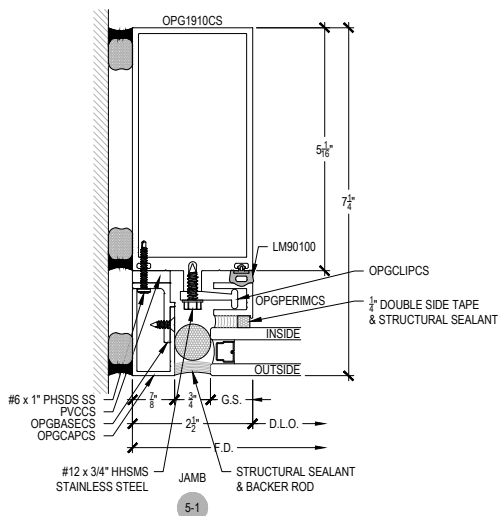
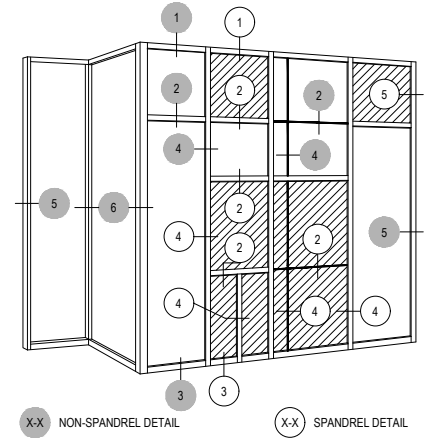
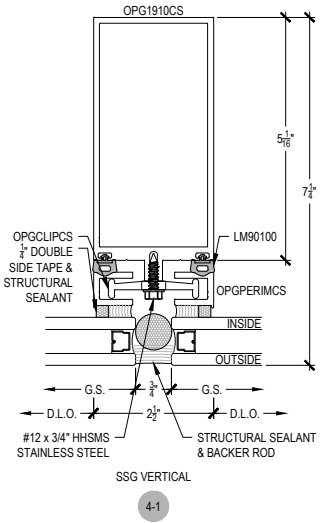
Description: 2 1/2" x 7 1/4" Glazed for 1" Glass

Function: Curtain Wall

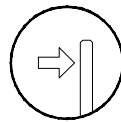
Detail: Verticals, Jamb

Scale: 3" = 1'-0"

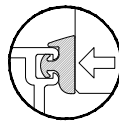
SHEET 2 OF 7



NOTE:  
SEE PARTS ID SHEETS FOR "F"  
& "T" ANCHOR PARTS  
NUMBERS TO EACH VERTICAL



Offset Glazed



Side Load

# CASSETTE T500 SSG CLAD WALL

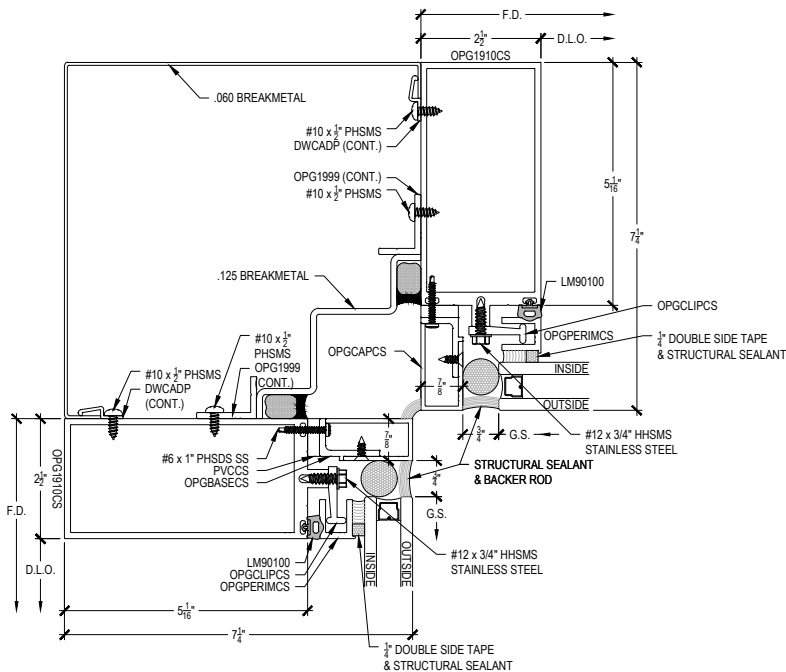
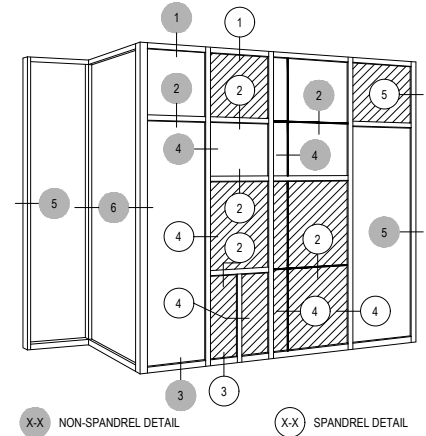
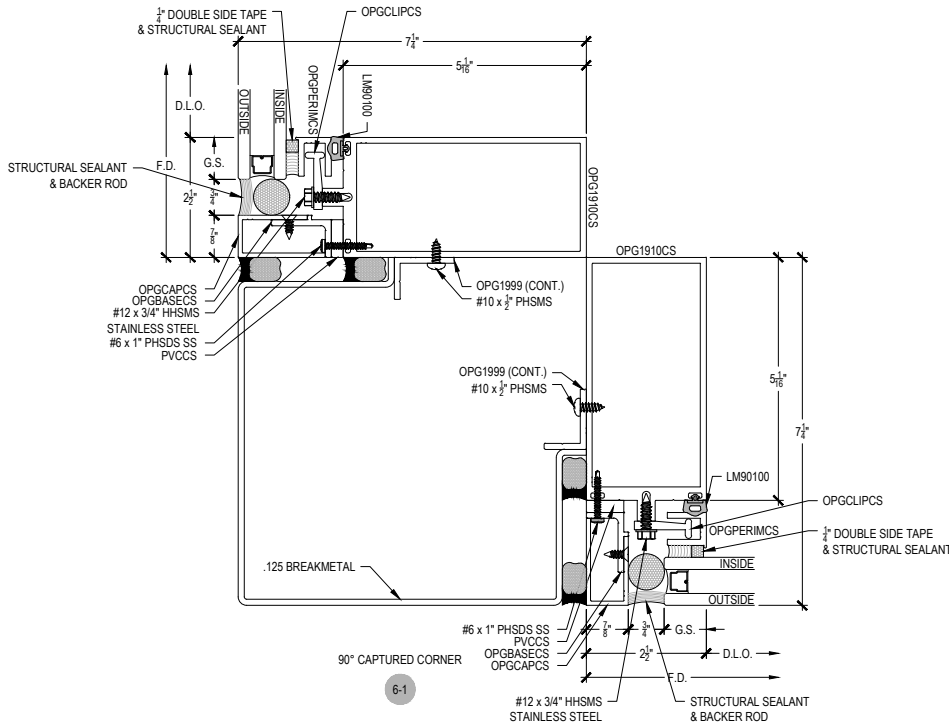
Description: 2 1/2" x 7 1/4" Glazed for 1" Glass

Function: Curtain Wall

Detail: Corners

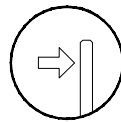
Scale: 3" = 1'-0"

SHEET 3 OF 7

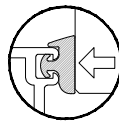


NOTE:  
SEE PARTS ID SHEETS FOR "F"  
& "T" ANCHOR PARTS  
NUMBERS TO EACH VERTICAL





Offset Glazed



Side Load

# CASSETTE T500 SSG CLAD WALL

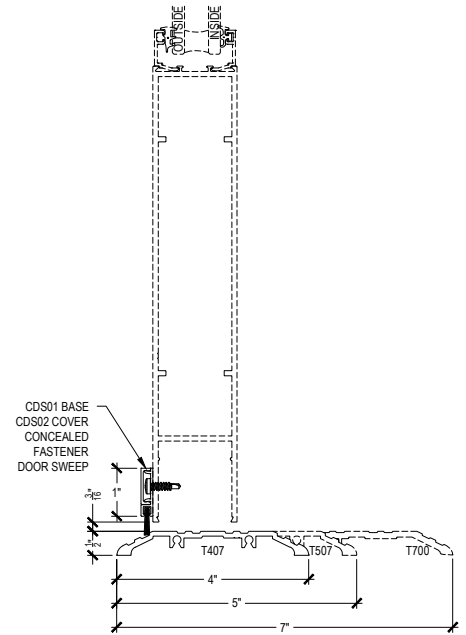
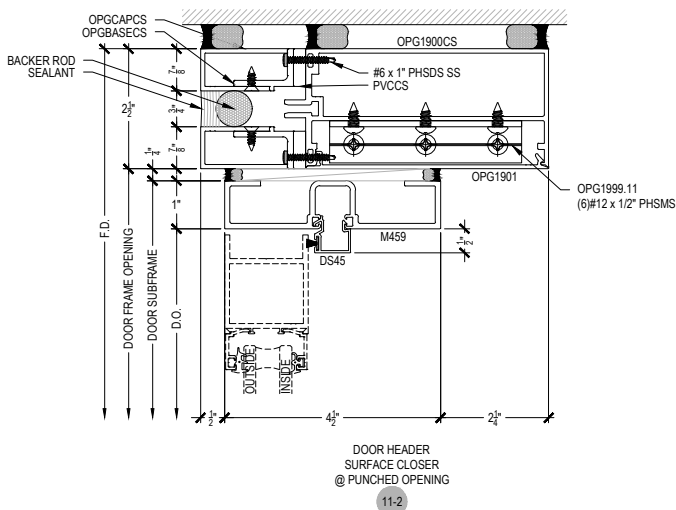
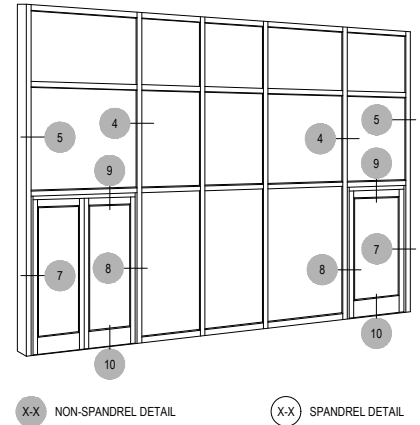
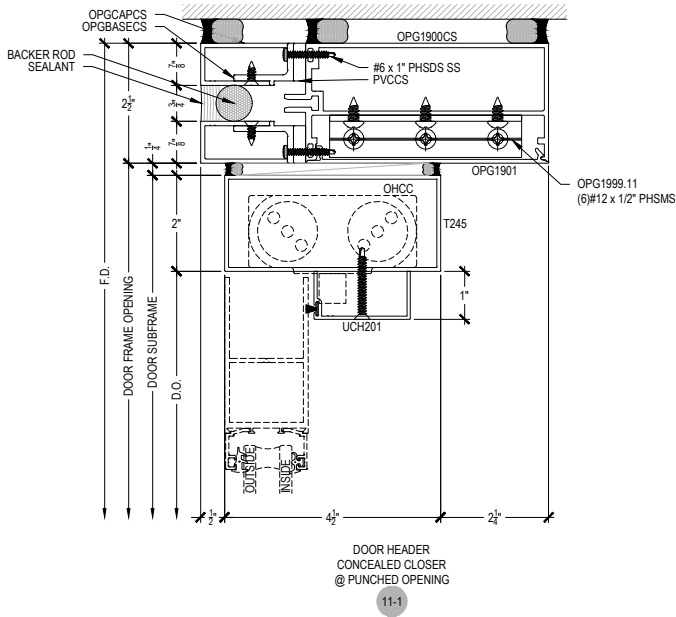
Description: 2 1/2" x 7 1/4" Glazed for 1" Glass

Function: Curtain Wall

Detail: Offset Hung Doors

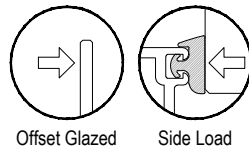
Scale: 3" = 1'-0"

SHEET 5 OF 7



NOTE: SEE PARTS ID SHEETS FOR "F" & "T" ANCHOR PARTS NUMBERS TO EACH VERTICAL.

NOTE: FOR ALL DOOR OPTIONS SEE THE ENTRANCE SECTION OF ARCADIA, INC. WEBSITE.



# CASSETTE T500 SSG CLAD WALL

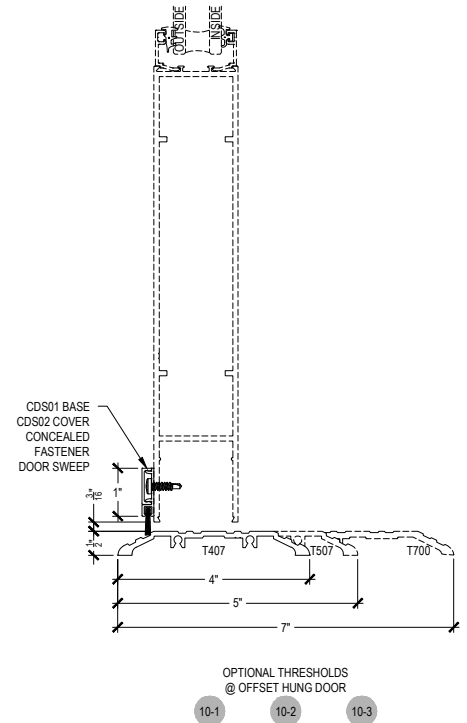
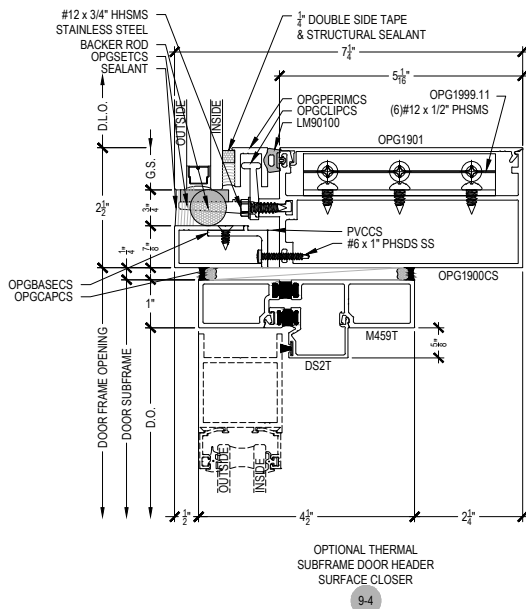
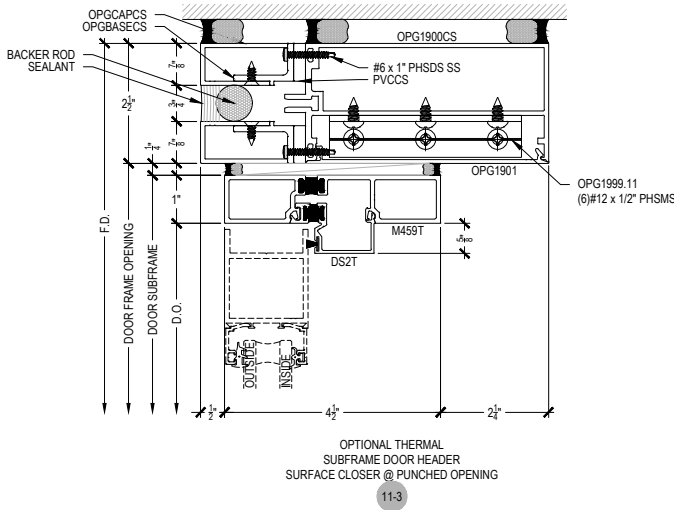
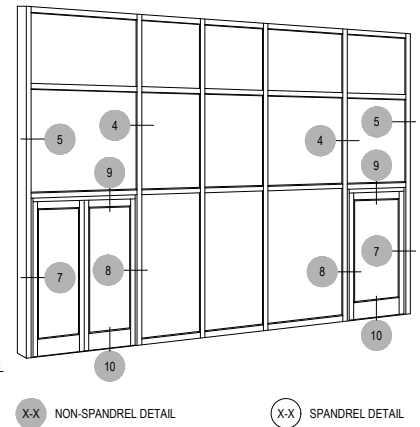
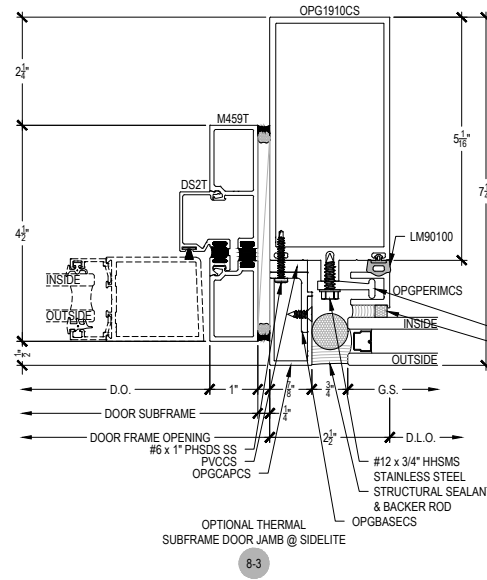
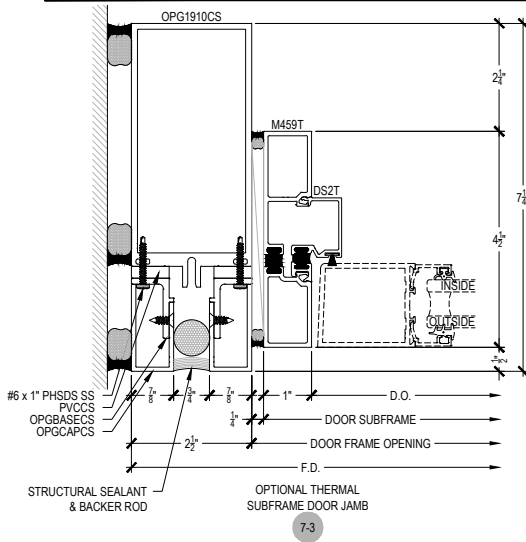
Description: 2 1/2" x 7 1/4" Glazed for 1" Glass

Function: Curtain Wall

Detail: Offset Hung Doors & Options

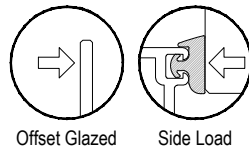
Scale: 3" = 1'-0"

SHEET 6 OF 7



NOTE: SEE PARTS ID SHEETS FOR "F" & "T" ANCHOR PARTS TO EACH VERTICAL.

NOTE: FOR ALL DOOR OPTIONS SEE THE ENTRANCE SECTION OF ARCADIA, INC. WEBSITE.



Offset Glazed

Side Load

# CASSETTE T500 SSG CLAD WALL

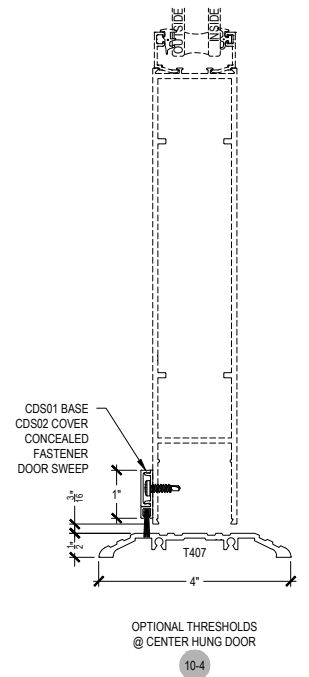
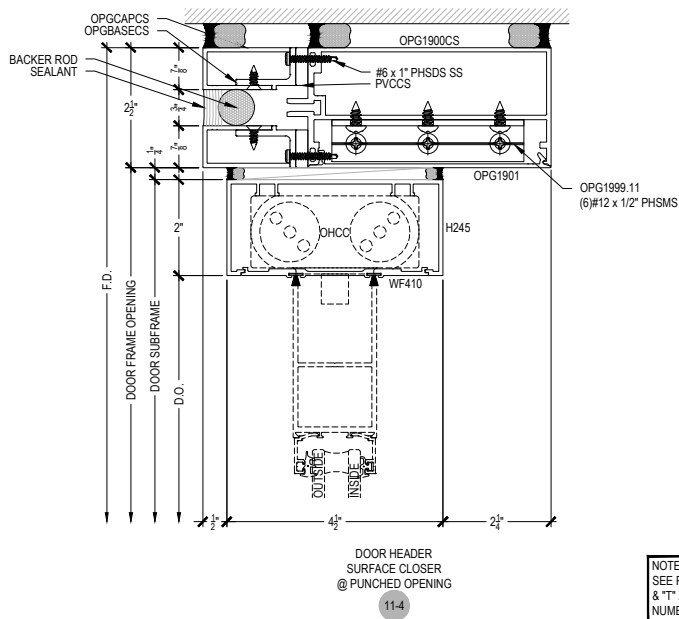
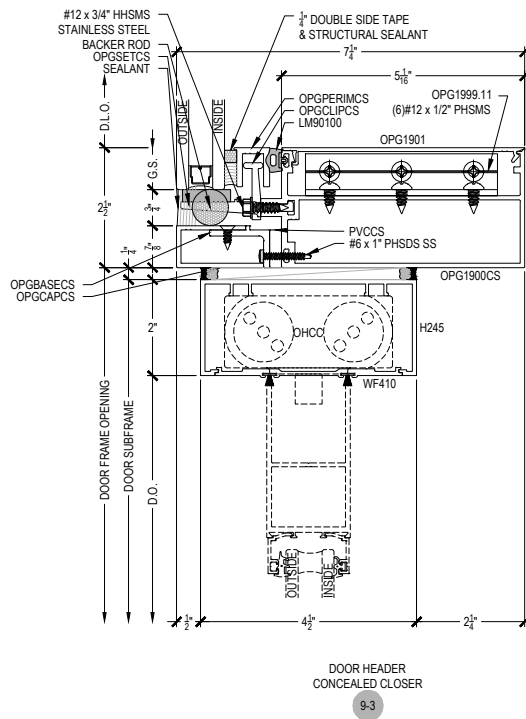
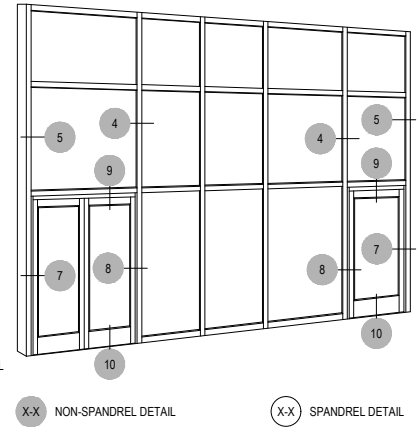
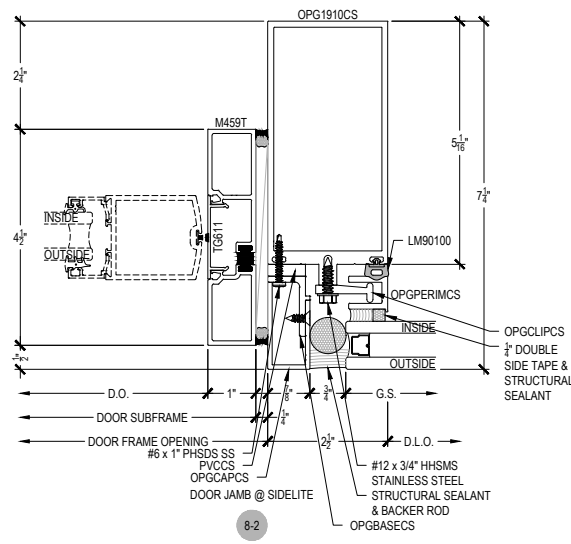
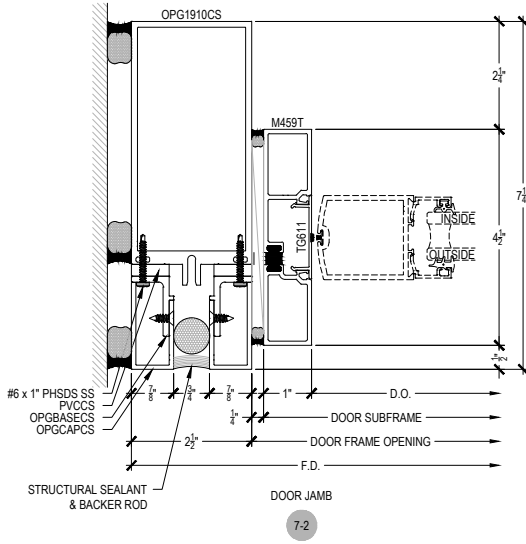
Description: 2 1/2" x 7 1/4" Glazed for 1" Glass

Function: Curtain Wall

Detail: Center Hung Doors

Scale: 3" = 1'-0"

SHEET 7 OF 7



NOTE: SEE PARTS ID SHEETS FOR "F" & "T" ANCHOR PARTS NUMBERS TO EACH VERTICAL.

NOTE: FOR ALL DOOR OPTIONS SEE THE ENTRANCE SECTION OF ARCADIA, INC. WEBSITE.