

Offset Glazed
Optional Projected Cover Caps Available

Side Load

Thermal

T500 (OPG1900) Series

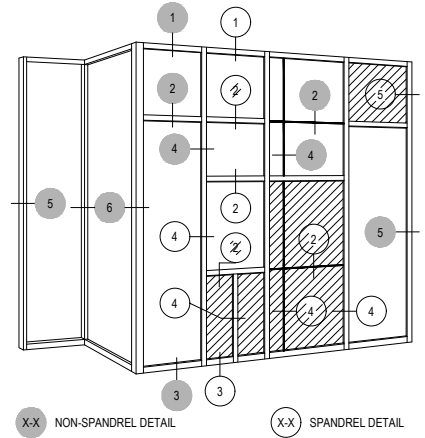
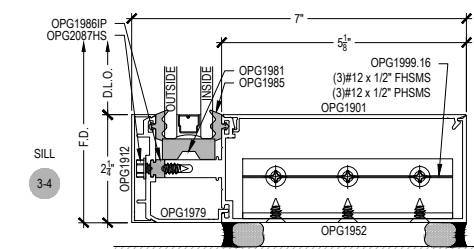
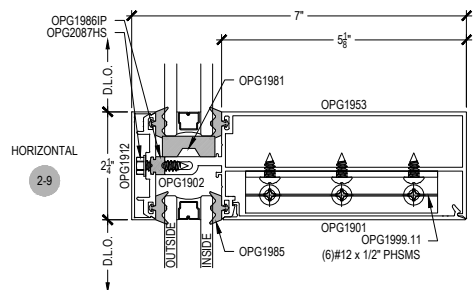
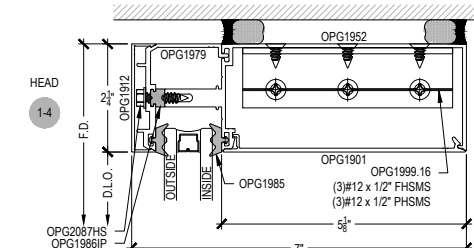
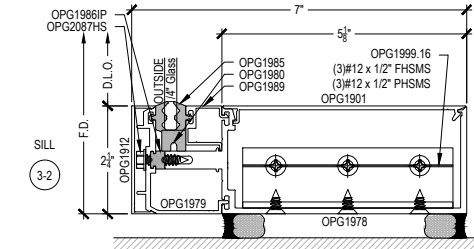
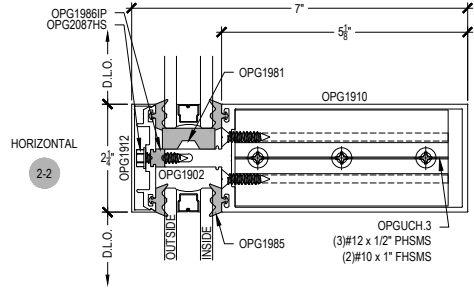
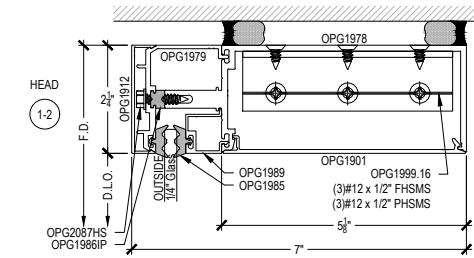
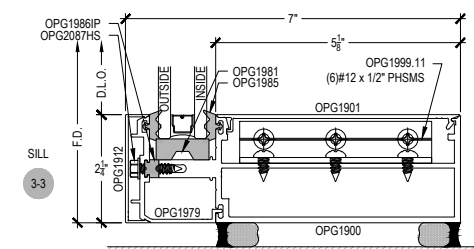
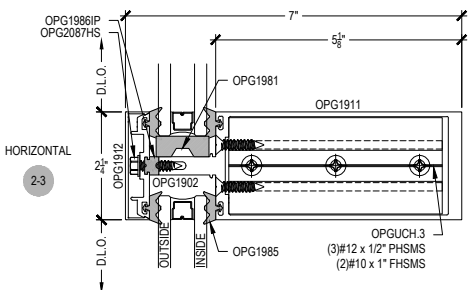
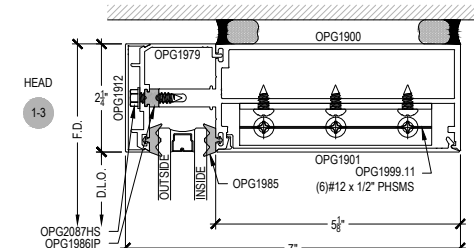
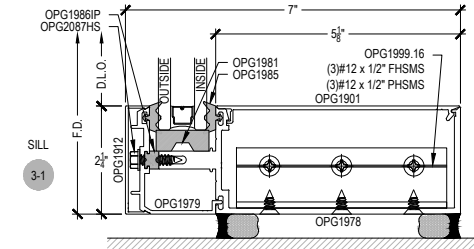
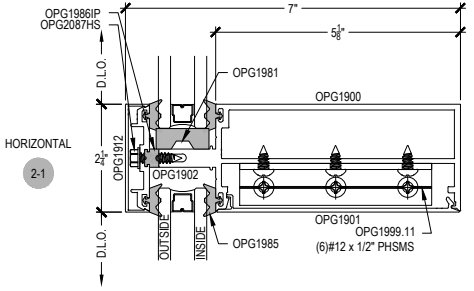
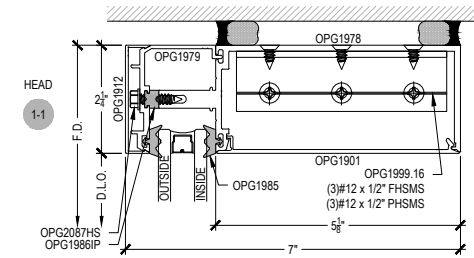
Description: 2 1/4" x 7" Glazed for 1/4" - 1-11/16" Glass

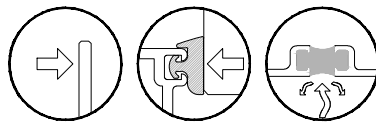
Function: Curtain Wall

Detail: Heads, Horizontals, Sills

Scale: 3" = 1'-0"

SHEET 1 OF 14





Offset Glazed Side Load Thermal
Optional Projected Cover Caps Available

T500 (OPG1900) Series

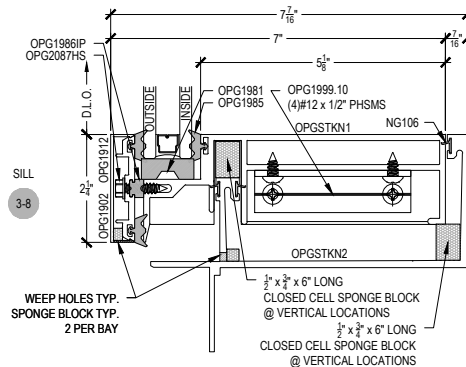
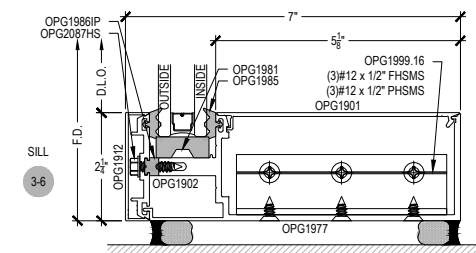
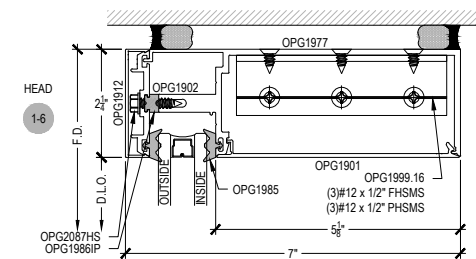
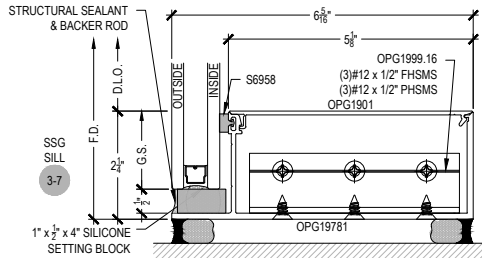
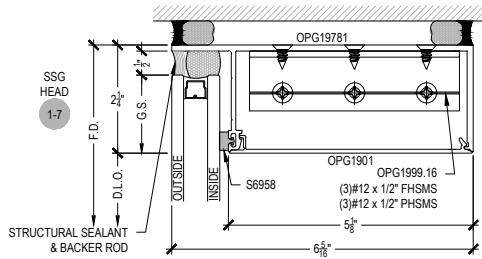
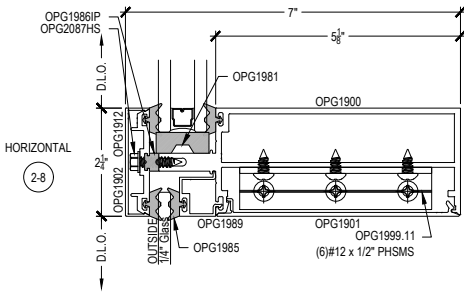
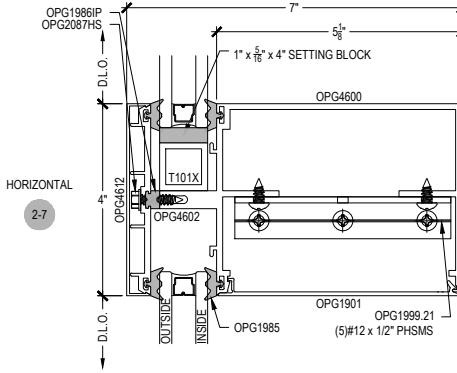
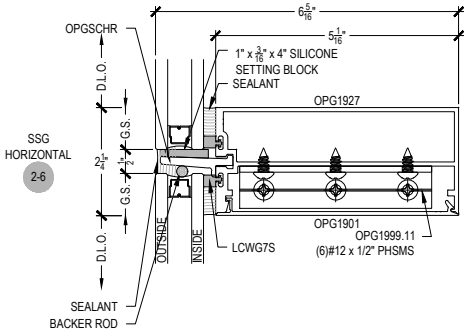
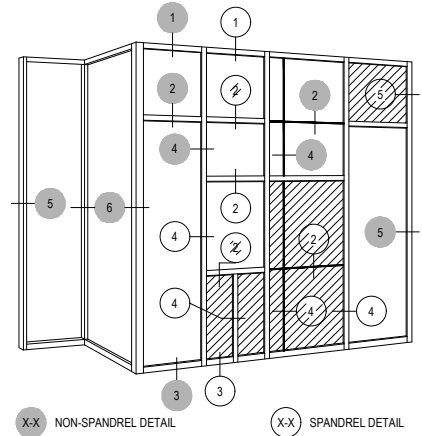
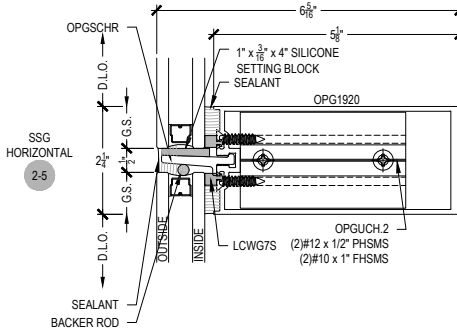
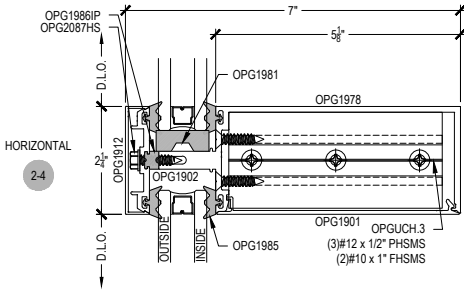
Description: 2 1/4" x 7" Glazed for 1/4" - 1-11/16" Glass

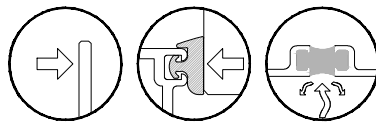
Function: Curtain Wall

Detail: Heads, Horizontals, Sills

Scale: 3" = 1'-0"

SHEET 2 OF 14





Offset Glazed Side Load Thermal
Optional Projected Cover Caps Available

T500 (OPG1900) Series

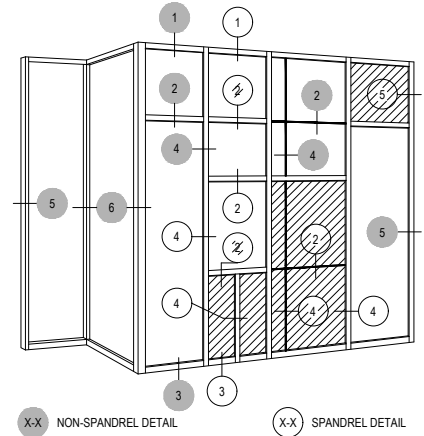
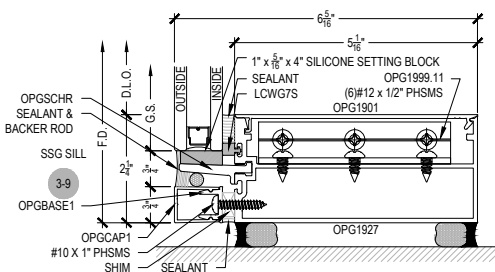
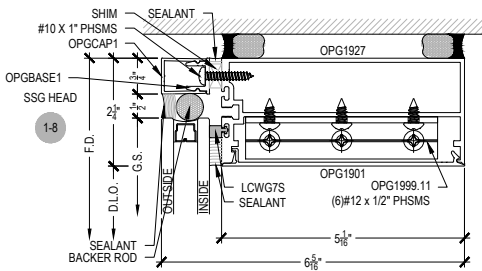
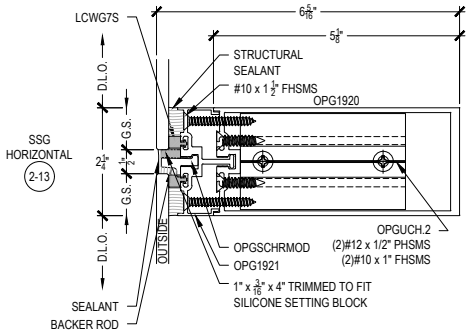
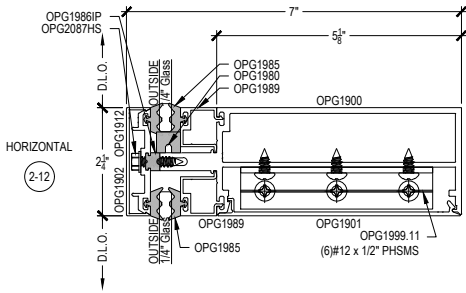
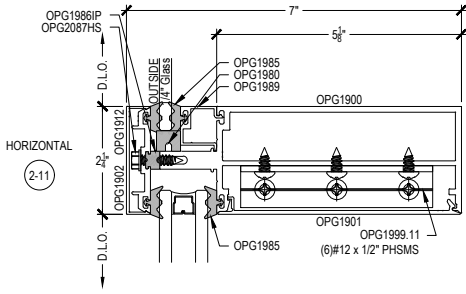
Description: 2 1/4" x 7" Glazed for 1/4" - 1-11/16" Glass

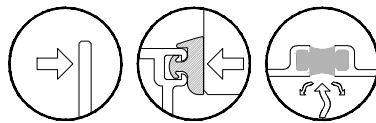
Function: Curtain Wall

Detail: Heads, Horizontals, Sills

Scale: 3" = 1'-0"

SHEET 3 OF 14





Offset Glazed Side Load Thermal
Optional Projected Cover Caps Available

T500 (OPG1900) Series

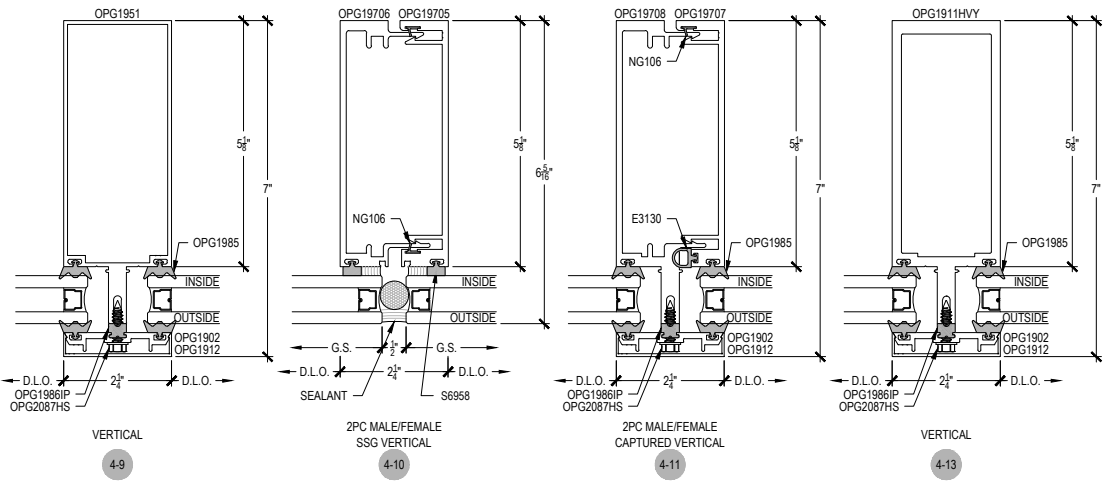
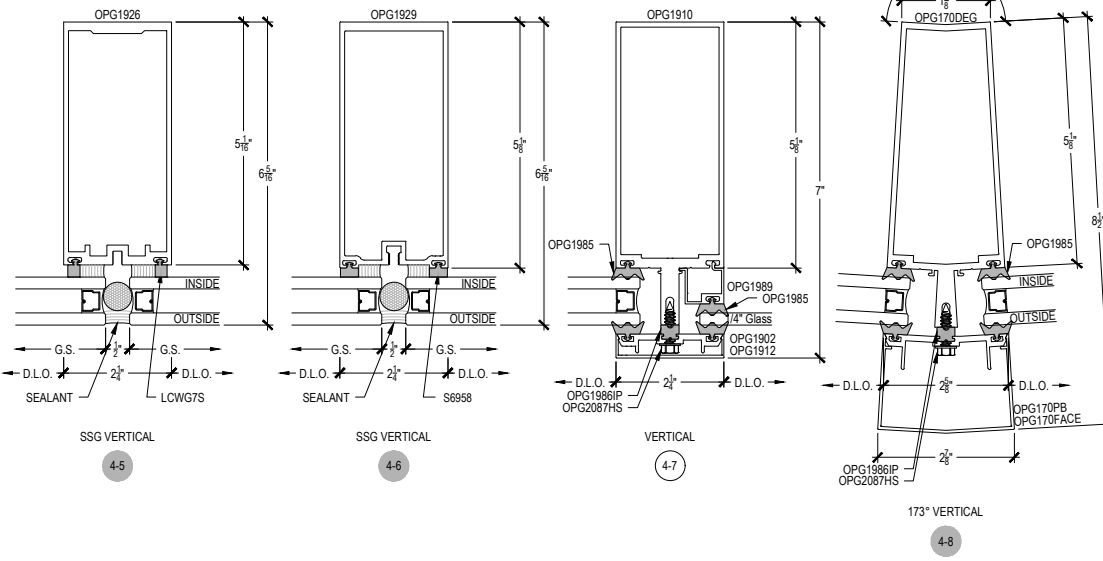
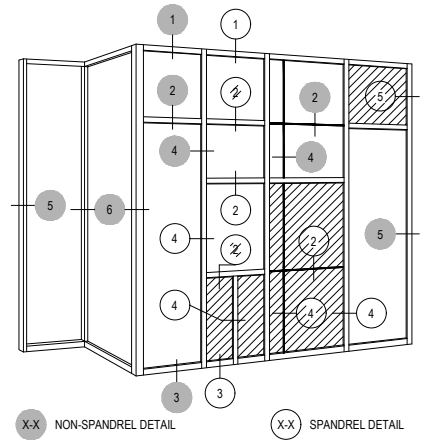
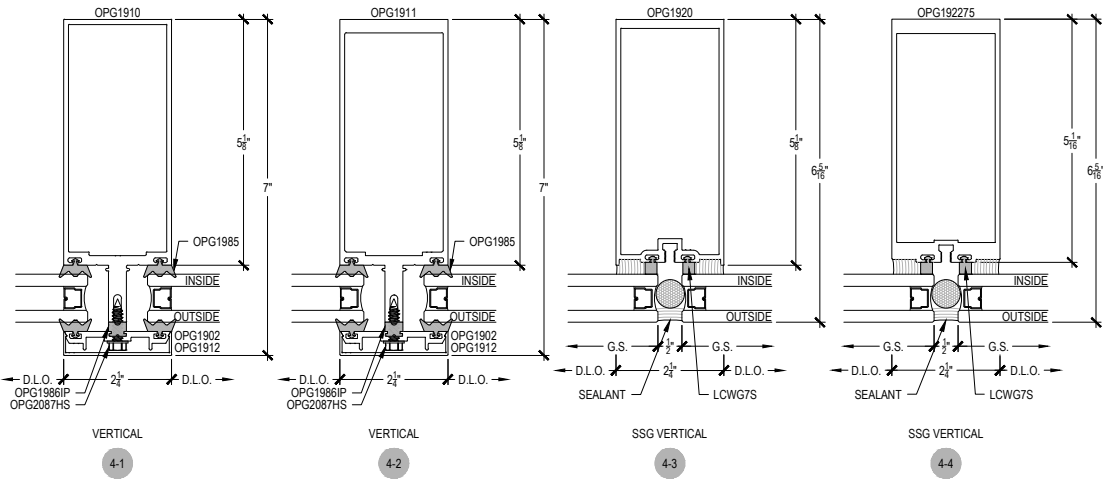
Description: 2 1/4" x 7" Glazed for 1/4" - 1-11/16" Glass

Function: Curtain Wall

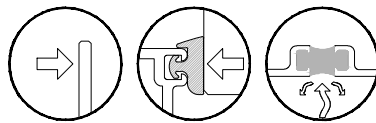
Detail: Verticals

Scale: 3" = 1'-0"

SHEET 4 OF 14



NOTE:
SEE PARTS ID SHEETS FOR "F"
& "T" ANCHOR PARTS
NUMBERS TO EACH VERTICAL



Offset Glazed
Optional Projected Cover Caps Available

Side Load

Thermal

T500 (OPG1900) Series

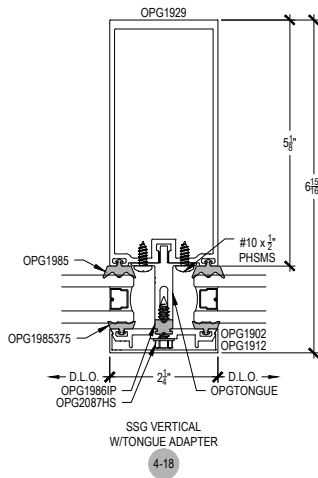
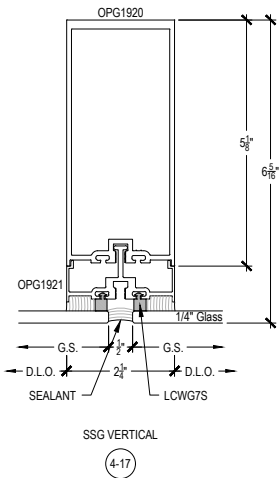
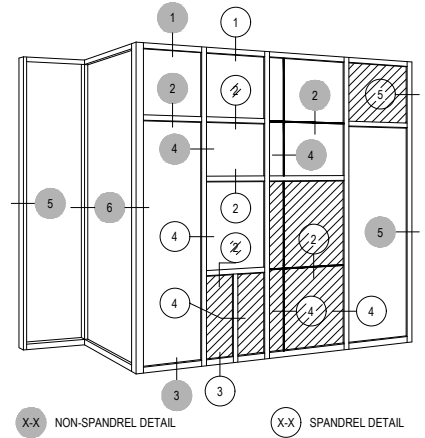
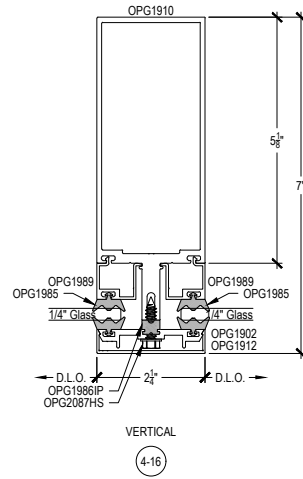
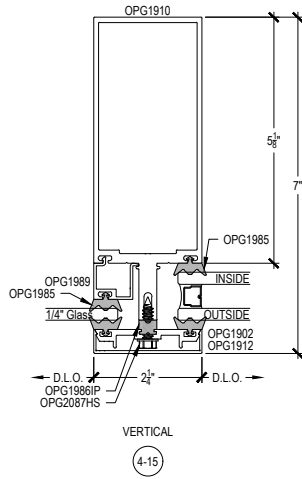
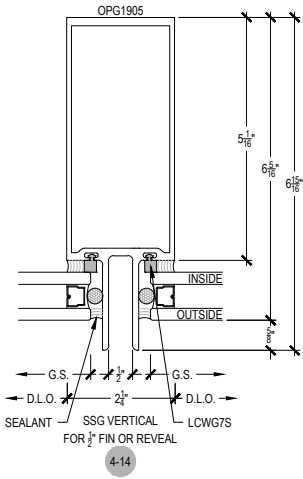
Description: 2 1/4" x 7" Glazed for 1/4" - 1-11/16" Glass

Function: Curtain Wall

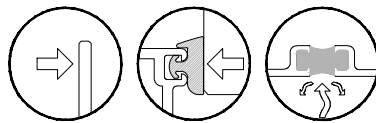
Detail: Verticals

Scale: 3" = 1'-0"

SHEET 5 OF 14



NOTE:
SEE PARTS ID SHEETS FOR "F"
& "T" ANCHOR PARTS
NUMBERS TO EACH VERTICAL



Offset Glazed Side Load Thermal
Optional Projected Cover Caps Available

T500 (OPG1900) Series

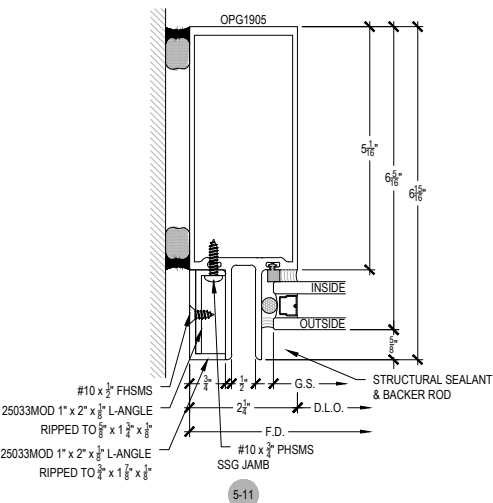
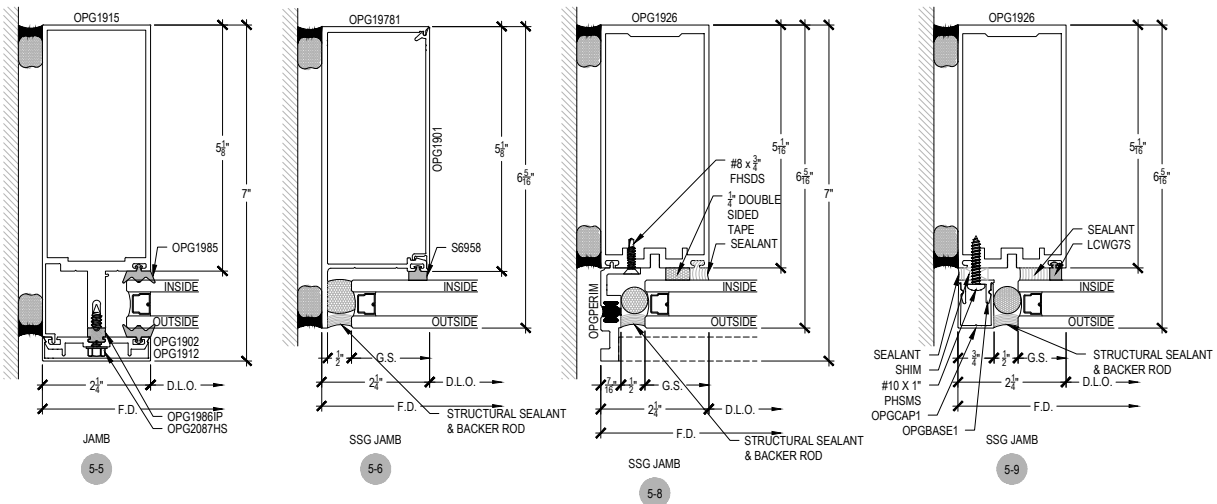
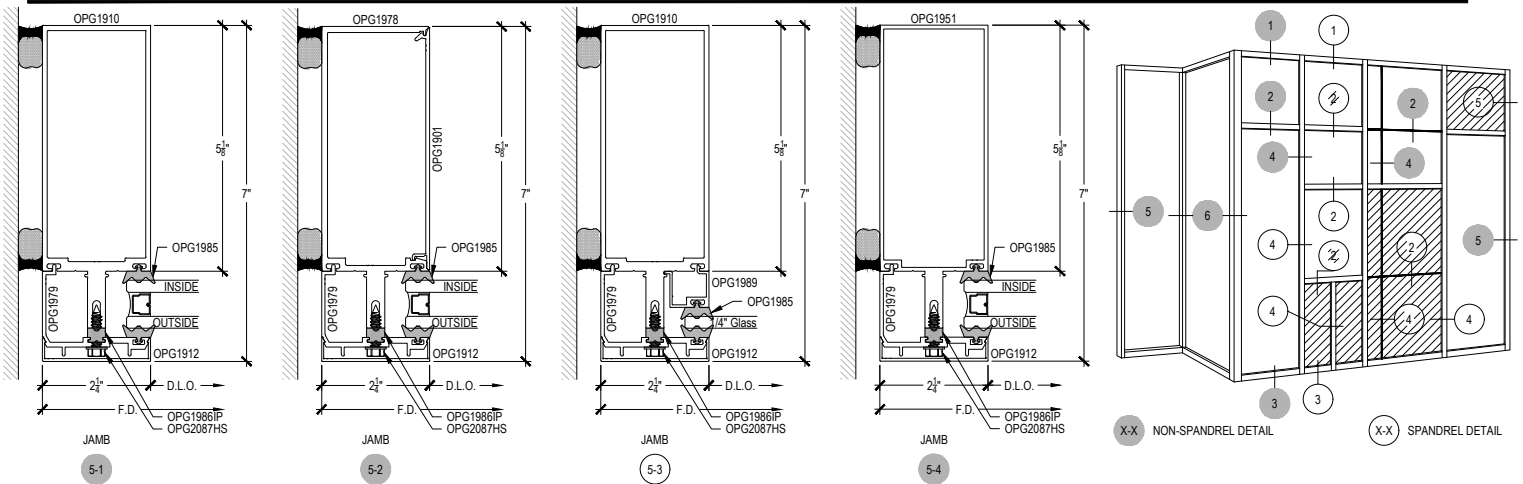
Description: 2 1/4" x 7" Glazed for 1/4" - 1-11/16" Glass

Function: Curtain Wall

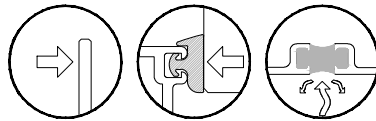
Detail: Jamb

Scale: 3" = 1'-0"

SHEET 6 OF 14



NOTE:
SEE PARTS ID SHEETS FOR "F"
& "T" ANCHOR PARTS
NUMBERS TO EACH VERTICAL



Offset Glazed Side Load Thermal
Optional Projected Cover Caps Available

T500 (OPG1900) Series

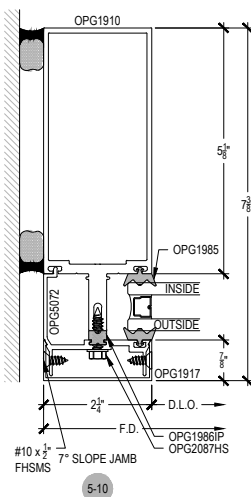
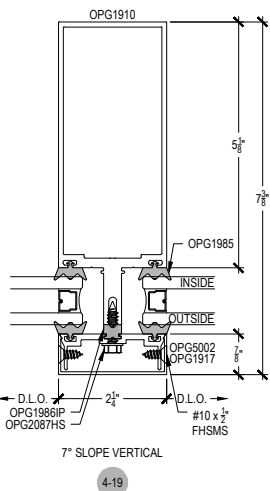
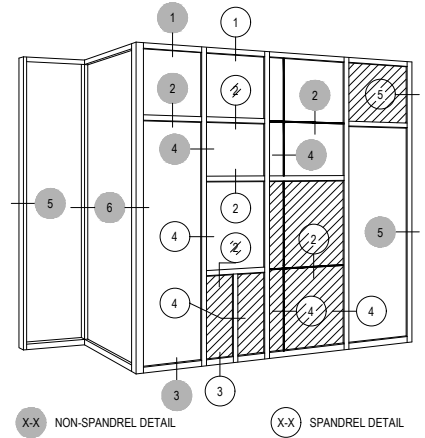
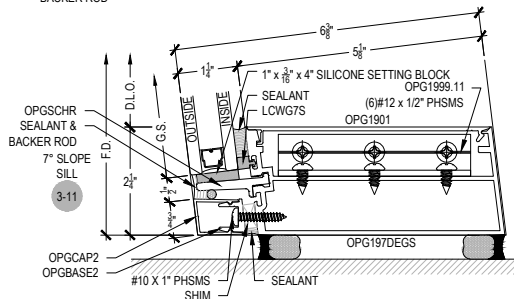
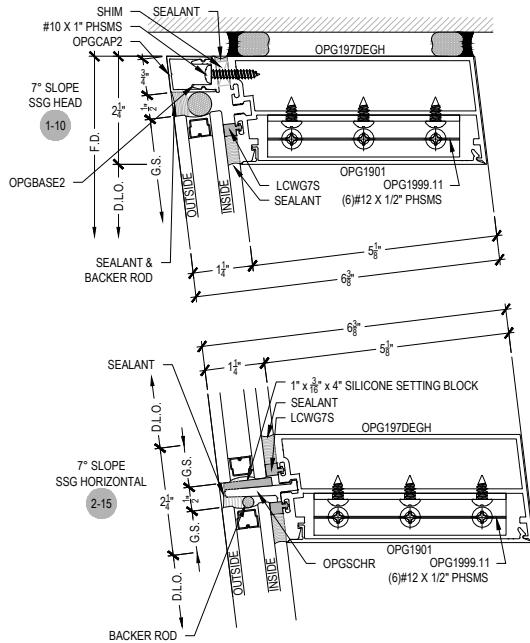
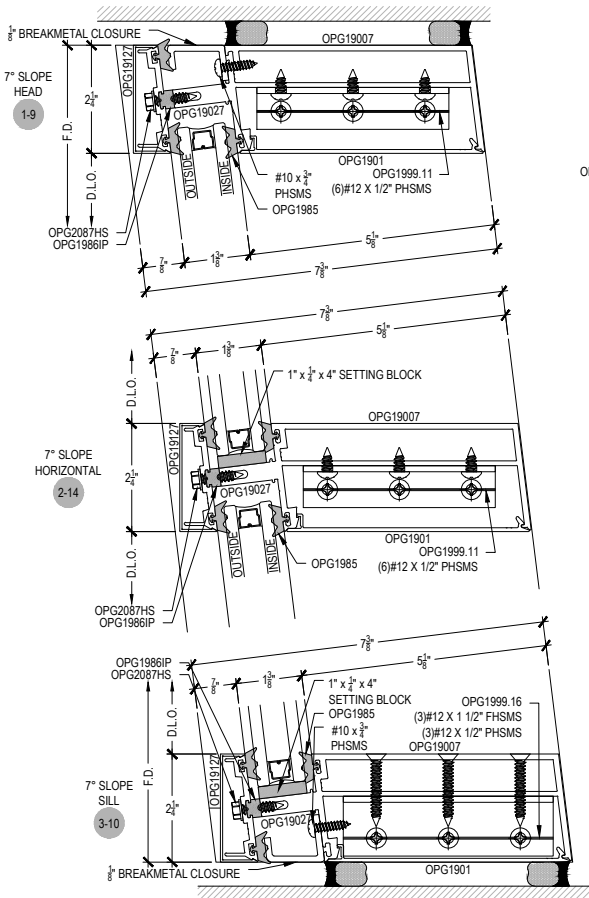
Description: 2 1/4" x 6 3/8" & 7 3/8" Glazed for 1" Glass

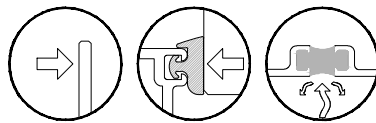
Function: Curtain Wall

Detail: 7° Sloped Wall

Scale: 3" = 1'-0"

SHEET 7 OF 14





Offset Glazed
Optional Projected Cover Caps Available

Side Load

Thermal

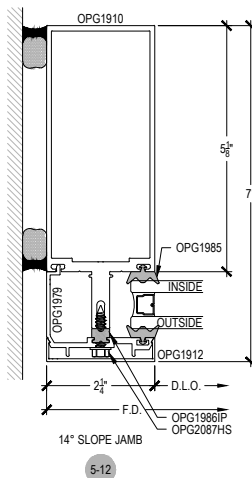
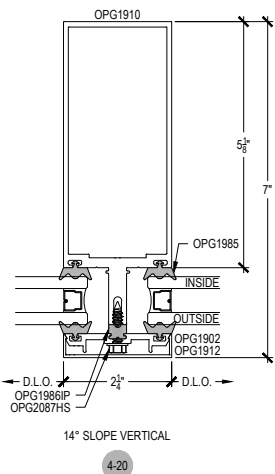
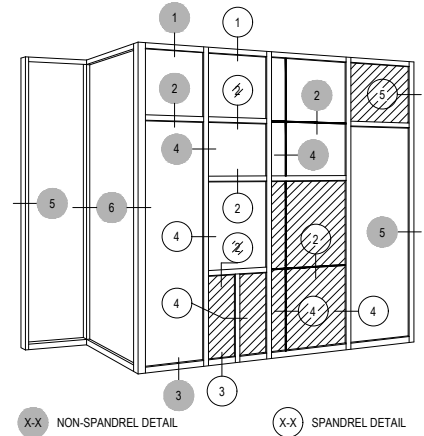
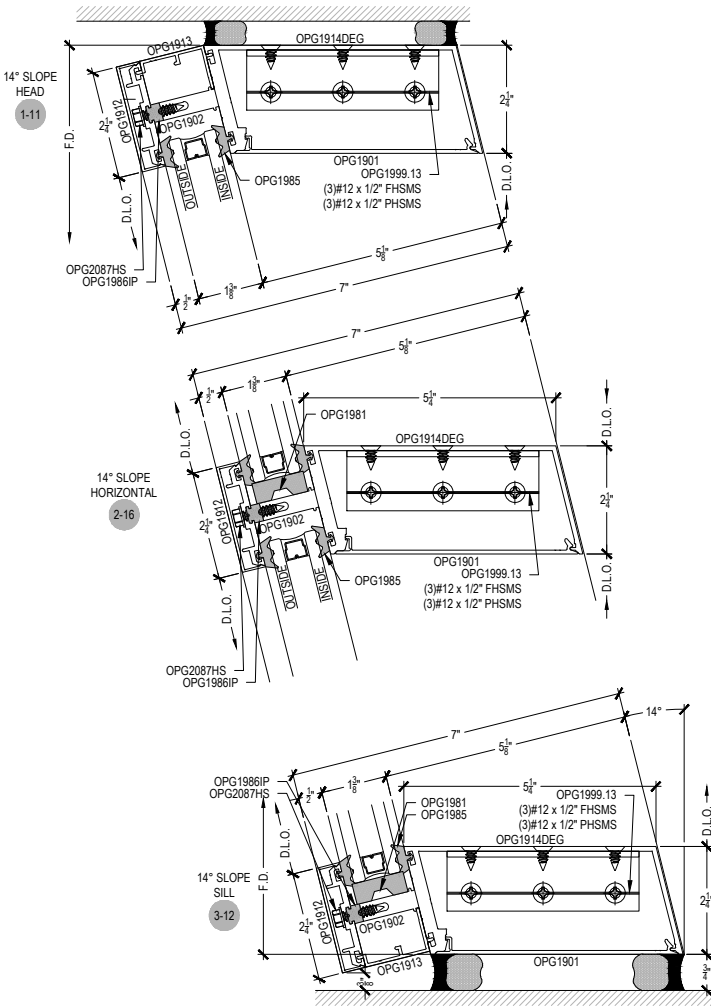
T500 (OPG1900) Series

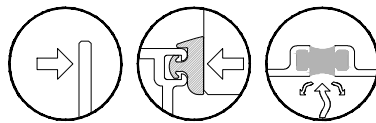
Description: 2 1/4" x 7" Glazed for 1" Glass

Function: Curtain Wall

Detail: 14° Slope Wall

Scale: 3" = 1'-0"





Offset Glazed
Optional Projected Cover Caps Available

Side Load

Thermal

T500 (OPG1900) Series

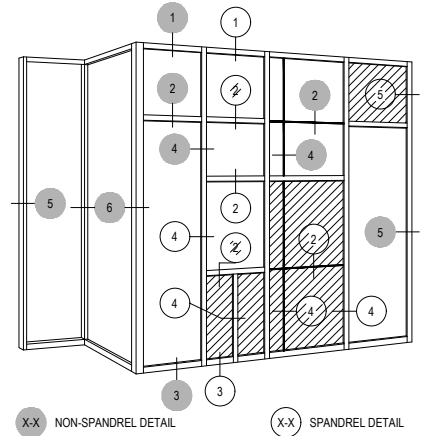
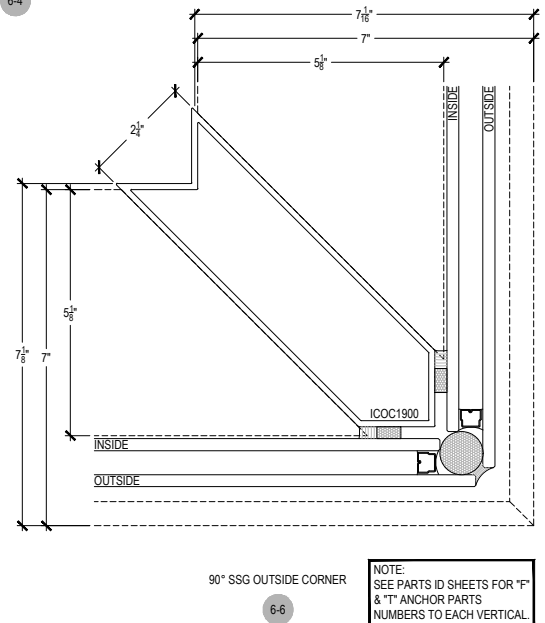
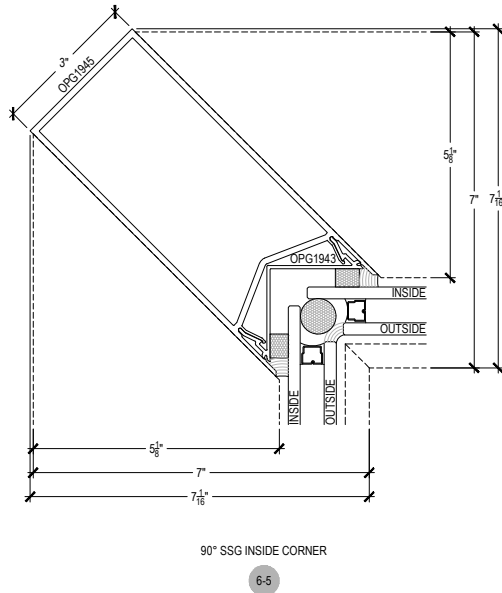
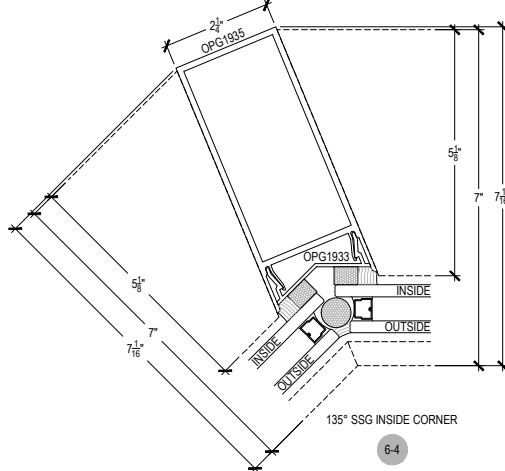
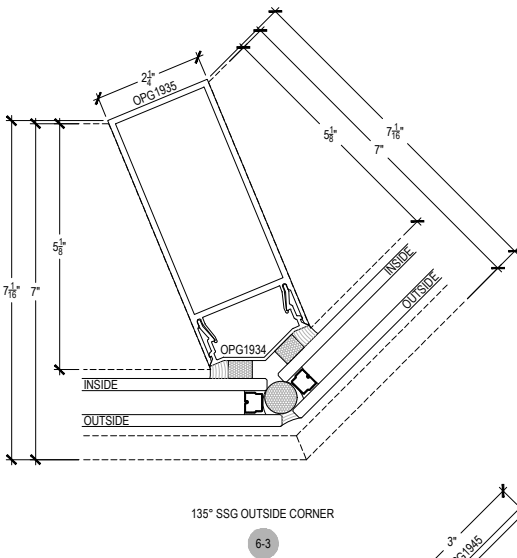
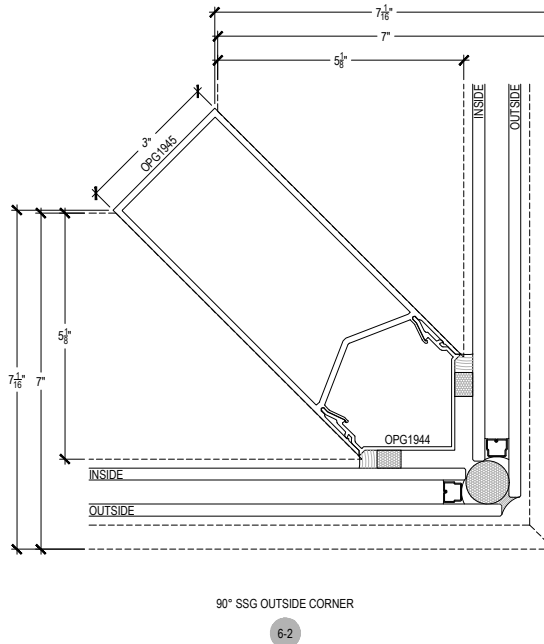
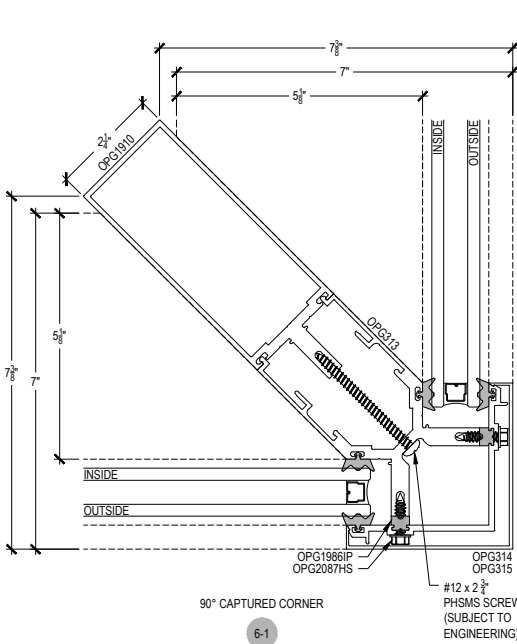
Description: 2 1/4" x 7" Glazed for 1/4" - 1-11/16" Glass

Function: Curtain Wall

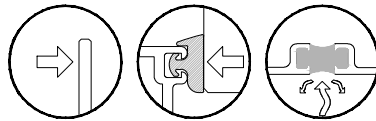
Detail: Corners

Scale: 3" = 1'-0"

SHEET 9 OF 14



NOTE:
SEE PARTS ID SHEETS FOR 'F'
& 'T' ANCHOR PARTS
NUMBERS TO EACH VERTICAL



Offset Glazed
Optional Projected Cover Caps Available

Side Load

Thermal

T500 (OPG1900) Series

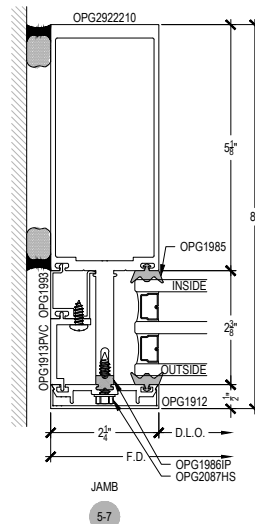
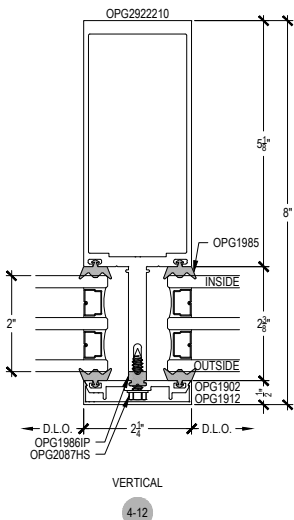
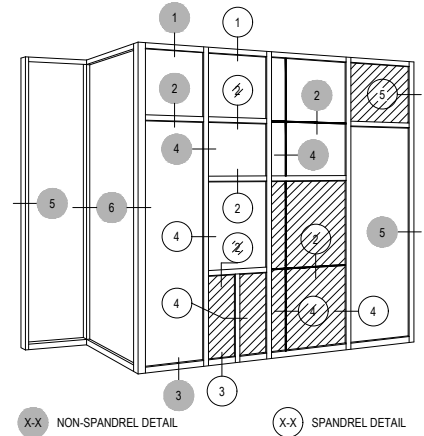
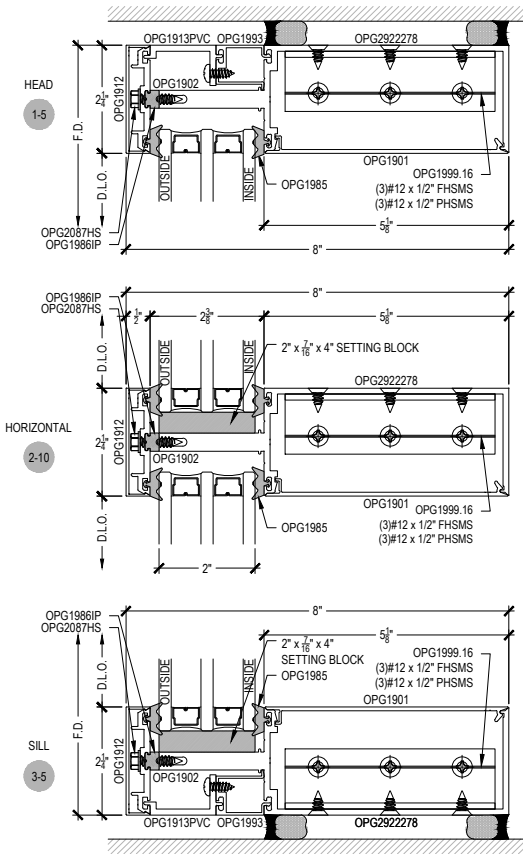
Description: 2 1/4" x 8" Glazed for 2" Glass

Function: Curtain Wall

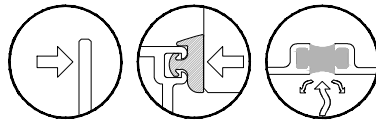
Detail: Horizontals & Verticals

Scale: 3" = 1'-0"

SHEET 10 OF 14



NOTE:
SEE PARTS ID SHEETS FOR "F"
& "T" ANCHOR PARTS
NUMBERS TO EACH VERTICAL



Offset Glazed Side Load Thermal
Optional Projected Cover Caps Available

T500 (OPG1900) Series

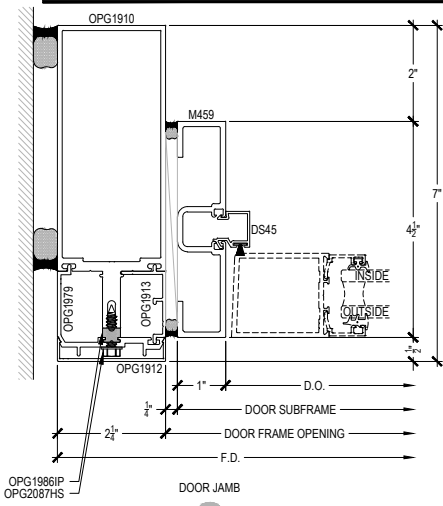
Description: 2 1/4" x 7" Glazed for 1/4" - 1-11/16" Glass

Function: Curtain Wall

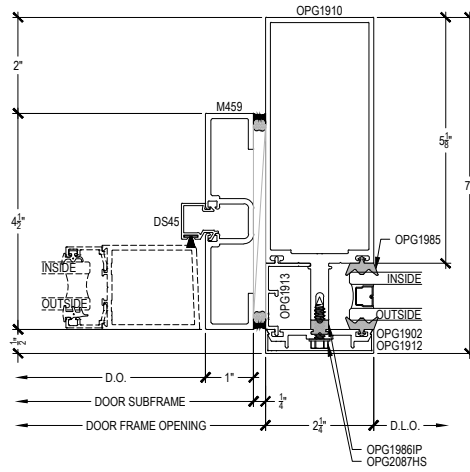
Detail: Offset Hung Doors

Scale: 3" = 1'-0"

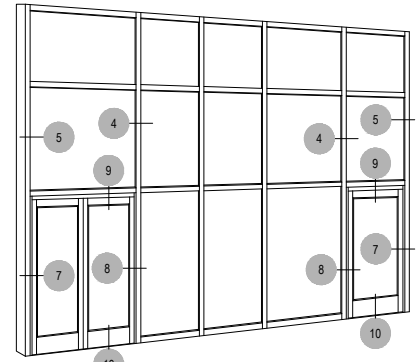
SHEET 11 OF 14



7-1

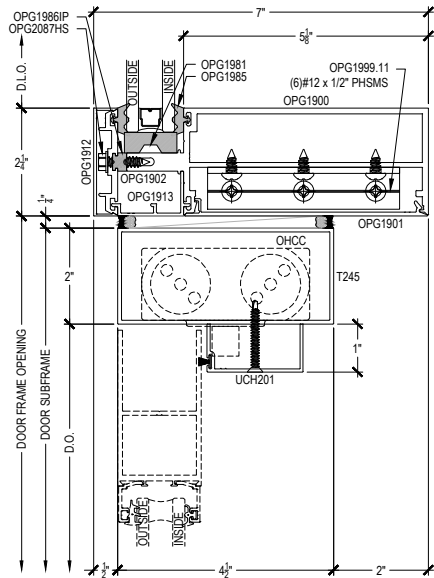


8-1



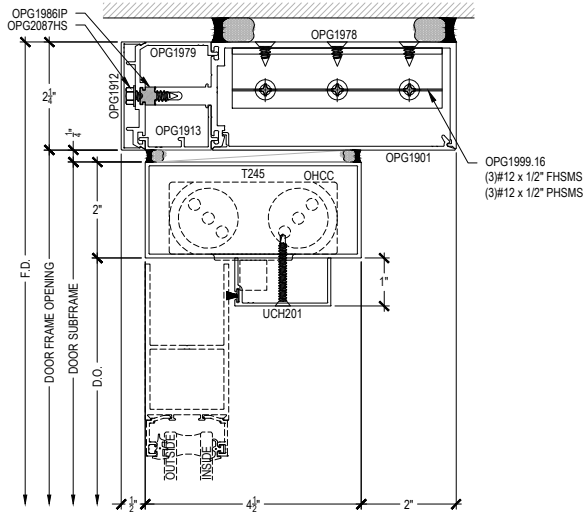
X-X NON-SPANDREL DETAIL

O-X SPANDREL DETAIL



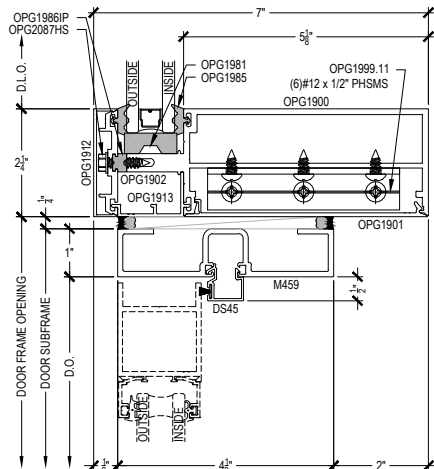
DOOR HEADER
CONCEALED CLOSER

9-1



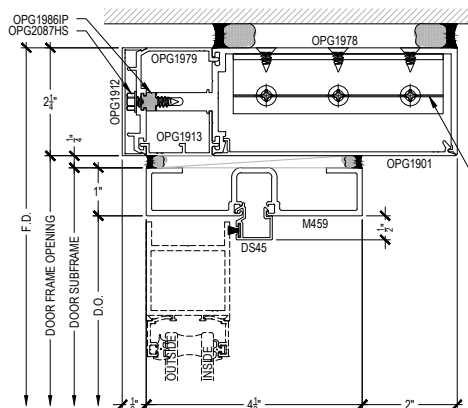
DOOR HEADER
CONCEALED CLOSER
@ PUNCHED OPENING

11-1



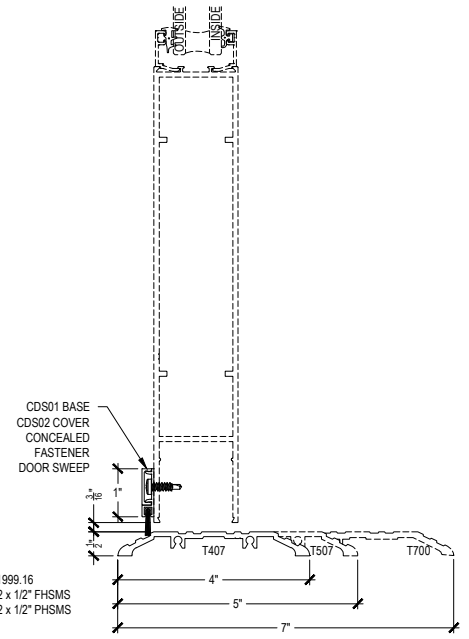
DOOR HEADER
SURFACE CLOSER

9-2



DOOR HEADER
SURFACE CLOSER
@ PUNCHED OPENING

11-2



OPTIONAL THRESHOLDS
@ OFFSET HUNG DOOR

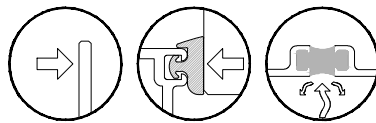
10-1

10-2

10-3

NOTE:
SEE PARTS ID SHEETS FOR "F"
& "T" ANCHOR PARTS
NUMBERS TO EACH VERTICAL.

NOTE:
FOR ALL DOOR OPTIONS SEE
THE ENTRANCE SECTION OF
ARCADIA, INC. WEBSITE.



Offset Glazed Side Load Thermal
Optional Projected Cover Caps Available

T500 (OPG1900) Series

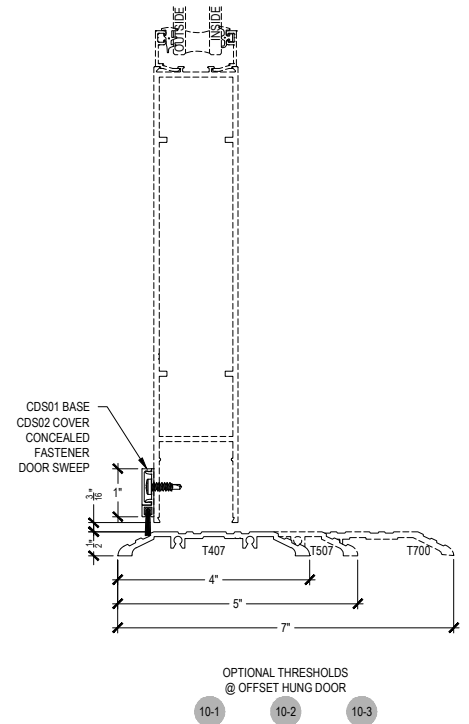
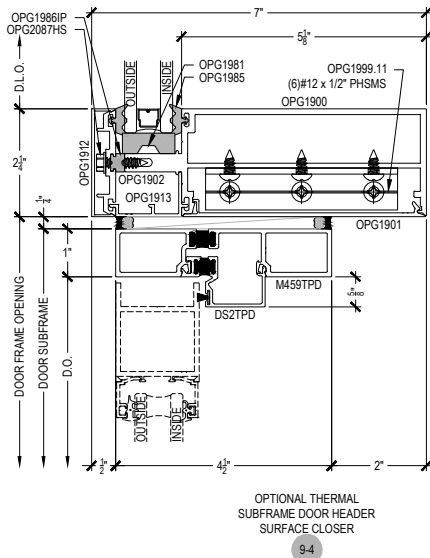
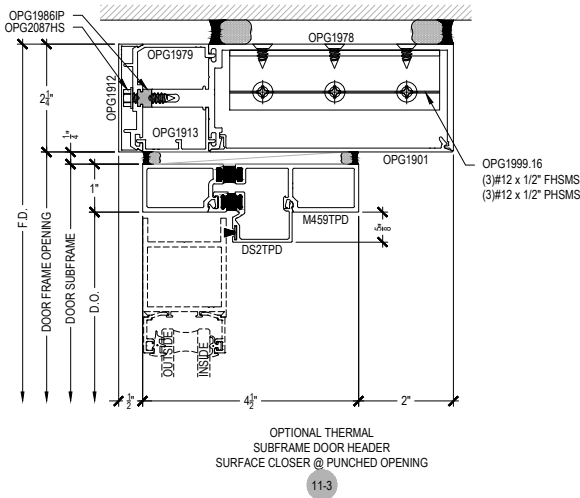
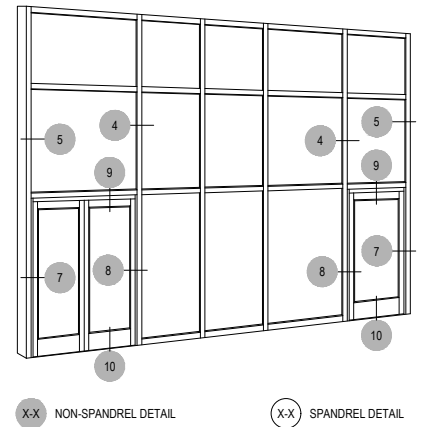
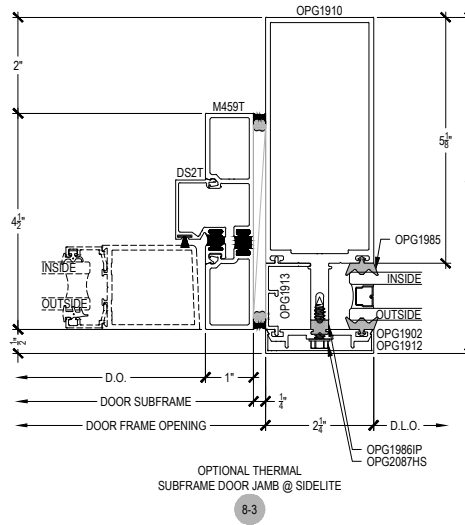
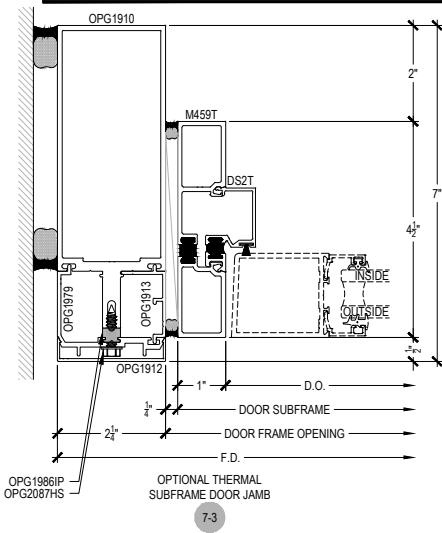
Description: 2 1/4" x 7" Glazed for 1/4" - 1-11/16" Glass

Function: Curtain Wall

Detail: Offset Hung Doors & Options

Scale: 3" = 1'-0"

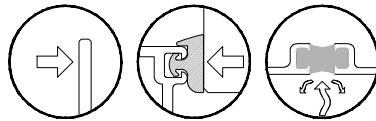
SHEET 12 OF 14



NOTE:
TYPICAL VERTICALS & HORIZONTALS SHOWN IN DOOR DETAILS. OPTIONAL TO CHANGE OUT FOR PROJECT SPECIFIC NEEDS.

NOTE:
SEE PARTS ID SHEETS FOR "F" & "T" ANCHOR PARTS

NOTE:
FOR ALL DOOR OPTIONS SEE THE ENTRANCE SECTION OF ARCADIA, INC. WEBSITE.



Offset Glazed
Optional Projected Cover Caps Available

Side Load

Thermal

T500 (OPG1900) Series

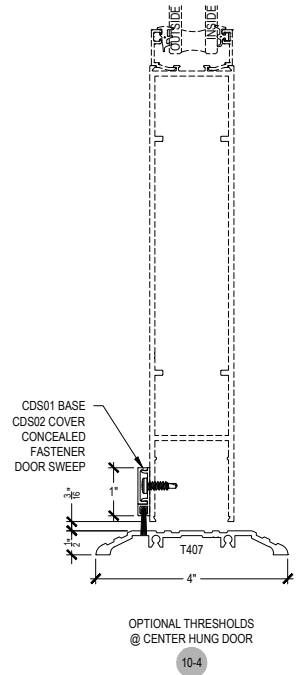
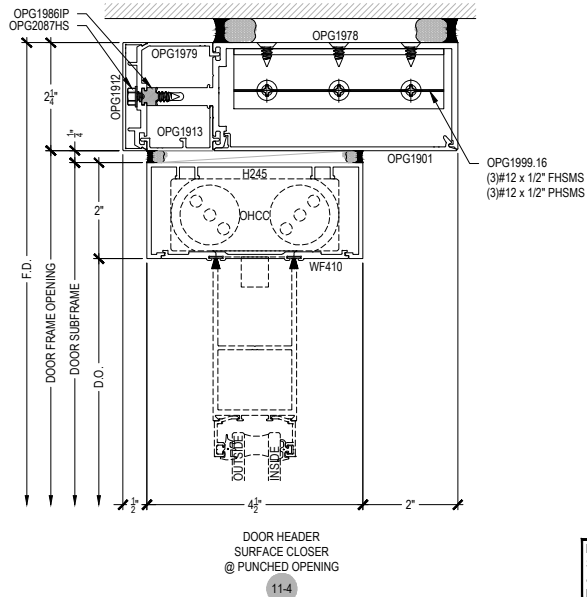
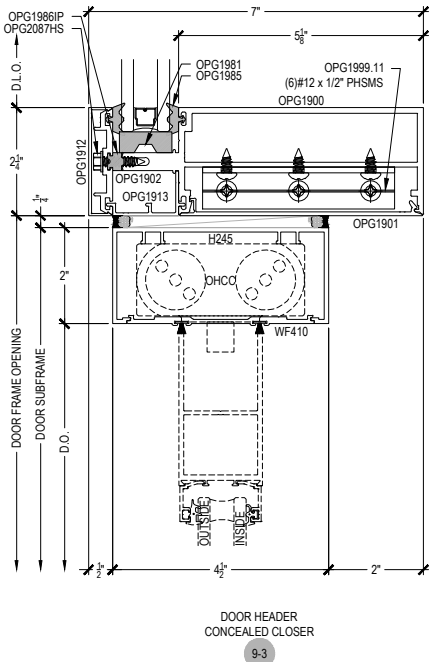
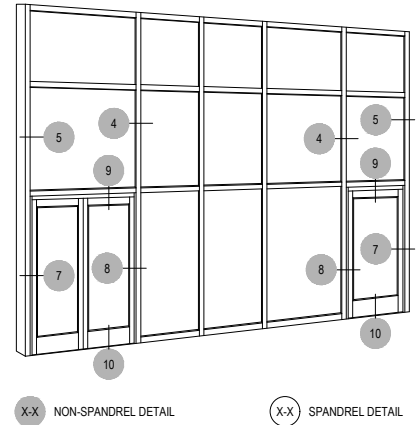
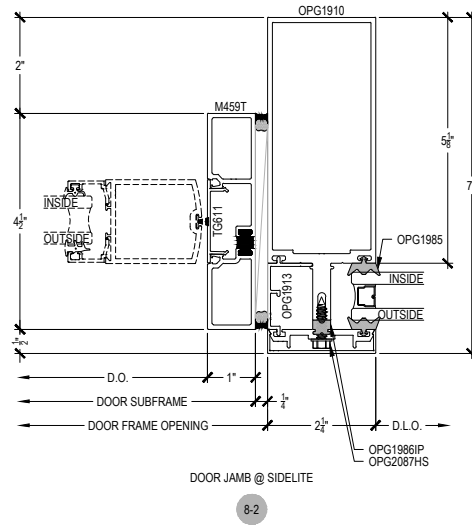
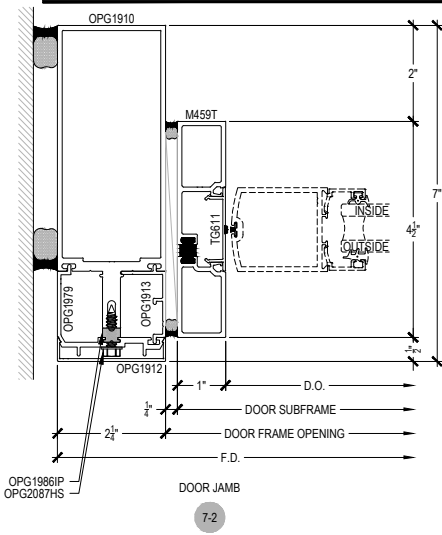
Description: 2 1/4" x 7" Glazed for 1/4" - 1-11/16" Glass

Function: Curtain Wall

Detail: Center Hung Doors

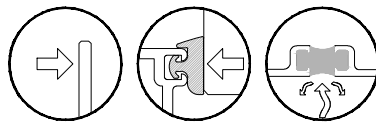
Scale: 3" = 1'-0"

SHEET 13 OF 14



NOTE:
SEE PARTS ID SHEETS FOR "F" & "T" ANCHOR PARTS

NOTE:
FOR ALL DOOR OPTIONS SEE THE ENTRANCE SECTION OF ARCADIA, INC. WEBSITE.



Offset Glazed
Optional Projected Cover Caps Available

Side Load

Thermal

T500 (OPG1900) Series

Description: 2 1/4" x 7" Glazed for 1/4" - 1-11/16" Glass

Function: Curtain Wall

Detail: Optional Glazing

Scale: 3" = 1'-0"

SHEET 14 OF 14

